

---

# REPLACEMENT PARTS MANUAL

---

## Electric Heat Packages

### Models:

EHCH036A-A05	EHCH048A-A05	EHCH060A-B09	EHVH060ADR15
EHCH036A-A10	EHCH048A-A10	EHCH060A-B15	EHWH042A-A05
EHCH036A-A15	EHCH048A-A15	EHCH060A-C05	EHWH042A-A10
EHCH036A-B05	EHCH048A-B05	EHCH060A-C09	EHWH042A-A15
EHCH036A-B09	EHCH048A-B09	EHCH060A-C15	EHWH042A-B05
EHCH036A-B15	EHCH048A-B15	EHVH036A-R05	EHWH048A-A04
EHCH036A-C05	EHCH048A-C05	EHVH036A-R10	EHWH048A-A05
EHCH036A-C09	EHCH048A-C09	EHVH036A-S05	EHWH048A-A10
EHCH036A-C15	EHCH048A-C15	EHVH036A-S09	EHWH048A-A15
EHCH042A-A05	EHCH060A-A05	EHVH036A-S15	EHWH060A-A10
EHCH042A-A10	EHCH060A-A10	EHVH036ADS09	EHWH060A-A15
EHCH042A-B05	EHCH060A-A15	EHVH060A-S05	EHWH060A-B15
EHCH042A-B09	EHCH060A-A20	EHVH060ADR05	
EHCH042A-B15	EHCH060A-B05	EHVH060ADR10	

---

## Contents

Description	Page
Functional Components	
♦ Layout View .....	2
♦ Usage List .....	3
♦ Usage List .....	4
♦ Usage List .....	5

## General Notes

- Revised and/or additional pages may be issued from time to time.
- A complete and current manual consists of pages shown in the following contents section.

## Important

- Contact the installing and/or local Bard distributor for all parts requirements. Make sure to have the complete model and serial number available from the unit rating plates.



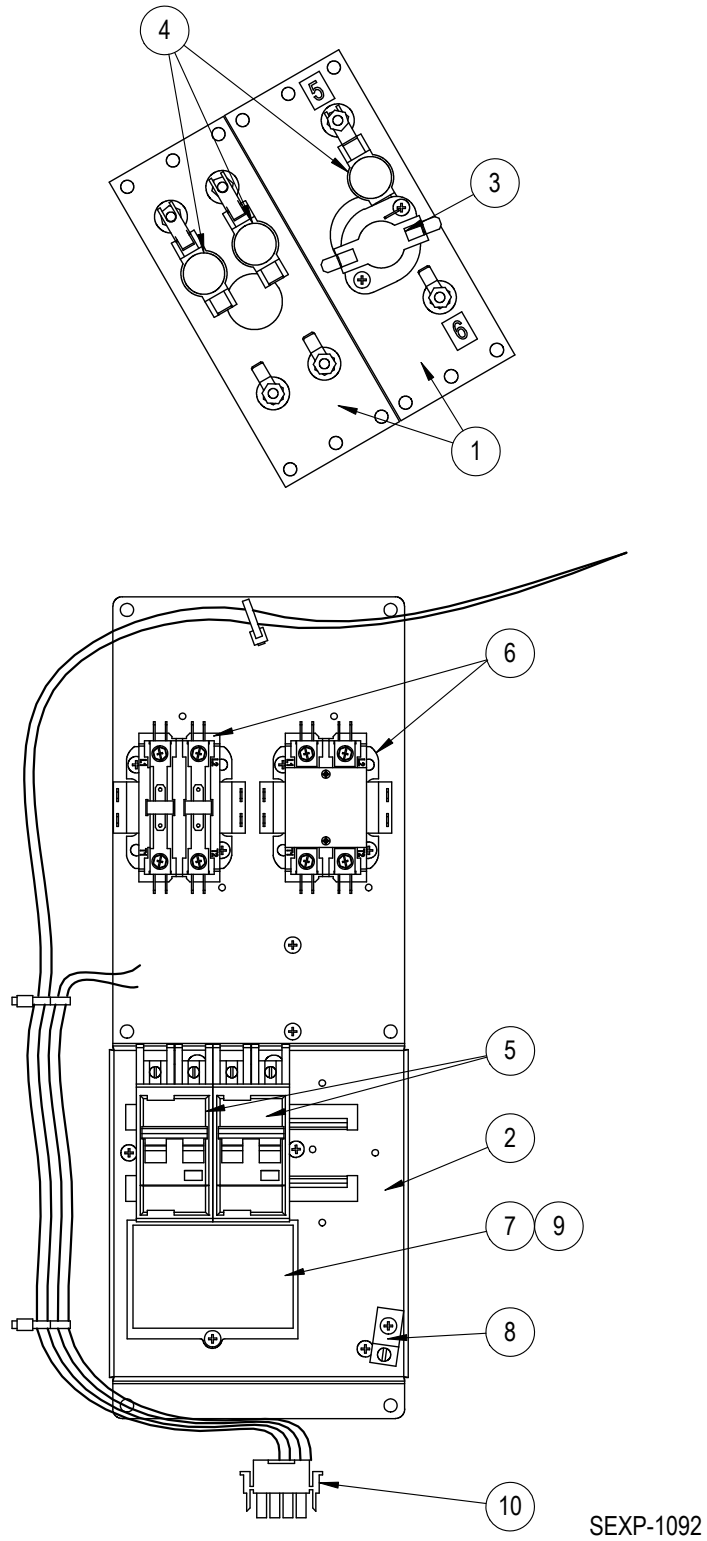
Climate Control Solutions

Bard Manufacturing Company, Inc.  
Bryan, Ohio 43506  
www.bardhvac.com

Manual: 2110-631C  
Supersedes: 2110-631B  
Date: 10-23-23

# FUNCTIONAL COMPONENTS

---



# FUNCTIONAL COMPONENTS

Dwg. No.	Part No.	Description	EHCH036A-A05	EHCH036A-A10	EHCH036A-A15	EHCH036A-B05	EHCH036A-B09	EHCH036A-B15	EHCH042A-A05	EHCH042A-A10	EHCH042A-B05	EHCH042A-B09	EHCH048A-A05	EHCH048A-A10	EHCH048A-A15	EHCH060A-A05	EHCH060A-A10	EHCH060A-A15	EHCH060A-A20
1	8604-116BX	HEAT STRIP 10KW 240V 4 TERM		X	X				X				X	X		X	X		2
1	8604-118BX	HEAT STRIP 5KW 240V 2 TERM L	X		X				X				X		X	X			
1	8604-121BX	HEAT STRIP 9KW 240V 3 TERM L				X	X				X								
1	8604-126BX	HEAT STRIP 6KW 240V 3 TERM L						X											
1	8604-164BX	HEAT STRIP 5KW 240V 3 TERM L				X					X								
2	127-575BX	HEATER CONTROL BASE	X	X	X	X	X	X	X	X	X	X	X	X	X	X	X	X	X
3	8402-222BX	LIMIT CONTROL L150-5.5											X			X	X	X	X
3	8402-225BX	LIMIT CONTROL L170-8.0	X			X			X		X								
3	8402-226BX	LIMIT CONTROL L180-8.0			X								X	X					
3	8402-227BX	LIMIT CONTROL L190-8.0		X		X	X		X		X								
4	8402-094BX	LIMIT CONTROL 210 DEG ONESHOT											1	2				3	
4	8402-098BX	LIMIT CONTROL 200 DEG ONE SHOT				2			1		2						2		
4	8402-128BX	LIMIT CONTROL 220 DEG ONESHOT		2	3		2	4		2		2			3				4
4	8402-230BX	LIMIT CONTROL 185 DEG ONESHOT														1			
4	8402-231BX	LIMIT CONTROL 208 DEG ONESHOT	1																
5	8615-037BX	CIRCUIT BREAKER 30A 2-POLE		X												X			
5	8615-038BX	CIRCUIT BREAKER 35A 2-POLE			X					X									
5	8615-039BX	CIRCUIT BREAKER 45A 2-POLE														X	X	X	
5	8615-040BX	CIRCUIT BREAKER 50A 2-POLE	X																
5	8615-041BX	CIRCUIT BREAKER 60A 2-POLE		X	X				X	X			X	X	X		X	X	2
5	8615-042BX	CIRCUIT BREAKER 35A 3-POLE				X													
5	8615-044BX	CIRCUIT BREAKER 45A 3-POLE					X				X								
5	8615-045BX	CIRCUIT BREAKER 50A 3-POLE						X											
5	8615-046BX	CIRCUIT BREAKER 60A 3-POLE										X							
5	8615-055BX	CIRCUIT BREAKER 40A 2POLE											X	X					
6	8401-002BX	CONTACTOR 3-POLE 25 AMP				1	1	2			1	1							
6	8401-006BX	CONTACTOR 2-POLE 20 AMP	1		1				1				1		1		1		1
6	8401-025BX	CONTACTOR 2-POLE 40 AMP		1	1					1				1	1		1	1	2
7	8615-047BX	JUMPER BAR BASE 4 POLE		X	X				X				X	X	X	X	X	X	X
8	8611-006	TERMINAL	X	X	X	X	X	X	X	X	X	X	X	X	X	X	X	X	X
9	8615-049BX	JUMPER BAR COVER 4 POLE		X	X				X				X	X	X	X	X	X	X
10	3000-1787	WIRE ASSEMBLY	X	X		X	X		X	X	X	X	X	X		X	X		
10	3000-1788	WIRE ASSEMBLY			X			X							X			X	X
NS	4116-118	WIRING DIAGRAM	X						X				X						
NS	4116-119	WIRING DIAGRAM		X						X						X			
NS	4116-120	WIRING DIAGRAM			X								X				X		
NS	4116-121	WIRING DIAGRAM				X								X				X	
NS	4116-131	WIRING DIAGRAM																	X
NS	4116-218	WIRING DIAGRAM				X	X				X	X							
NS	4116-221	WIRING DIAGRAM						X											

NS – Not Shown

# FUNCTIONAL COMPONENTS

Dwg. No.	Part No.	Description	EHCH036A-C05	EHCH036A-C09	EHCH036A-C15	EHCH042A-B15	EHCH048A-B05	EHCH048A-B09	EHCH048A-B15	EHCH048A-C05	EHCH048A-C09	EHCH048A-C15	EHCH060A-B05	EHCH060A-B09	EHCH060A-B15	EHCH060A-C05	EHCH060A-C09	EHCH060A-C15	
1	8604-100BX	HEAT STRIP 6KW 480V 3-TERM			X							X							X
1	8604-101BX	HEAT STRIP 9KW 480V 3-TERM		X	X						X	X						X	X
1	8604-121BX	HEAT STRIP 9KW 240V 3 TERM L				X		X	X					X	X				
1	8604-126BX	HEAT STRIP 6KW 240V 3 TERM L				X			X						X				
1	8604-155BX	HEAT STRIP 5KW 480V 3-PH	X							X						X			
1	8604-159BX	HEAT STRIP 5KW 240V 3 TERM L					X						X						
2	127-575BX	HEATER CONTROL BASE				X	X	X	X				X	X	X				
2	127-585BX	HEATER CONTROL BASE	X	X	X					X	X	X				X	X	X	
3	8402-222BX	LIMIT CONTROL L150-5.5					X			X			X	X	X	X	X	X	X
3	8402-225BX	LIMIT CONTROL L170-8.0	X																
3	8402-226BX	LIMIT CONTROL L180-8.0						X	X		X	X							
3	8402-227BX	LIMIT CONTROL L190-8.0		X	X	X													
4	8402-094BX	LIMIT CONTROL 210 DEG ONESHOT					2	2	4	2	2	4							
4	8402-098BX	LIMIT CONTROL 200 DEG ONE SHOT	2																
4	8402-128BX	LIMIT CONTROL 220 DEG ONESHOT		2	4	4													
4	8402-230BX	LIMIT CONTROL 185 DEG ONESHOT											2	2	4	2	2	4	
5	8615-044BX	CIRCUIT BREAKER 45A 3-POLE					X												
5	8615-045BX	CIRCUIT BREAKER 50A 3-POLE											X						
5	8615-046BX	CIRCUIT BREAKER 60A 3-POLE				X		X	X					X	X				
5	8615-095BX	TOGGLE DISCONNECT	X	X	X					X	X	X				X	X	X	
5	8615-096	DISCONNECT COVER	X	X	X					X	X	X				X	X	X	
6	8401-002BX	CONTACTOR 3-POLE 25 AMP	1	1	2	2	1	1	2	1	1	2	1	1	2	1	1	2	
8	8611-006	TERMINAL	X	X	X	X	X	X	X	X	X	X	X	X	X	X	X	X	X
10	3000-1787	WIRE ASSEMBLY	X	X			X	X		X	X		X	X		X	X		
10	3000-1788	WIRE ASSEMBLY			X	X			X			X			X				X
NS	4116-218	WIRING DIAGRAM					X	X					X	X					
NS	4116-221	WIRING DIAGRAM				X			X						X				
NS	4116-318	WIRING DIAGRAM	X	X						X	X					X	X		
NS	4116-321	WIRING DIAGRAM			X							X							X

NS – Not Shown

## FUNCTIONAL COMPONENTS

Dwg. No.	Part No.	Description	EHVH036A-R05	EHVH036A-R10	EHVH036A-S05	EHVH036A-S09	EHVH036A-S15	EHVH036ADS09	EHVH060A-S05	EHVH060ADR05	EHVH060ADR10	EHVH060ADR15	EHWH042A-A05	EHWH042A-A10	EHWH042A-A15	EHWH042A-B05	EHWH048A-A04	EHWH048A-A05	EHWH048A-A10	EHWH048A-A15	EHWH060A-A10	EHWH060A-A15	EHWH060A-B15	
1	8604-116BX	HEAT STRIP 10KW 240V 4 TERM		X							X	X		X	X				X	X	X	X		
1	8604-118BX	HEAT STRIP 5KW 240V 2 TERM L	X							X		X	X		X			X		X		X		
1	8604-121BX	HEAT STRIP 9KW 240V 3 TERM L				X	X	X															X	
1	8604-126BX	HEAT STRIP 6KW 240V 3 TERM L					X																X	
1	8604-128BX	HEAT STRIP 4KW 240V 3 TERM															X							
1	8604-159BX	HEAT STRIP 5KW 240V 3 TERM L							X															
1	8604-164BX	HEAT STRIP 5KW 240V 3 TERM L			X											X								
2	127-575BX	HEATER CONTROL BASE	X	X	X	X	X	X	X	X	X	X	X	X	X	X	X	X	X	X	X	X	X	
3	8402-222BX	LIMIT CONTROL L150-5.5							X	X	X	X												
3	8402-225BX	LIMIT CONTROL L170-8.0	X		X								X			X	X	X				X	X	
3	8402-226BX	LIMIT CONTROL L180-8.0												X					X	X			X	
3	8402-227BX	LIMIT CONTROL L190-8.0	X		X	X	X						X											
4	8402-094BX	LIMIT CONTROL 210 DEG ONESHOT										3												
4	8402-098BX	LIMIT CONTROL 200 DEG ONE SHOT			2						2					2								
4	8402-128BX	LIMIT CONTROL 220 DEG ONESHOT	2		2	4	2							2	3					2	3	2	3	4
4	8402-230BX	LIMIT CONTROL 185 DEG ONESHOT							2	1														
4	8402-231BX	LIMIT CONTROL 208 DEG ONESHOT	1										1					1	1					
5	8615-037BX	CIRCUIT BREAKER 30A 2-POLE							X									X						
5	8615-038BX	CIRCUIT BREAKER 35A 2-POLE		X																				
5	8615-039BX	CIRCUIT BREAKER 45A 2-POLE																X	X	X	X	X		
5	8615-040BX	CIRCUIT BREAKER 50A 2-POLE								X	X	X												
5	8615-041BX	CIRCUIT BREAKER 60A 2-POLE	X	X							X	X	X	X	X		X		X	X	X	X		
5	8615-043BX	CIRCUIT BREAKER 40A 3-POLE			X											X								
5	8615-044BX	CIRCUIT BREAKER 45A 3-POLE						X																
5	8615-045BX	CIRCUIT BREAKER 50A 3-POLE				X																		
5	8615-046BX	CIRCUIT BREAKER 60A 3-POLE					X	X															X	
5	8615-055BX	CIRCUIT BREAKER 40A 2POLE												X	X									
6	8401-002BX	CONTACTOR 3-POLE 25AMP			1	1	2	1	1							1							2	
6	8401-006BX	CONTACTOR 2-POLE 20 AMP	1							1		1	1		1		1	1		1	1	1	1	
6	8401-025BX	CONTACTOR 2-POLE 40 AMP		1							1	1		1	1					1	1	1	1	
7	8615-047BX	JUMPER BAR BASE 4 POLE		X						X	X	X		X	X				X	X	X	X		
8	8611-006	TERMINAL	X	X	X	X	X	X	X	X	X	X	X	X	X	X	X	X	X	X	X	X	X	
9	8615-049BX	JUMPER BAR COVER 4 POLE		X						X	X	X		X	X				X	X	X	X		
10	3000-1787	WIRE ASSEMBLY	X	X	X	X		X	X	X	X		X	X		X	X	X	X		X			
10	3000-1788	WIRE ASSEMBLY					X					X			X						X		X	
NS	4116-118	WIRING DIAGRAM	X										X				X							
NS	4116-119	WIRING DIAGRAM								X								X						
NS	4116-120	WIRING DIAGRAM		X							X			X						X		X		
NS	4116-121	WIRING DIAGRAM										X			X						X		X	
NS	4116-218	WIRING DIAGRAM			X	X		X	X							X								
NS	4116-221	WIRING DIAGRAM					X																X	

NS – Not Shown