

---

# REPLACEMENT PARTS MANUAL

---

## Wall Mount Air Conditioner

Models:

W42AY-A	W48AY-A	W60AY-A	W72AY-A
W42AY-B	W48AY-B	W60AY-B	W72AY-B
W42AY-C	W48AY-C	W60AY-C	W72AY-C
W42AY-E	W48AY-E	W60AY-E	W72AY-F
W42AY-F	W48AY-F	W60AY-F	W72AYDA
W42AYDA	W48AYDA	W60AYDA	W72AYDB
W42AYDB	W48AYDB	W60AYDB	W72AYDC
W42AYDC	W48AYDC	W60AYDC	W72AYRC
W42AYRC	W48AYRC	W60AYRC	

---

### Contents

Description	Page
External Parts – Standard & Dehum.	
♦ Exploded View .....	2
♦ Usage List .....	3
♦ Usage List .....	4
External Parts – Recessed Cabinet	
♦ Exploded View .....	6
♦ Usage List .....	7
Internal Parts – Standard & Dehum.	
♦ Exploded View .....	8
♦ Usage List .....	9
♦ Usage List .....	10
Functional Components – Standard & Dehum.	
♦ Exploded View .....	12
♦ Usage List .....	13
♦ Usage List .....	14
EEV Controller Assembly	
♦ Exploded View .....	15
♦ Usage List .....	15

Description	Page
Control Panel – Standard & Dehum.	
♦ Layout View .....	16
♦ Usage List .....	17
♦ Usage List .....	18
Blower Assembly	
♦ Exploded View .....	19
♦ Usage List .....	19

### General Notes

- Revised and/or additional pages may be issued from time to time.
- A complete and current manual consists of pages shown in the following contents section.

### Important

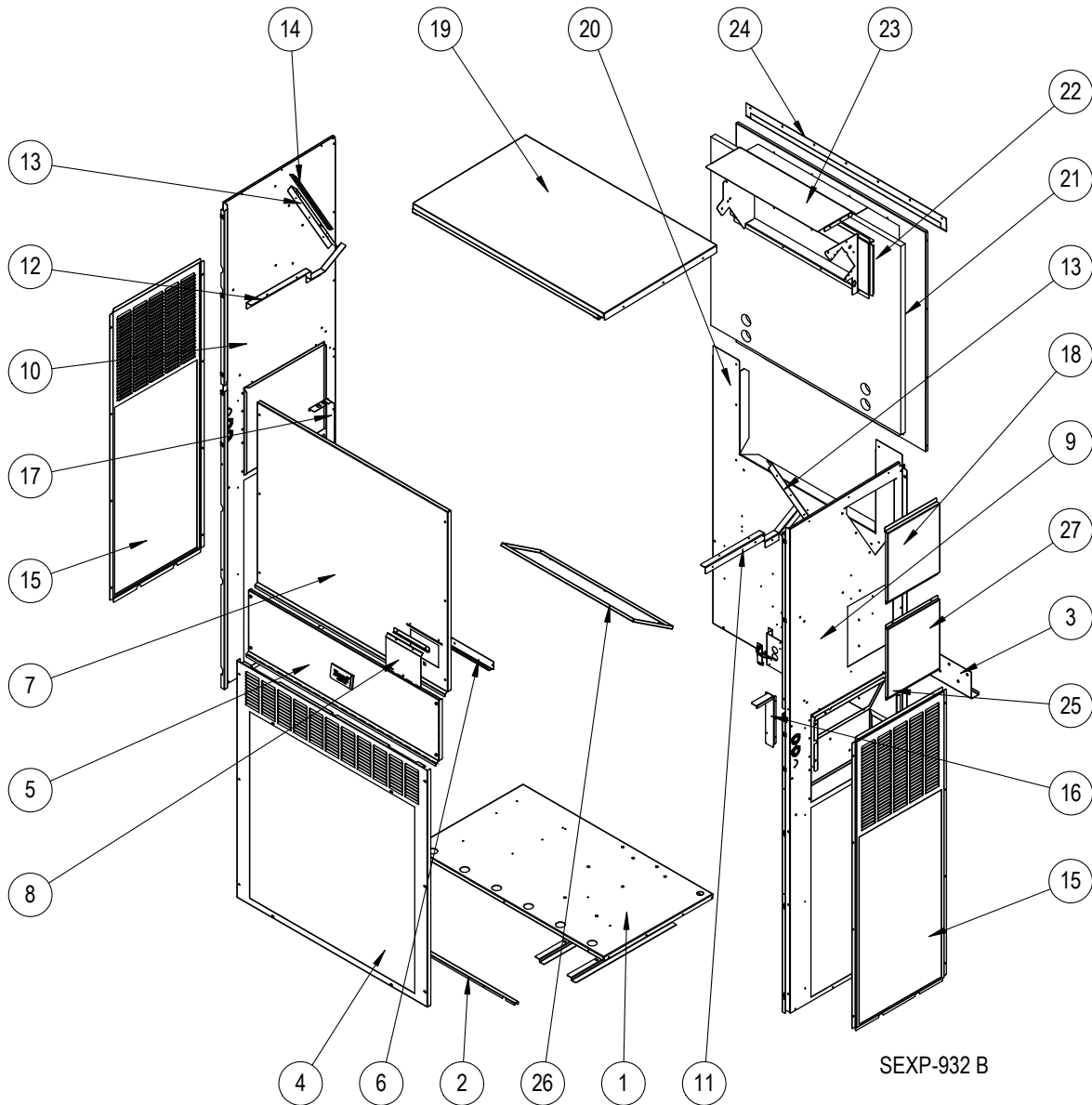
- Contact the installing and/or local Bard distributor for all parts requirements. Make sure to have the complete model and serial number available from the unit rating plates.



Bard Manufacturing Company, Inc.  
Bryan, Ohio 43506  
www.bardhvac.com

Manual: 2110-1470B  
Supersedes: 2110-1470A  
Date: 1-2-24

# EXTERNAL PARTS – STANDARD & DEHUMIDIFICATION



This drawing to be used for reference for pages 3 and 4

## EXTERNAL PARTS – STANDARD & DEHUMIDIFICATION

Dwg No.	Part Number	Description	W42AY-A, B, C, E, F, RC	W42AYDA, B, C	W48AY-A, B, C, E, F, RC	W48AYDA, B, C
1	127-574BX	Unit Base	X	X	X	X
1	127-584BX ③	Unit Base	0	0	0	0
2	113-762BX	Front Base Bracket	X	X	X	X
2	113-797BX ③	Front Base Bracket	0	0	0	0
3	113-140BX	Bottom Mounting Bracket	X	X	X	X
4	119-125-*BX ①	Front Grille	X	X	X	X
4	119-148BX ②	Front Grille	0	0	0	0
4	119-135BX ③	Front Grille	0	0	0	0
5	533-301-*BX ①	Control Panel Cover (Outer)	X	X	X	X
5	533-309BX ②	Control Panel Cover (Outer)	0	0	0	0
5	533-310BX ③	Control Panel Cover (Outer)	0	0	0	0
6	165-608-*BX ①	Rain Channel	X	X	X	X
6	165-609BX ②	Rain Channel	0	0	0	0
6	165-610BX ③	Rain Channel	0	0	0	0
7	515-323-*BX ①	Upper Front	X	X	X	X
7	515-328BX ②	Upper Front	0	0	0	0
7	515-330BX ③	Upper Front	0	0	0	0
8	153-717-*BX ①	Disconnect Access Door	X	X	X	X
8	153-723BX ②	Disconnect Access Door	0	0	0	0
8	153-724BX ③	Disconnect Access Door	0	0	0	0
9	501-1127-*BX ①	Right Side	X	X	X	X
9	501-1128BX ②	Right Side	0	0	0	0
9	501-1129BX ③	Right Side	0	0	0	0
10	501-1054-*BX ①	Left Side	X	X	X	X
10	501-1073BX ②	Left Side	0	0	0	0
10	501-1077BX ③	Left Side	0	0	0	0
11	105X1454BX	Right Support Angle	X	X	X	X
12	105Y1454BX	Left Support Angle	X	X	X	X
13	105-1457BX	Coil Support	2	2	2	2
14	147-055BX	Coil Support Offset	X	X	X	X
15	119-126-*BX ①	Side Grille	2	2	2	2
15	119-142BX ②	Side Grille	2	2	2	2
15	119-136BX ③	Side Grille	2	2	2	2
16	105-1450BX	Right Control Panel Angle	X	X	X	X
17	105-1451BX	Left Control Panel Angle	X	X	X	X
18	543-221-*BX ①	Heater Access Cover	X	X	X	X
18	543-228BX ②	Heater Access Cover	0	0	0	0
18	543-229BX ③	Heater Access Cover	0	0	0	0
19	507-382-*BX ①	Top	X	X	X	X
19	507-391BX ②	Top	0	0	0	0
19	507-392BX ③	Top	0	0	0	0
20	109-412BX	Lower Back	X	X	X	X
20	109-418BX ②	Lower Back	0	0	0	0
20	109-422BX ③	Lower Back	0	0	0	0
21	509-411BX	Upper Back	X	X	X	X
21	509-417BX ②	Upper Back	0	0	0	0
21	509-421BX ③	Upper Back	0	0	0	0
22	111-299BX	Outlet Air Frame Assembly	X	X	X	X
23	535-129BX	Heat Shield	X	X	X	X
24	113-150-*BX ①	Top Rain Flashing	X	X	X	X
24	113-150-4BX ②	Top Rain Flashing	0	0	0	0
24	113-359BX ③	Top Rain Flashing	0	0	0	0
25	539-406BX	Fresh Air Damper Assembly	X	X	X	X
25	543-222BX	Intake Blank Off Plate	0	0	0	0
26	543-220BX	Exhaust Blank Off Plate	X	X	X	X
27	543-248-*BX ①	Access Cover	X	X	X	X
27	543-250BX ②	Access Cover	0	0	0	0
27	543-251BX ③	Access Cover	0	0	0	0
NS	5252-033BX	Bard Nameplate	X	X	X	X

① Exterior cabinet parts are manufactured with various paint color options. To ensure the proper paint color is received, include the complete model and serial number of the unit for which cabinet parts are being ordered.

X – Standard Component  
0 – Optional Component

② Exterior cabinet parts are manufactured from aluminum Code "A". #24 - Top rain flashing not available in aluminum; order 113-150-4 (Buckeye Gray).

③ Exterior cabinet parts are manufactured from stainless steel Code "S"

# EXTERNAL PARTS – STANDARD & DEHUMIDIFICATION

Dwg No.	Part Number	Description	W60AY-A, B, C, E, F, RC	W60AYDA, B, C	W72AY-A, B, C, F, RC	W72AYDA, B, C
1	127-574BX	Unit Base	X	X	X	X
1	127-584BX ③	Unit Base	0	0	0	0
2	113-762BX	Front Base Bracket	X	X	X	X
2	113-797BX ③	Front Base Bracket	0	0	0	0
3	113-140BX	Bottom Mounting Bracket	X	X	X	X
4	119-127-*BX ①	Front Grille	X	X	X	X
4	119-149BX ②	Front Grille	0	0	0	0
4	119-137BX ③	Front Grille	0	0	0	0
5	533-301-*BX ①	Control Panel Cover (Outer)	X	X	X	X
5	533-309BX ②	Control Panel Cover (Outer)	0	0	0	0
5	533-310BX ③	Control Panel Cover (Outer)	0	0	0	0
6	165-608-*BX ①	Rain Channel	X	X	X	X
6	165-609BX ②	Rain Channel	0	0	0	0
6	165-610BX ③	Rain Channel	0	0	0	0
7	515-324-*BX ①	Upper Front	X	X	X	X
7	515-329BX ②	Upper Front	0	0	0	0
7	515-331BX ③	Upper Front	0	0	0	0
8	153-717-*BX ①	Disconnect Access Door	X	X	X	X
8	153-723BX ②	Disconnect Access Door	0	0	0	0
8	153-724BX ③	Disconnect Access Door	0	0	0	0
9	501-1130-*BX ①	Right Side	X	X	X	X
9	501-1131BX ②	Right Side	0	0	0	0
9	501-1132BX ③	Right Side	0	0	0	0
10	501-1056-*BX ①	Left Side	X	X	X	X
10	501-1075BX ②	Left Side	0	0	0	0
10	501-1079BX ③	Left Side	0	0	0	0
11	105X1454BX	Right Support Angle	X	X	X	X
12	105Y1454BX	Left Support Angle	X	X	X	X
13	105-1455BX	Coil Support	2	2	2	2
14	147-054BX	Coil Support Offset	X	X	X	X
15	119-128-*BX ①	Side Grille	2	2	2	2
15	119-143BX ②	Side Grille	2	2	2	2
15	119-138BX ③	Side Grille	2	2	2	2
16	105-1450BX	Right Control Panel Angle	X	X	X	X
17	105-1451BX	Left Control Panel Angle	X	X	X	X
18	543-221-*BX ①	Heater Access Cover	X	X	X	X
18	543-228BX ②	Heater Access Cover	0	0	0	0
18	543-229BX ③	Heater Access Cover	0	0	0	0
19	507-382-*BX ①	Top	X	X	X	X
19	507-391BX ②	Top	0	0	0	0
19	507-392BX ③	Top	0	0	0	0
20	109-414BX	Lower Back	X	X	X	X
20	109-420BX ②	Lower Back	0	0	0	0
20	109-424BX ③	Lower Back	0	0	0	0
21	509-413BX	Upper Back	X	X	X	X
21	509-419BX ②	Upper Back	0	0	0	0
21	509-423BX ③	Upper Back	0	0	0	0
22	111-299BX	Outlet Air Frame Assembly	X	X	X	X
23	535-129BX	Heat Shield	X	X	X	X
24	113-150-*BX ①	Top Rain Flashing	X	X	X	X
24	113-150-4BX ②	Top Rain Flashing	0	0	0	0
24	113-359BX ③	Top Rain Flashing	0	0	0	0
25	539-406BX	Fresh Air Damper Assembly	X	X	X	X
25	543-222BX	Intake Blank Off Plate	0	0	0	0
26	543-220BX	Exhaust Blank Off Plate	X	X	X	X
27	543-248-*BX ①	Access Cover	X	X	X	X
27	543-250BX ②	Access Cover	0	0	0	0
27	543-251BX ③	Access Cover	0	0	0	0
NS	5252-033BX	Bard Nameplate	X	X	X	X

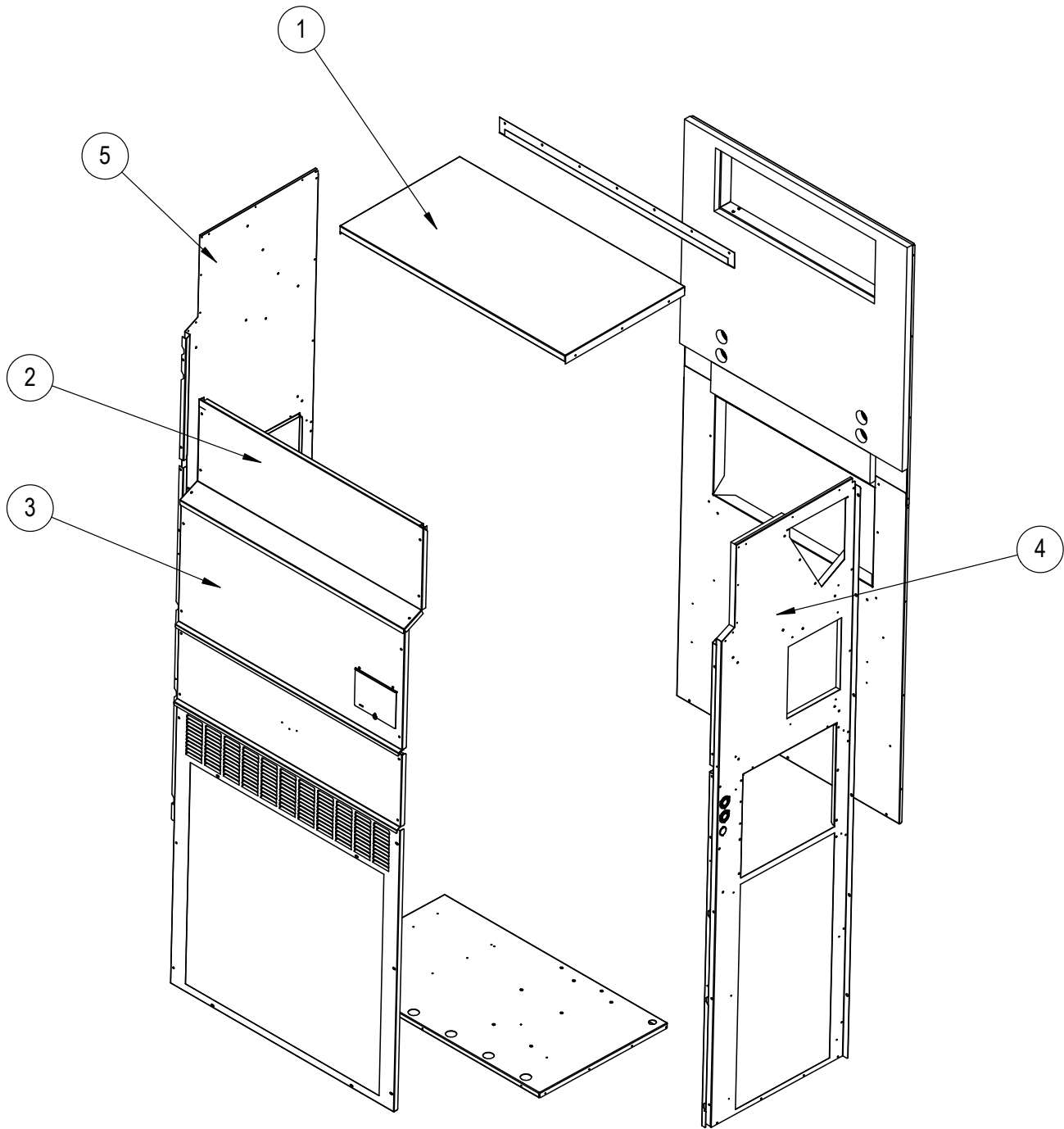
① Exterior cabinet parts are manufactured with various paint color options. To ensure the proper paint color is received, include the complete model and serial number of the unit for which cabinet parts are being ordered.

X – Standard Component  
O – Optional Component

*This page intentionally left blank*

# EXTERNAL PARTS - RECESSED CABINET

---



SEXP-1088

## EXTERNAL PARTS – RECESSED CABINET

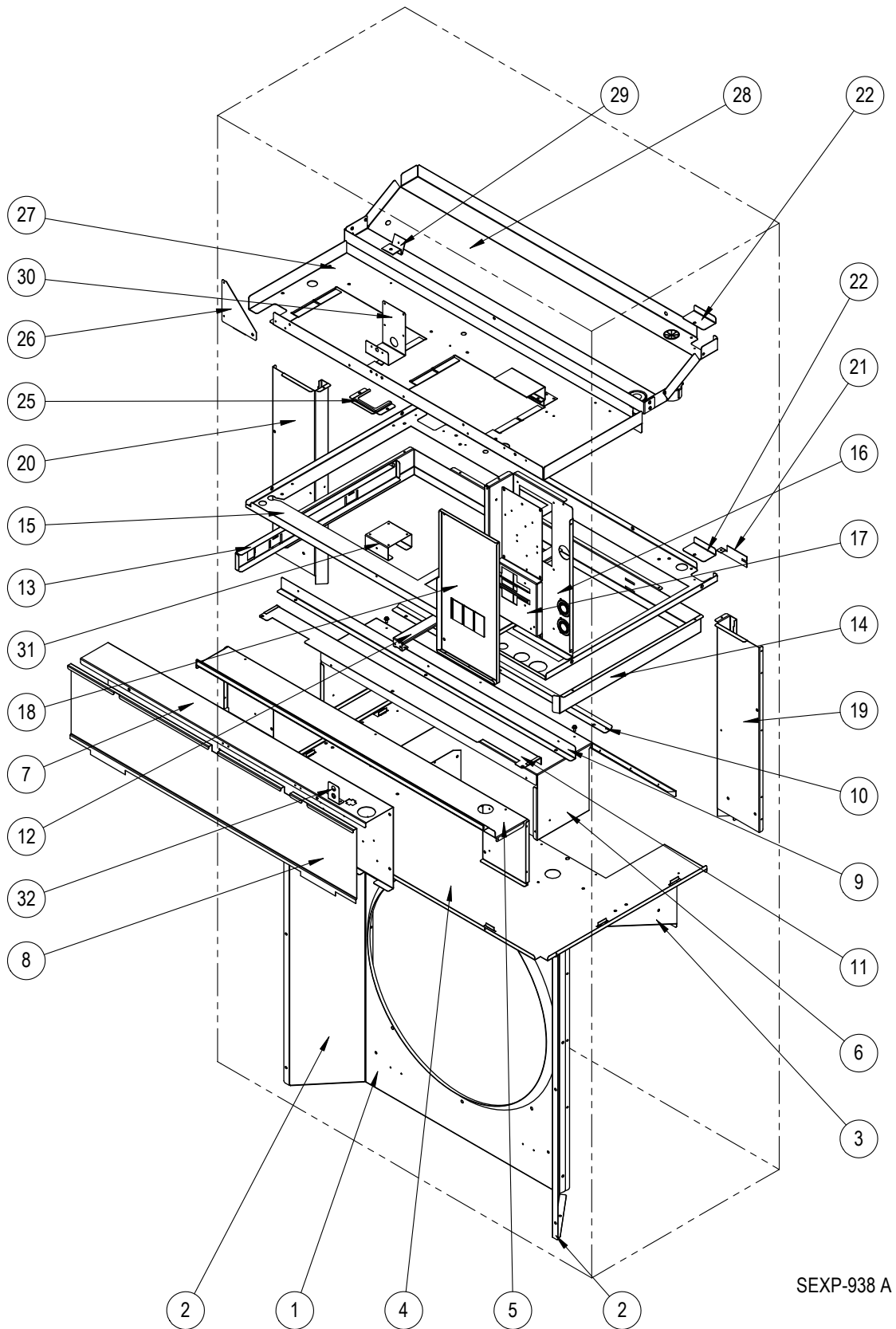
---

Drawing No.	Part Number	Description	W42AY-A, B, C	W48AY-A, B, C	W60AY-A, B, C	W72AY-A, B, C
1	507-413-*BX ①	Top	X	X	X	X
2	515-354-*BX ①	Upper Front	X	X		
2	515-356-*BX ①	Upper Front			X	X
3	515-355-*BX ①	Center Front	X	X		
3	515-357-*BX ①	Center Front			X	X
4	501-1142-*BX ①	Right Side Assembly	X	X		
4	501-1144-*BX ①	Right Side Assembly			X	X
5	501-1143-*BX ①	Left Side Assembly	X	X		
5	501-1145-*BX ①	Left Side Assembly			X	X

① Exterior cabinet parts are manufactured with various paint color options. To ensure the proper paint color is received, include the complete model and serial number of the unit for which cabinet parts are being ordered.

**NOTE:** The replacement cabinet parts listed above are specific to the recessed unit W42/48/60/72AY wall mount air conditioner models. All other replacement cabinet external parts for these models are referenced on pages 2, 3 and 4.

# INTERNAL PARTS – STANDARD & DEHUMIDIFICATION





## INTERNAL PARTS – STANDARD & DEHUMIDIFICATION

Dwg No.	Part Number	Description	W42AY-A, B, E	W42AY-C, F, RC	W42AYDA, B	W42AYDC	W48AY-A, B, E	W48AY-C, F, RC	W48AYDA, B	W48AYDC
1	125-089BX	Fan Shroud	X	X	X	X	X	X	X	X
1	125-093BX ①	Fan Shroud	0	0	0	0	0	0	0	0
2	125-090BX	Fan Shroud Side Access Cover	2	2	2	2	2	2	2	2
2	125-094BX ①	Fan Shroud Side Access Cover	2	2	2	2	2	2	2	2
3	121-586BX	Condenser Partition Insert	X	X	X	X	X	X	X	X
3	121-600BX ①	Condenser Partition Insert	0	0	0	0	0	0	0	0
4	121-585BX	Condenser Partition	X	X	X	X	X	X	X	X
4	121-599BX ①	Condenser Partition	0	0	0	0	0	0	0	0
5	521-630BX	Front Exhaust Partition	X	X	X	X	X	X	X	X
6	521-587BX	Exhaust Partition	X	X	X	X	X	X	X	X
7	Control Panel Assy.	See <b>Control Panel</b> on pages 16 – 18	X	X	X	X	X	X	X	X
8	133-330BX	Control Panel Cover (Inner)	X	X	X	X	X	X	X	X
9	105-1453BX	Front Vent Guide Rail	X	X	X	X	X	X	X	X
10	105-1452BX	Vent Guide Rail	X	X	X	X	X	X	X	X
11	135-409BX	Field Wire Shield	X	X	X	X	X	X	X	X
12	131-168BX	Filter Support Bracket	2	2	2	2	2	2	2	2
13	131-170BX	Filter Slide	X	X	X	X	X	X	X	X
14	131-169BX	Filter Rack Frame	X	X	X	X	X	X	X	X
15	121-583BX	Filter Partition	X	X	X	X	X	X	X	X
16	117-412BX	Upper Control Panel	X	X	X	X	X	X	X	X
17	127-575BX	Circuit Breaker Base	X		X		X		X	
17	127-585BX	Circuit Breaker Base - 460V		X		X		X		X
18	133-303BX	Upper Control Panel Cover	X		X		X		X	
18	133-304BX	Upper Control Panel Cover - 460V		X		X		X		X
19	135X393BX	Right Copper Chase	X	X	X	X	X	X	X	X
19	135X397BX ①	Right Copper Chase	0	0	0	0	0	0	0	0
20	135Y393BX	Left Copper Chase	X	X	X	X	X	X	X	X
20	135Y397BX ①	Left Copper Chase	0	0	0	0	0	0	0	0
21	113-796BX	Copper Retainer	2	2	2	2	2	2	2	2
22	137-920BX	Copper Fill Plate	2	2	2	2	2	2	2	2
25	113-765BX	Grommet Retainer	X	X	X	X	X	X	X	X
26	141-492BX	Blower Partition Support	X	X	X	X	X	X	X	X
27	121-582BX	Blower Partition	X	X	X	X	X	X	X	X
28	523-161BX	Drain Pan	X	X	X	X	X	X	X	X
28	523-162BX ①②	Drain Pan	0	0	0	0	0	0	0	0
29	113-768BX	EEV mounting Bracket			X	X			X	X
30	113-787BX	Airflow Switch Bracket	0	0	0	0	0	0	0	0
31	113-788BX	Filter Switch Bracket	0	0	0	0	0	0	0	0
32	113-789BX	Filter Switch Light Bracket	0	0	0	0	0	0	0	0

- ① Internal parts are manufactured from stainless steel Code "S"  
 ② For aluminum units, order 523-162 stainless steel drain pan.

- X – Standard Component  
 0 – Optional Component

# INTERNAL PARTS – STANDARD & DEHUMIDIFICATION

Dwg No.	Part Number	Description	W60AY-A, B, E	W60AY-C, F, RC	W60AYDA, B	W60AYDC	W72AY-A, B	W72AY-C, F, RC	W72AYDA, B	W72AYDC
1	125-091BX	Fan Shroud	X	X	X	X	X	X	X	X
1	125-095BX ①	Fan Shroud	0	0	0	0	0	0	0	0
2	125-092BX	Fan Shroud Side Access Cover	2	2	2	2	2	2	2	2
2	125-096BX ①	Fan Shroud Side Access Cover	2	2	2	2	2	2	2	2
3	121-586BX	Condenser Partition Insert	X	X	X	X	X	X	X	X
3	121-600BX ①	Condenser Partition Insert	0	0	0	0	0	0	0	0
4	121-585BX	Condenser Partition	X	X	X	X	X	X	X	X
4	121-599BX ①	Condenser Partition	0	0	0	0	0	0	0	0
5	521-630BX	Front Exhaust Partition	X	X	X	X	X	X	X	X
6	521-587BX	Exhaust Partition	X	X	X	X	X	X	X	X
7	Control Panel Assy.	See <b>Control Panel</b> on pages 16 – 18	X	X	X	X	X	X	X	X
8	133-330BX	Control Panel Cover (Inner)	X	X	X	X	X	X	X	X
9	105-1453BX	Front Vent Guide Rail	X	X	X	X	X	X	X	X
10	105-1452BX	Vent Guide Rail	X	X	X	X	X	X	X	X
11	135-409BX	Field Wire Shield	X	X	X	X	X	X	X	X
12	131-168BX	Filter Support Bracket	2	2	2	2	2	2	2	2
13	131-170BX	Filter Slide	X	X	X	X	X	X	X	X
14	131-169BX	Filter Rack Frame	X	X	X	X	X	X	X	X
15	121-583BX	Filter Partition	X	X	X	X	X	X	X	X
16	117-412BX	Upper Control Panel	X	X	X	X	X	X	X	X
17	127-575BX	Circuit Breaker Base	X		X		X		X	
17	127-585BX	Circuit Breaker Base - 460V		X		X		X		X
18	133-303BX	Upper Control Panel Cover	X		X		X		X	
18	133-304BX	Upper Control Panel Cover - 460V		X		X		X		X
19	135X393BX	Right Copper Chase	X	X	X	X	X	X	X	X
19	135X397BX ①	Right Copper Chase	0	0	0	0	0	0	0	0
20	135Y393BX	Left Copper Chase	X	X	X	X	X	X	X	X
20	135Y397BX ①	Left Copper Chase	0	0	0	0	0	0	0	0
21	113-796BX	Copper Retainer	2	2	2	2	2	2	2	2
22	137-920BX	Copper Fill Plate	2	2	2	2	2	2	2	2
25	113-765BX	Grommet Retainer	X	X	X	X	X	X	X	X
26	141-492BX	Blower Partition Support	X	X	X	X	X	X	X	X
27	121-582BX	Blower Partition	X	X	X	X	X	X	X	X
28	523-161BX	Drain Pan	X	X	X	X	X	X	X	X
28	523-162BX ①②	Drain Pan	0	0	0	0	0	0	0	0
29	113-768BX	EEV mounting Bracket			X	X			X	X
30	113-787BX	Airflow Switch Bracket	0	0	0	0	0	0	0	0
31	113-788BX	Filter Switch Bracket	0	0	0	0	0	0	0	0
32	113-789BX	Filter Switch Light Bracket	0	0	0	0	0	0	0	0

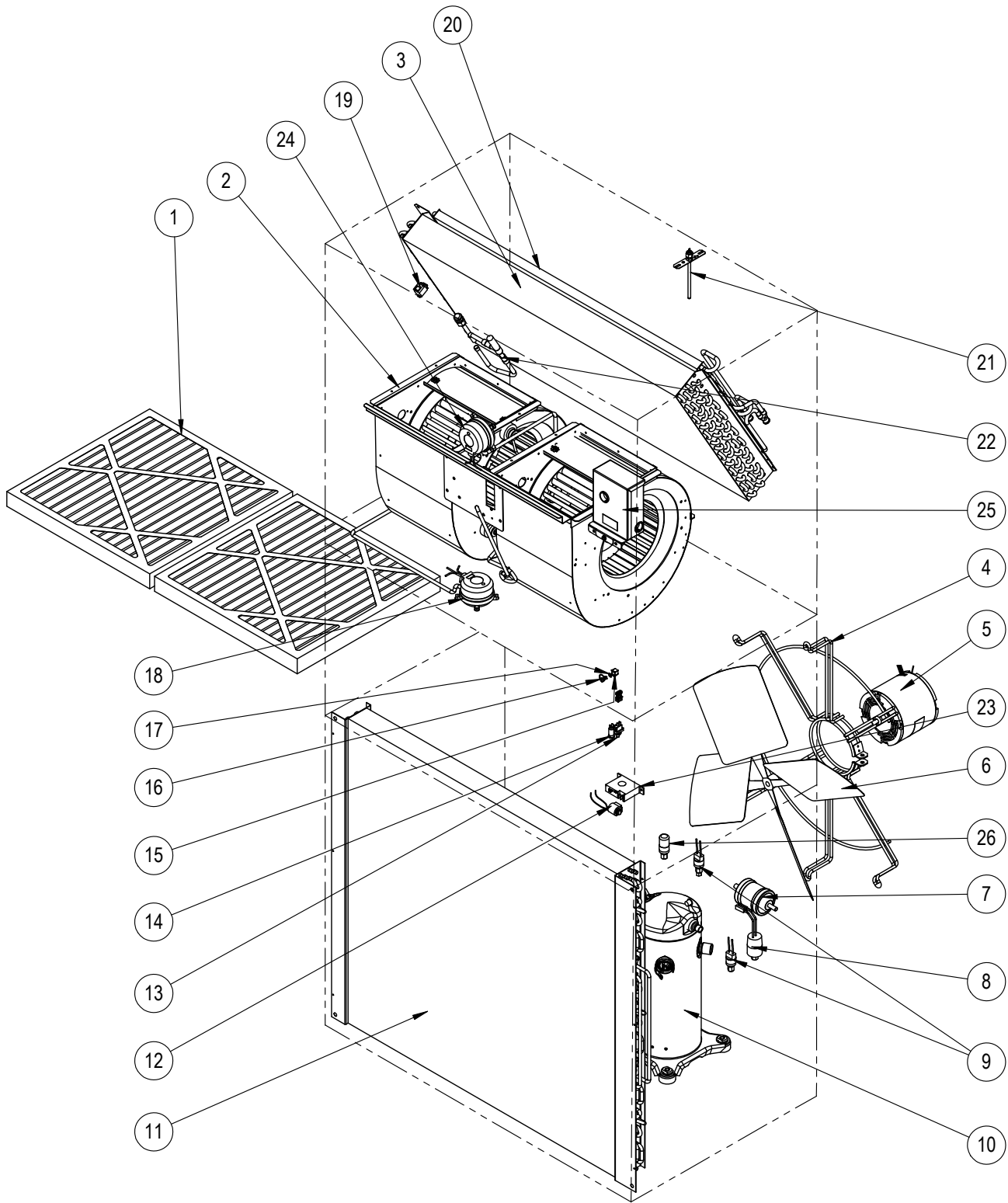
- ① Internal parts are manufactured from stainless steel Code "S"  
 ② For aluminum units, order 523-162 stainless steel drain pan.

- X – Standard Component  
 0 – Optional Component

Refer to drawing on page 8

*This page intentionally left blank*

# FUNCTIONAL COMPONENTS – STANDARD & DEHUMIDIFICATION



SEXP-931

This drawing to be used for reference for pages 13 and 14

# FUNCTIONAL COMPONENTS – STANDARD & DEHUMIDIFICATION

Dwg No.	Part Number	Description	W42AY-A	W42AY-B	W42AY-C	W42AYRC	W42AY-E	W42AY-F	W42AYDA	W42AYDB	W42AYDC	W48AY-A	W48AY-B	W48AY-C	W48AYRC	W48AY-E	W48AY-F	W48AYDA	W48AYDB	W48AYDC	
1	7004-012	Air Filter 1" Throw-Away (20 x 20 x 1)	2	2	2	2	2	2	2	2	2	2	2	2	2	2	2	2	2	2	2
1	7003-085 ②	Air Filter 1" Washable (20 x 20 x 1)	2	2	2	2	2	2	2	2	2	2	2	2	2	2	2	2	2	2	2
1	7004-052 ②	Air Filter 2" Merv 8 (20 x 20 x 2)	2	2	2	2	2	2	2	2	2	2	2	2	2	2	2	2	2	2	2
1	7004-060 ②	Air Filter 2" Merv 11 (20 x 20 x 2)	2	2	2	2	2	2	2	2	2	2	2	2	2	2	2	2	2	2	2
1	7004-063 ②	Air Filter 2" Merv 13 (20 x 20 x 2)	2	2	2	2	2	2	2	2	2	2	2	2	2	2	2	2	2	2	2
2	900-366-0155BX	Blower Assembly	X	X		X	X	X	X	X											
2	900-367-0156BX	Blower Assembly - 460V			X						X										
2	900-368-0157BX	Blower Assembly									X	X			X	X	X	X	X		
2	900-369-0158BX	Blower Assembly - 460V											X								X
3	917-0366BX	Evaporator Coil w/Distributor Assy.	X	X	X	X	X	X													
3	917-0367BX	Evaporator Coil - Coated w/Distributor Assy.	O	O	O	O	O	O													
3	917-0368BX	Evaporator Coil w/Distributor Assy.							X	X											
3	917-0369BX	Evaporator Coil - Coated w/Distributor Assy.							O	O	O										
3	917-0370BX	Evaporator Coil w/Distributor Assy.									X	X	X	X	X	X	X				
3	917-0371BX	Evaporator Coil - Coated w/Distributor Assy.									O	O	O	O	O	O	O				
3	917-0372BX	Evaporator Coil w/Distributor Assy.																X	X	X	
3	917-0373BX	Evaporator Coil - Coated w/Distributor Assy.																O	O	O	O
4	8200-004BX	Fan Motor Mount	X	X	X	X	X	X	X	X	X	X	X	X	X	X	X	X	X	X	X
4	8200-051BX ①	Fan Motor Mount - Stainless Steel	O	O	O	O	O	O	O	O	O	O	O	O	O	O	O	O	O	O	O
5	8105-068BX	Condenser Motor	X	X					X	X		X	X					X	X		
5	8105-071BX	Condenser Motor - 460V			X	X					X			X	X						X
5	8105-039BX	Condenser Motor					X	X					X	X		X	X				
6	5151-060BX	Fan Blade	X	X	X	X	X	X	X	X	X	X	X	X	X	X	X	X	X	X	X
6	5151C060BX ①	Fan Blade - Coated	O	O	O	O	O	O	O	O	O	O	O	O	O	O	O	O	O	O	O
7	5201-022BX	Filter Drier	X	X	X	X	X	X	X	X	X	X	X	X	X	X	X	X	X	X	X
8	CMA-39	Low Ambient Control (LAC)	O	O	O	O	O	O	O	O	O	O	O	O	O	O	O	O	O	O	O
9	8406-142BX	High Pressure Switch	X	X	X	X	X	X	X	X	X	X	X	X	X	X	X	X	X	X	X
9	8406-140BX	Low Pressure Switch	X	X	X	X	X	X	X	X	X	X	X	X	X	X	X	X	X	X	X
10	8000-349BX	Compressor	X						X												
10	8000-350BX	Compressor		X			X			X											
10	8000-351BX	Compressor			X	X		X			X										
10	8000-332BX	Compressor										X									
10	8000-333BX	Compressor											X			X				X	
10	8000-334BX	Compressor												X	X		X				X
11	5051-222BX	Condenser Coil	X	X	X	X	X	X	X	X	X	X	X	X	X	X	X	X	X	X	X
11	5054-222BX	Condenser Coil - Coated	O	O	O	O	O	O	O	O	O	O	O	O	O	O	O	O	O	O	O
12	8408-055BX	Outdoor Temperature Sensor	O	O	O	O	O	O	O	O	O	O	O	O	O	O	O	O	O	O	O
13	3000-1638BX	Dirty Filter Reset Switch	O	O	O	O	O	O	O	O	O	O	O	O	O	O	O	O	O	O	O
14	8611-094BX	Red Indicator Light - 24VAC	O	O	O	O	O	O	O	O	O	O	O	O	O	O	O	O	O	O	O
15	1171-023	1/4 Turn Receptacle	X	X	X	X	X	X	X	X	X	X	X	X	X	X	X	X	X	X	X
16	1171-022	1/4 Turn Fastener	X	X	X	X	X	X	X	X	X	X	X	X	X	X	X	X	X	X	X
17	1171-024	1/4 Turn Retainer	X	X	X	X	X	X	X	X	X	X	X	X	X	X	X	X	X	X	X
18	8301-057BX	Filter Pressure Switch	O	O	O	O	O	O	O	O	O	O	O	O	O	O	O	O	O	O	O
19	CMC-29	Freeze Protection Thermostat	O	O	O	O	O	O	O	O	O	O	O	O	O	O	O	O	O	O	O
20	5051-221BX	Reheat Coil							X	X	X							X	X	X	
20	5054-221BX	Reheat Coil - Coated							O	O	O							O	O	O	
21	910-1224BX	Supply Air Temperature Sensor	O	O	O	O	O	O	O	O	O	O	O	O	O	O	O	O	O	O	O
22	800-0482BX	Distributor Assembly	X	X	X	X	X	X		X	X										
22	800-0424BX	Distributor Assembly							X	X	X										
22	800-0483BX	Distributor Assembly									X	X	X	X	X	X					
22	800-0455BX	Distributor Assembly																X	X	X	
22	5651S245BX	Electronic Expansion Valve							X	X	X							X	X	X	
22	905-0737BX	Electronic Expansion Valve (EEV) Assembly							X	X	X							X	X	X	
23	8301-013BX	Current Sensor	O	O	O	O	O	O	O	O	O	O	O	O	O	O	O	O	O	O	O
24	8301-057BX	Airflow Pressure Switch	O	O	O	O	O	O	O	O	O	O	O	O	O	O	O	O	O	O	O
25	910-2050-001BX	EEV Controller (see <b>EEV Controller Assembly</b> )							X	X	X							X	X	X	
26	8406-158BX	Low Pressure Transducer							X	X	X							X	X	X	
26	3000-1603BX	Transducer Wire Assembly - Connects to Transducer							X	X	X							X	X	X	
NS	CMA-39	LAC Kit = Item #'s 8,12,19	O	O	O	O	O	O	O	O	O	O	O	O	O	O	O	O	O	O	O
NS	CMC-33	Dirty Filter Switch Kit = Item #'s 13,14,18	O	O	O	O	O	O	O	O	O	O	O	O	O	O	O	O	O	O	O
NS	CMA-44	DDC Kit = Item #'s 8,12,13,14,18,19,21,23,24	O	O	O	O	O	O	O	O	O	O	O	O	O	O	O	O	O	O	O
NS	5650-051BX	Dehumidification Valve							X	X	X							X	X	X	
NS	5650-042BX	Dehum Valve Solenoid, Red Casing (Ranco)							X	X	X							X	X	X	
NS	5650-046BX	Dehum Valve Solenoid, Black Casing (San Hua)							X	X	X							X	X	X	
NS	5651-219	Check Valve							2	2	2							2	2	2	
NS	5451-024	Tubing Isolation Grommet	2	2	2	2	2	2	4	4	4	2	2	2	2	2	2	4	4	4	
NS	6031-009	Coremax Valve Core	2	2	2	2	2	2	2	2	2	2	2	2	2	2	2	2	2	2	
NS	1171-028	Control Panel Door Clip	4	4	4	4	4	4	4	4	4	4	4	4	4	4	4	4	4	4	
NS	1171-057	Control Panel Door Screw	4	4	4	4	4	4	4	4	4	4	4	4	4	4	4	4	4	4	
NS	1171-027	Control Panel Door Screw Retainer	4	4	4	4	4	4	4	4	4	4	4	4	4	4	4	4	4	4	
NS	5650-054	Molded Plug for Dehum Valve							X	X	X							X	X	X	
NS	910-2188BX	460V Transformer Assembly													X						
NS	910-2189BX	460V Transformer Assembly				X															

NS – Not Shown  
 ① – Used with stainless steel cabinet option  
 ② – Optional on these models

X – Standard Component  
 O – Optional Component

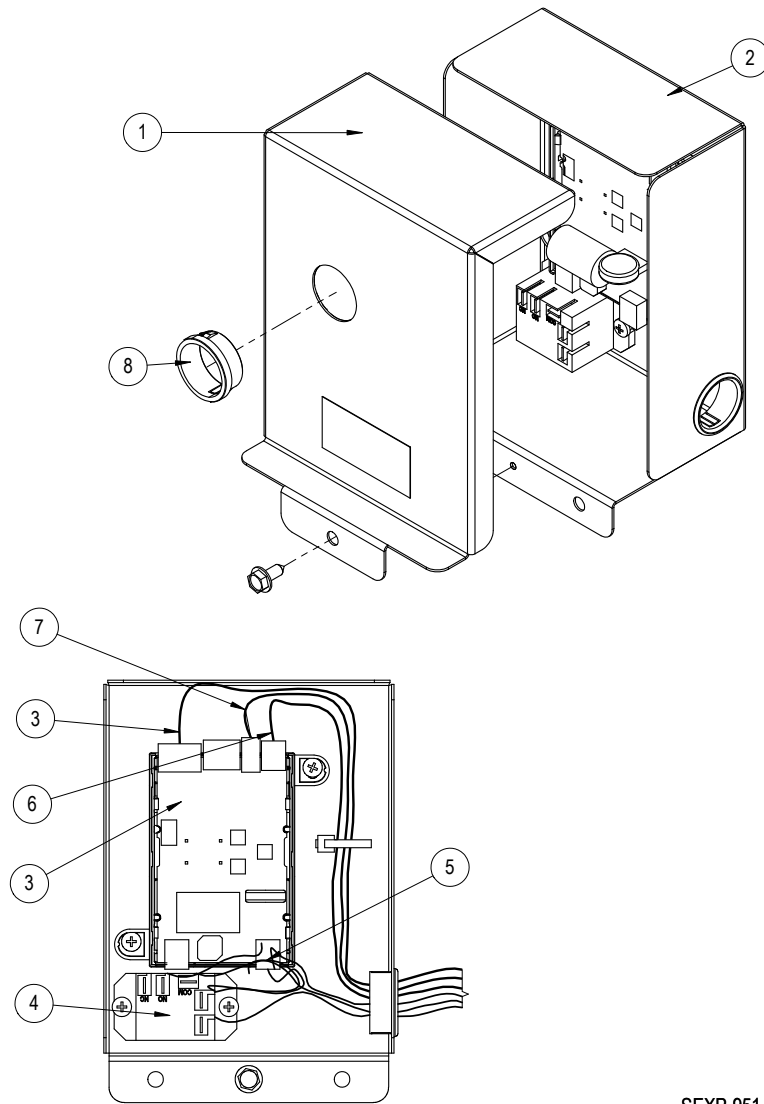
# FUNCTIONAL COMPONENTS – STANDARD & DEHUMIDIFICATION

Dwg No.	Part Number	Description	W60AY-A	W60AY-B	W60AY-C	W60AYRC	W60AY-E	W60AY-F	W60AYDA	W60AYDB	W60AYDC	W72AY-A	W72AY-B	W72AY-C	W72AYRC	W72AY-F	W72AYDA	W72AYDB	W72AYDC	
1	7004-012	Air Filter 1" Throw-Away (20 x 20 x 1)	2	2	2	2	2	2	2	2	2	2	2	2	2	2	2	2	2	2
1	7003-085 ②	Air Filter 1" Washable (20 x 20 x 1)	2	2	2	2	2	2	2	2	2	2	2	2	2	2	2	2	2	2
1	7004-052 ②	Air Filter 2" Merv 8 (20 x 20 x 2)	2	2	2	2	2	2	2	2	2	2	2	2	2	2	2	2	2	2
1	7004-060 ②	Air Filter 2" Merv 11 (20 x 20 x 2)	2	2	2	2	2	2	2	2	2	2	2	2	2	2	2	2	2	2
1	7004-063 ②	Air Filter 2" Merv 13 (20 x 20 x 2)	2	2	2	2	2	2	2	2	2	2	2	2	2	2	2	2	2	2
2	900-368-0159BX	Blower Assembly	X	X		X	X	X	X	X										
2	900-369-0160BX	Blower Assembly - 460V			X					X										
2	900-368-0161BX	Blower Assembly									X		X							
2	900-369-0162BX	Blower Assembly - 460V										X		X						X
3	917-0374BX	Evaporator Coil w/Distributor Assy.	X	X	X	X	X	X												
3	917-0375BX	Evaporator Coil - Coated w/Distributor Assy.	0	0	0	0	0	0												
3	917-0376BX	Evaporator Coil w/Distributor Assy.							X	X	X							X	X	X
3	917-0377BX	Evaporator Coil - Coated w/Distributor Assy.							0	0	0							0	0	0
3	917-0378BX	Evaporator Coil w/Distributor Assy.										X	X	X	X	X				
3	917-0379BX	Evaporator Coil - Coated w/Distributor Assy.										0	0	0	0	0				
4	8200-004BX	Fan Motor Mount	X	X	X	X	X	X	X	X	X									
4	8200-051BX ①	Fan Motor Mount - Stainless Steel	0	0	0	0	0	0	0	0	0									
4	8200-049BX	Fan Motor Mount										X	X	X	X	X	X	X	X	X
4	8200-052BX ①	Fan Motor Mount - Stainless Steel										0	0	0	0	0	0	0	0	0
5	8105-068BX	Condenser Motor	X	X					X	X										
5	8105-039BX	Condenser Motor					X	X												
5	8105-071BX	Condenser Motor - 460V			X	X				X		X	X					X	X	
5	8106-070BX	Condenser Motor									X									
5	8106-071BX	Condenser Motor - 460V										X	X							
5	8106-016BX	Condenser Motor														X				X
6	5151-060BX	Fan Blade	X	X	X	X	X	X	X	X	X									
6	5151C060BX ①	Fan Blade - Coated	0	0	0	0	0	0	0	0	0	X	X	X	X	X	X	X	X	X
6	5151-063BX	Fan Blade										0	0	0	0	0	0	0	0	0
6	5151C063BX ①	Fan Blade - Coated										X	X	X	X	X	X	X	X	X
7	5201-022BX	Filter Drier	X	X	X	X	X	X	X	X	X	X	X	X	X	X	X	X	X	X
8	CMA-39	Low Ambient Control (LAC)	0	0	0	0	0	0	0	0	0	0	0	0	0	0	0	0	0	0
9	8406-142BX	High Pressure Switch	X	X	X	X	X	X	X	X	X	X	X	X	X	X	X	X	X	X
9	8406-140BX	Low Pressure Switch	X	X	X	X	X	X	X	X	X	X	X	X	X	X	X	X	X	X
10	8000-289BX	Compressor	X						X											
10	8000-292BX	Compressor		X			X			X										
10	8000-308BX	Compressor			X	X		X			X									
10	8000-403BX	Compressor										X								
10	8000-404BX	Compressor											X							X
10	8000-405BX	Compressor												X	X	X				X
11	5051-223BX	Condenser Coil	X	X	X	X	X	X	X	X	X	X	X	X	X	X	X	X	X	X
11	5054-223BX	Condenser Coil - Coated	0	0	0	0	0	0	0	0	0	0	0	0	0	0	0	0	0	0
12	8408-055BX	Outdoor Temperature Sensor	0	0	0	0	0	0	0	0	0	0	0	0	0	0	0	0	0	0
13	3000-1638BX	Dirty Filter Reset Switch	0	0	0	0	0	0	0	0	0	0	0	0	0	0	0	0	0	0
14	8611-094BX	Red Indicator Light - 24VAC	0	0	0	0	0	0	0	0	0	0	0	0	0	0	0	0	0	0
15	1171-023	1/4 Turn Receptacle	X	X	X	X	X	X	X	X	X	X	X	X	X	X	X	X	X	X
16	1171-022	1/4 Turn Fastener	X	X	X	X	X	X	X	X	X	X	X	X	X	X	X	X	X	X
17	1171-024	1/4 Turn Retainer	X	X	X	X	X	X	X	X	X	X	X	X	X	X	X	X	X	X
18	8301-057BX	Filter Pressure Switch	0	0	0	0	0	0	0	0	0	0	0	0	0	0	0	0	0	0
19	CMC-29	Freeze Protection Thermostat	0	0	0	0	0	0	0	0	0	0	0	0	0	0	0	0	0	0
20	5051-221BX	Reheat Coil							X	X	X							X	X	X
20	5054-221BX	Reheat Coil - Coated							0	0	0							0	0	0
21	910-1224BX	Supply Air Temperature Sensor	0	0	0	0	0	0	0	0	0	0	0	0	0	0	0	0	0	0
22	800-0484BX	Distributor Assembly	X	X	X	X	X	X												
22	800-0455BX	Distributor Assembly							X	X	X							X	X	X
22	800-0454BX	Distributor Assembly										X	X	X	X	X				
22	5651S248BX	Electronic Expansion Valve							X	X	X							X	X	X
22	905-0745BX	Electronic Expansion Valve (EEV) Assembly							X	X	X							X	X	X
23	8301-013BX	Current Sensor	0	0	0	0	0	0	0	0	0	0	0	0	0	0	0	0	0	0
24	8301-057BX	Airflow Pressure Switch	0	0	0	0	0	0	0	0	0	0	0	0	0	0	0	0	0	0
25	910-2050-001BX	EEV Controller (see <b>EEV Controller Assembly</b> )							X	X	X							X	X	X
26	8406-158BX	Low Pressure Transducer							X	X	X							X	X	X
26	3000-1603BX	Transducer Wire Assembly - Connects to Transducer							X	X	X							X	X	X
NS	CMA-39	LAC Kit = Item #'s 8,12,19	0	0	0	0	0	0	0	0	0	0	0	0	0	0	0	0	0	0
NS	CMC-33	Dirty Filter Switch Kit = Item #'s 13,14,18	0	0	0	0	0	0	0	0	0	0	0	0	0	0	0	0	0	0
NS	CMA-44	DDC Kit = Item #'s 8,12,13,14,18,19,21,23,24	0	0	0	0	0	0	0	0	0	0	0	0	0	0	0	0	0	0
NS	5650-051BX	Dehumidification Valve							X	X	X							X	X	X
NS	5650-042BX	Dehum Valve Solenoid, Red Casing (Ranco)							X	X	X							X	X	X
NS	5650-046BX	Dehum Valve Solenoid, Black Casing (San Hua)							X	X	X							X	X	X
NS	5651-219	Check Valve							2	2	2							2	2	2
NS	5451-024	Tubing Isolation Grommet	2	2	2	2	2	2	4	4	4	2	2	2	2	2	2	4	4	4
NS	6031-009	Coremax Valve Core	2	2	2	2	2	2	2	2	2	2	2	2	2	2	2	2	2	2
NS	1171-028	Control Panel Door Clip	4	4	4	4	4	4	4	4	4	4	4	4	4	4	4	4	4	4
NS	1171-057	Control Panel Door Screw	4	4	4	4	4	4	4	4	4	4	4	4	4	4	4	4	4	4
NS	1171-027	Control Panel Door Screw Retainer	4	4	4	4	4	4	4	4	4	4	4	4	4	4	4	4	4	4
NS	5650-054BX	Molded Plug for Dehum Valve							X	X	X							X	X	X
NS	910-2188BX	460V Transformer Assembly				X										X				

NS – Not Shown  
 ① – Used with stainless steel cabinet option    ② – Optional on these models  
 X – Standard Component  
 0 – Optional Component

Refer to drawing on page 12

# EEV CONTROLLER ASSEMBLY

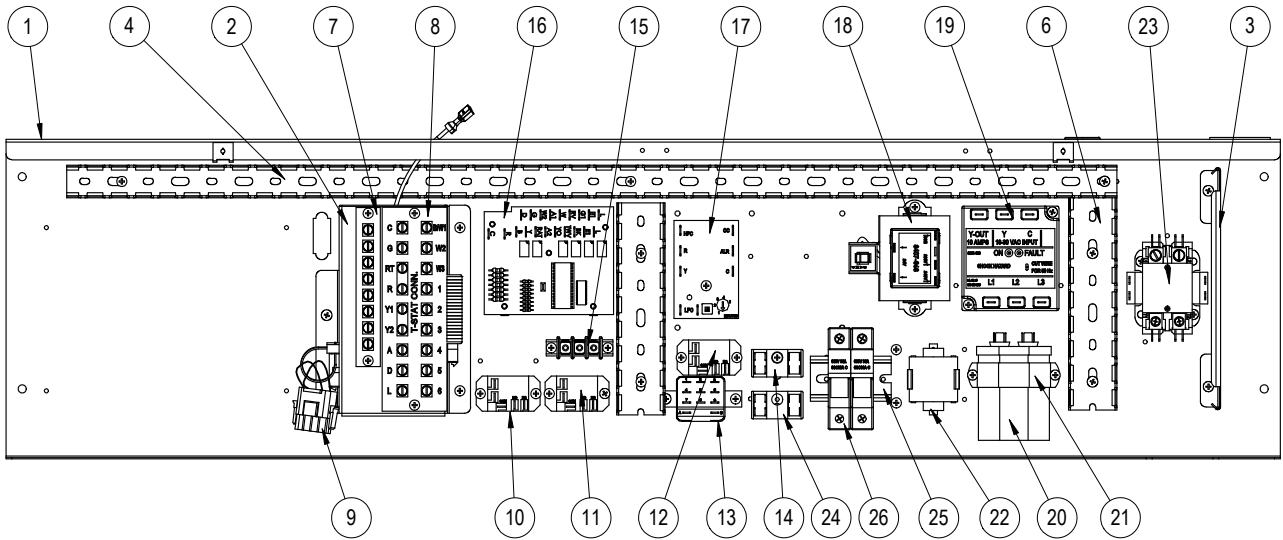


SEXP-951

910-2050-001BX

Dwg No.	Part Number	Description	
1	143-219BX	EEV Control Box Cover	X
2	127-572BX	EEV Control Box	X
3	S8301-079-0001BX	EEV Control Module & Stator Cable	X
3	5651-246BX	EEV Stator Cable Only	X
4	8201-130BX	Control Relay	X
5	3000-1602BX	Main Wire Assembly	X
6	3000-1611BX	Transducer Wire Assembly – Connects to EEV Board	X
NS	3000-1603BX	Transducer Wire Assembly – Connects to Transducer	
7	8408-056BX	EEV Thermistor	X
8	8611-075	Clear Snap Plug	X

# CONTROL PANEL – STANDARD & DEHUMIDIFICATION



SEXP-928 B

This drawing to be used for reference for pages 17 and 18



# CONTROL PANEL - STANDARD & DEHUMIDIFICATION

Dwg No.	Part Number	Description	W42AY-A	W42AY-B	W42AY-C	W42AYRC	W42AY-E	W42AY-F	W42AYDA	W42AYDB	W42AYDC	W48AY-A	W48AY-B	W48AY-C	W48AYRC	W48AY-E	W48AY-F	W48AYDA	W48AYDB	W48AYDC	
1	117-411BX	Control Panel	X	X	X	X	X	X	X	X	X	X	X	X	X	X	X	X	X	X	X
2	910-2061BX	Complete Low Voltage Box Assembly (Sheet metal, Terminal Strip, & Wire Harness)	X	X	X	X	X	X	X	X	X	X	X	X	X	X	X	X	X	X	X
3	135-394BX	Wire Shield	X	X	X	X	X	X	X	X	X	X	X	X	X	X	X	X	X	X	X
4	8611-140-3208BX	Cable Duct - 32.5"	X	X	X	X	X	X	X	X	X	X	X	X	X	X	X	X	X	X	X
6	8611-244-0608BX	Cable Duct - 6.5" x 1.5" wide	2	2	2	2	2	2	2	2	2	2	2	2	2	2	2	2	2	2	2
7	8607-021BX	Low Voltage Terminal Strip - 8 term.	0	0	0	0	0	0	0	0	0	0	0	0	0	0	0	0	0	0	0
8	8607-063BX	Low Voltage Terminal Strip - 18 term.	X	X	X	X	X	X	X	X	X	X	X	X	X	X	X	X	X	X	X
9	3000-1524BX	Vent Jumper Plug (used when no vent option)	X	X	X	X	X	X	X	X	X	X	X	X	X	X	X	X	X	X	X
10	8201-130BX	Alarm Relay (Kit = CMC-35)	0	0	0	0	0	0	0	0	0	0	0	0	0	0	0	0	0	0	0
11	8201-130BX	Blower Speed Relay	X	X	X	X	X	X	X	X	X	X	X	X	X	X	X	X	X	X	X
12	8201-130BX	Dehumidification Control Relay							X	X	X								X	X	X
13	8201-159BX	Dirty Filter Relay (Kit = CMC-33)	0	0	0	0	0	0	0	0	0	0	0	0	0	0	0	0	0	0	0
14	8607-017BX	Terminal Block (LAC Kit = CMA-39)	0	0	0	0	0	0	0	0	0	0	0	0	0	0	0	0	0	0	0
15	8607-042BX	Blower Speed Terminal Block	X	X	X	X	X	X	X	X	X	X	X	X	X	X	X	X	X	X	X
16	8201-113BX	Dehumidification Logic Board							X	X	X								X	X	X
17	8201-176BX	Compressor Control Module	X	X	X	X	X	X	X	X	X	X	X	X	X	X	X	X	X	X	X
18	8407-068BX	Transformer	X	X			X	X	X	X		X	X			X	X	X	X		
18	8407-069BX	Transformer			X	X					X				X	X					X
19	8201-174BX	Phase Monitor		X	X	X	X	X		X	X		X	X	X	X	X		X	X	
20	8552-079BX	Compressor Capacitor	X						X												
20	8552-089BX	Compressor Capacitor									X									X	
20	8552-005BX	Outdoor Motor Capacitor		X			X	X		X			X			X	X			X	
20	8552-004BX	Outdoor Motor Capacitor			X	X				X				X	X						X
21	8550-008BX	Capacitor Strap	X						X			X							X		
21	8550-003BX	Capacitor Strap		X	X	X	X	X		X	X		X	X	X	X	X		X	X	
22	8551-004BX	Start Device (PTCR) (Kit = CMC-32)	0						0			0						0			
23	8401-034BX	Compressor Contactor	X						X			X						X			
23	8401-035BX	Compressor Contactor		X	X	X	X	X		X	X		X	X	X	X	X		X	X	
24	8607-017BX	Terminal Block				X										X					
25	8611-210BX	DIN Rail				X										X					
26	8614-058	Fuse Block				X										X					
26	8614-046	5A Fuse													2						
26	8614-047	3.2A Fuse				2															
NS	8615-040BX	Circuit Breaker 50A 2 Pole ①	0						0			0						0			
NS	8615-042BX	Circuit Breaker 35A 3 Pole ①		0						0			0						0		
NS	8615-052BX	Circuit Breaker 30A 3 Pole ①					0									0					
NS	8615-067BX	Toggle Disconnect			0	0		0			0			0	0		0			0	
NS	4213-124	Wiring Diagram	X						X			X							X		
NS	4213-125	Wiring Diagram																			
NS	4213-224	Wiring Diagram		X			X					X					X				
NS	4213-225	Wiring Diagram								X										X	
NS	4213-324	Wiring Diagram			X									X							
NS	4213-325	Wiring Diagram									X										X
NS	4213-327	Wiring Diagram				X									X						
NS	4213-624	Wiring Diagram						X									X				
NS	3000-1613BX	Blower Power Plug	X	X	X	X	X	X	X	X	X	X	X	X	X	X	X	X	X	X	X
NS	3000-1645BX	Blower Power Plug						X										X			
NS	3000-1614BX	Blower Speed Plug	X	X	X	X	X	X	X	X	X	X	X	X	X	X	X	X	X	X	X
NS	3000-1222BX	Compressor Plug/Harness	X						X			X							X		
NS	3000-1230BX	Compressor Plug/Harness		X	X	X	X	X		X	X		X	X	X	X	X		X	X	
NS	3003-138BX	Control Panel Wire Harness	X									X									
NS	3003-142BX	Control Panel Wire Harness								X	X									X	X
NS	3003-139BX	Control Panel Wire Harness		X	X	X	X					X	X	X	X						
NS	3003-140BX	Control Panel Wire Harness						X									X				
NS	3003-141BX	Control Panel Wire Harness							X									X			
NS	3000-1608	Low Voltage Terminal Block Wire Harness	X	X	X	X	X	X	X	X	X	X	X	X	X	X	X	X	X	X	X
NS	8201-074BX	Power Switch Relay	X																		

NS = Not Shown

① Circuit breakers listed are for units without electric heat, "0Z" models. See heater replacement parts manual for units with electric heat.

X – Standard Component  
O – Optional Component

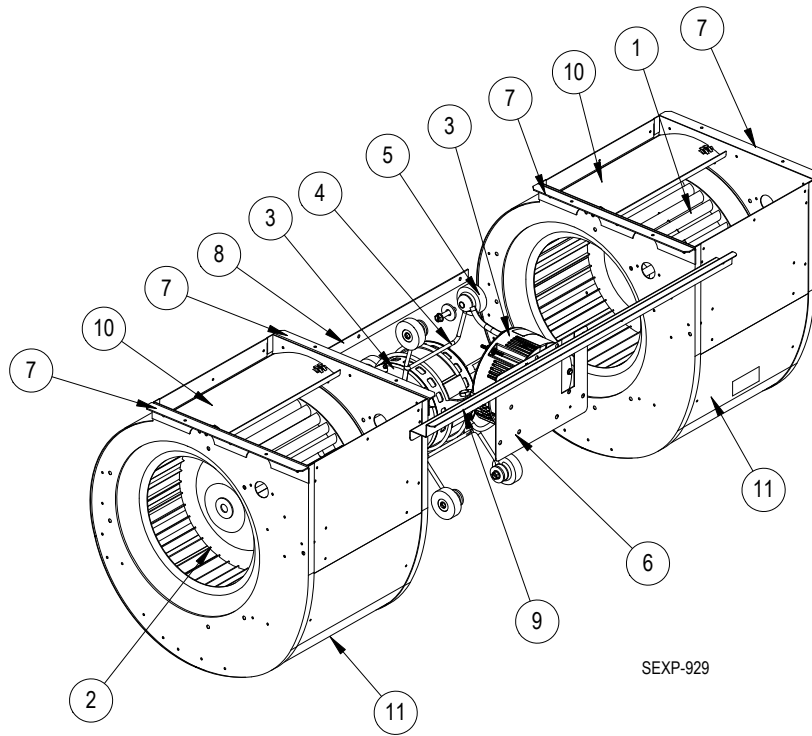
Manual 2110-1470B  
Page 17 of 19

# CONTROL PANEL – STANDARD & DEHUMIDIFICATION

Dwg No.	Part Number	Description	W60AY-A	W60AY-B	W60AY-C	W60AYRC	W60AY-E	W60AY-F	W60AYDA	W60AYDB	W60AYDC	W72AY-A	W72AY-B	W72AY-C	W72AYRC	W72AY-F	W72AYDA	W72AYDB	W72AYDC
1	117-411BX	Control Panel	X	X	X	X	X	X	X	X	X	X	X	X	X	X	X	X	X
2	910-2061BX	Complete Low Voltage Box Assembly (Sheet metal, Terminal Strip, & Wire Harness)	X	X	X	X	X	X	X	X	X	X	X	X	X	X	X	X	X
3	135-394BX	Wire Shield	X	X	X	X	X	X	X	X	X	X	X	X	X	X	X	X	X
4	8611-140-3208BX	Cable Duct - 32.5"	X	X	X	X	X	X	X	X	X	X	X	X	X	X	X	X	X
6	8611-244-0608BX	Cable Duct - 6.5" x 1.5" wide	2	2	2	2	2	2	2	2	2	2	2	2	2	2	2	2	2
7	8607-021BX	Low Voltage Terminal Strip - 8 term.	0	0	0	0	0	0	0	0	0	0	0	0	0	0	0	0	0
8	8607-063BX	Low Voltage Terminal Strip - 18 term.	X	X	X	X	X	X	X	X	X	X	X	X	X	X	X	X	X
9	3000-1524BX	Vent Jumper Plug (used when no vent option)	X	X	X	X	X	X	X	X	X	X	X	X	X	X	X	X	X
10	8201-130BX	Alarm Relay (Kit = CMC-35)	0	0	0	0	0	0	0	0	0	0	0	0	0	0	0	0	0
11	8201-130BX	Blower Speed Relay	X	X	X	X	X	X	X	X	X	X	X	X	X	X	X	X	X
12	8201-130BX	Dehumidification Control Relay							X	X	X						X	X	X
13	8201-159BX	Dirty Filter Relay (Kit = CMC-33)	0	0	0	0	0	0	0	0	0	0	0	0	0	0	0	0	0
14	8607-017	Terminal Block (LAC Kit = CMA-39)	0	0	0	0	0	0	0	0	0	0	0	0	0	0	0	0	0
15	8607-042BX	Blower Speed Terminal Block	X	X	X	X	X	X	X	X	X	X	X	X	X	X	X	X	X
16	8201-113BX	Dehumidification Logic Board							X	X	X						X	X	X
17	8201-176BX	Compressor Control Module	X	X	X	X	X	X	X	X	X	X	X	X	X	X	X	X	X
18	8407-068BX	Transformer	X	X			X	X	X		X	X				X	X	X	
18	8407-069BX	Transformer			X	X				X				X	X				X
19	8201-174BX	Phase Monitor		X	X	X	X	X		X	X		X	X	X	X		X	X
20	8552-089BX	Compressor Capacitor	X						X										
20	8552-097BX	Compressor Capacitor		X						X		X					X		
20	8552-005BX	Outdoor Motor Capacitor			X	X			X		X		X	X					X
20	8552-004BX	Outdoor Motor Capacitor			X	X				X		X		X	X		X		
21	8550-008BX	Capacitor Strap	X						X		X						X		
21	8550-003BX	Capacitor Strap		X	X	X	X	X		X	X		X	X	X	X		X	X
22	8551-004BX	Start Device (PTCR) (Kit = CMC-32)	0						0			0					0		
23	8401-034BX	Compressor Contactor	X						X		X						X		
23	8401-035BX	Compressor Contactor		X	X	X	X	X		X	X		X	X	X	X		X	X
24	8607-017BX	Terminal Block				X									X				
25	8611-210BX	DIN Rail				X									X				
26	8614-058	Fuse Block				X									X				
26	8614-046	5A Fuse				2									2				
NS	8615-041BX	Circuit Breaker 60A 2 Pole Ⓞ	0						0		0						0		
NS	8615-043BX	Circuit Breaker 40A 3 Pole Ⓞ		0						0									
NS	8615-045BX	Circuit Breaker 50A 3 Pole Ⓞ					0					0						0	
NS	8615-067BX	Toggle Disconnect			0	0		0			0			0	0	0			0
NS	4213-124	Wiring Diagram	X									X							
NS	4213-125	Wiring Diagram		X					X								X		
NS	4213-224	Wiring Diagram					X						X					X	
NS	4213-225	Wiring Diagram								X									X
NS	4213-324	Wiring Diagram			X						X			X					X
NS	4213-325	Wiring Diagram									X								X
NS	4213-327	Wiring Diagram				X								X		X			
NS	4213-624	Wiring Diagram						X								X			
NS	3000-1613BX	Blower Power Plug	X	X	X	X	X		X	X	X	X	X	X	X		X	X	X
NS	3000-1645BX	Blower Power Plug						X								X			
NS	3000-1614BX	Blower Speed Plug	X	X	X	X	X	X	X	X	X	X	X	X	X	X	X	X	X
NS	3000-1222BX	Compressor Plug/Harness	X						X		X						X		
NS	3000-1230BX	Compressor Plug/Harness		X	X	X	X	X		X	X		X	X	X	X		X	X
NS	3003-138BX	Control Panel Wire Harness	X							X	X								
NS	3003-142BX	Control Panel Wire Harness								X	X							X	X
NS	3003-139BX	Control Panel Wire Harness		X	X	X	X					X	X	X					
NS	3003-140BX	Control Panel Wire Harness						X								X			
NS	3003-141BX	Control Panel Wire Harness							X								X		
NS	3000-1608BX	Low Voltage Terminal Block Wire Harness	X	X	X	X	X	X	X	X	X	X	X	X	X	X	X	X	X

Ⓞ Circuit breakers listed are for units without electric heat, "OZ" models. NS = Not Shown X – Standard Component  
 See heater replacement parts manual for units with electric heat. O – Optional Component

# BLOWER ASSEMBLY



SEXP-929

Dwg No.	Part Number	Description	900-366-0155BX	900-367-0156BX	900-368-0157BX	900-368-0159BX	900-368-0161BX	900-369-0158BX	900-369-0160BX	900-369-0162BX
1	5152-011BX	10 Inch Wheel (CW)	X	X	X	X	X	X	X	X
2	5152-012BX	10 Inch Wheel (CW)	X	X	X	X	X	X	X	X
3	8106-068-0155BX	Programmed Blower Motor & Control (230/208V)	X							
3	8106-069-0156BX	Programmed Blower Motor & Control (460V)		X						
3	8107-028-0157BX	Programmed Blower Motor & Control (230/208V)			X					
3	8107-028-0159BX	Programmed Blower Motor & Control (230/208V)				X				
3	8107-028-0161BX	Programmed Blower Motor & Control (230/208V)					X			
3	8107-029-0158BX	Programmed Blower Motor & Control (460V)						X		
3	8107-029-0160BX	Programmed Blower Motor & Control (460V)							X	
3	8107-029-0162BX	Programmed Blower Motor & Control (460V)								X
3	C8106-068-0155	Programmed Control Only (230/208V)	0							
3	C8106-069-0156	Programmed Control Only (460V)		0						
3	C8107-028-0157	Programmed Control Only (230/208V)			0					
3	C8107-028-0159	Programmed Control Only (230/208V)				0				
3	C8107-028-0161	Programmed Control Only (230/208V)					0			
3	C8107-029-0158	Programmed Control Only (460V)						0		
3	C8107-029-0160	Programmed Control Only (460V)							0	
3	C8107-029-0162	Programmed Control Only (460V)								0
4	8200-040BX	Motor Mount	X	X	X	X	X	X	X	X
5	5451-011	Grommets	6	6	6	6	6	6	6	6
6	112-775BX	Motor Control Bracket	X	X	X	X	X	X	X	X
7	105-880BX	Side Angle	4	4	4	4	4	4	4	4
8	105-881BX	Back Brace	X	X	X	X	X	X	X	X
9	103-541BX	Front Mounting Offset	X	X	X	X	X	X	X	X
10	144-166BX	Diffuser	2	2	2	2	2	2	2	2
11	151-101BX	Blower Housing	2	2	2	2	2	2	2	2

X – Standard Component  
O – Optional Component