
REPLACEMENT PARTS MANUAL

Wall Mounted Packaged Air Conditioner

Models:

W18LY-A W24LY-A
 W24LY-B
 W24LY-F

General Notes

- Revised and/or additional pages may be issued from time to time.
- A complete and current manual consists of pages shown in the following contents section.

Important

- Contact the installing and/or local Bard distributor for all parts requirements. Make sure you have the complete model and serial number available from the unit rating plates.

Contents

<u>Description</u>	<u>Page</u>
Cabinet Components	
♦ Exploded View	2
♦ Usage List	3
♦ Usage List	4
Functional Components	
♦ Exploded View	6
♦ Usage List	7
Control Panel	
♦ Layout View	8
♦ Usage List	9
Blower Assembly	
♦ Exploded View	10
♦ Usage List	10

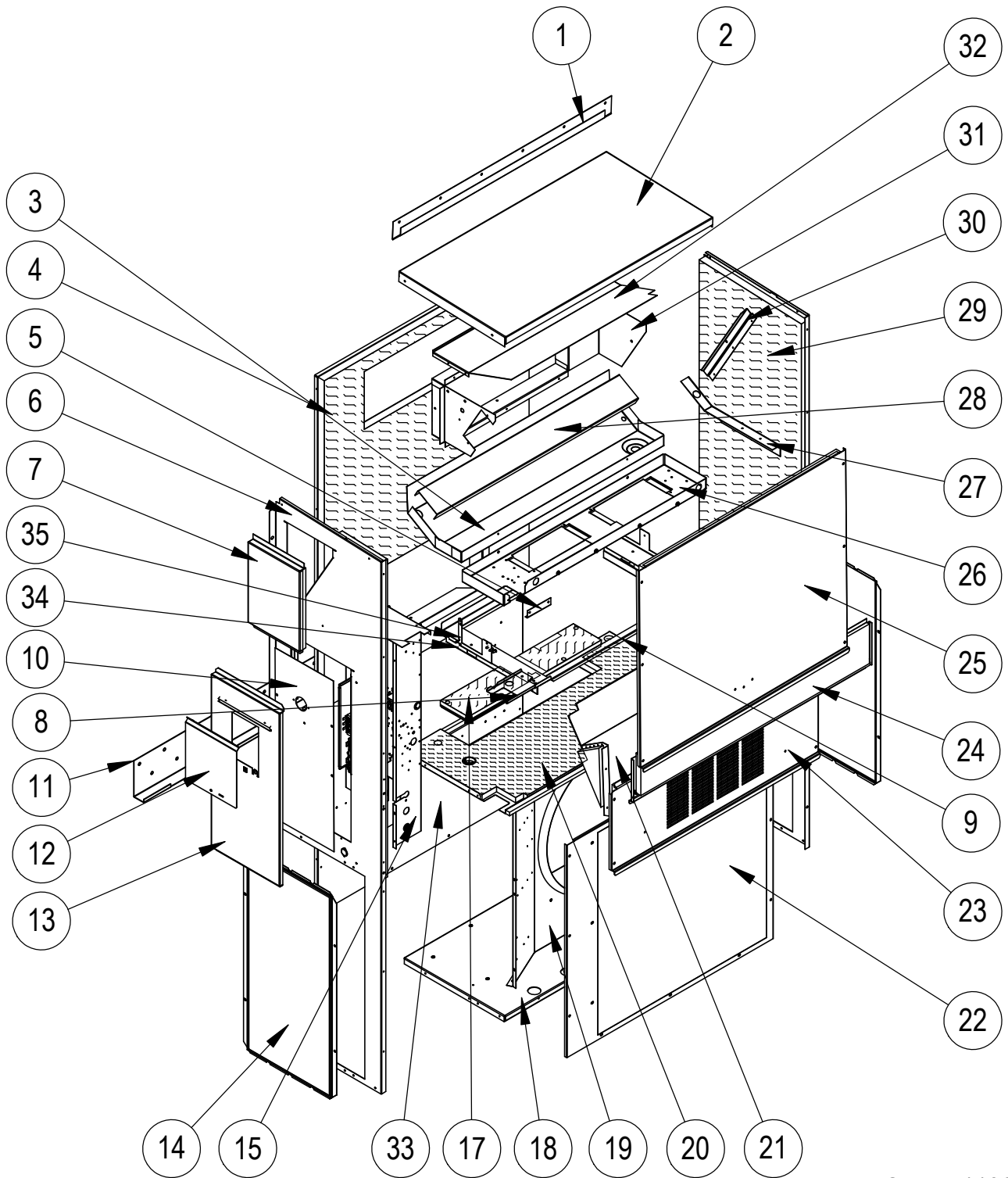


Climate Control Solutions

Bard Manufacturing Company, Inc.
Bryan, Ohio 43506
www.bardhvac.com

Manual: 2110-1472A
Supersedes: 2110-1472
Date: 1-3-24

CABINET COMPONENTS



SEXP-1103

This drawing to be used for reference for pages 3 and 4

CABINET COMPONENTS

Dwg. No.	Part Number	Description	W18LY-A	W24LY-A, -B	W24LY-F
1	113-141-*BX ①	Top Rain Flashing	X	X	X
1	113-361BX ②	Top Rain Flashing	X	X	X
1	113-141-4BX ③	Top Rain Flashing	X	X	X
2	507-311-*BX ①	Top	X	X	X
2	507-317BX ②	Top	X	X	X
2	507-318BX ③	Top	X	X	X
3	123-131BX	Drain Pan	X	X	X
3	123-142BX ②	Drain Pan	X	X	X
4	509-445BX	Upper Back	X	X	X
4	509-449BX ②	Upper Back	X	X	X
4	509-447BX ③	Upper Back	X	X	X
5	105-1302BX	Grommet Retainer	X	X	X
6	501-935-*BX ①	Right Side	X	X	X
6	501-998BX ②	Right Side	X	X	X
6	501-943BX ③	Right Side	X	X	X
7	543-175-*BX ①	Right Side Cover Plate (Outer)	X	X	X
7	543-185BX ②	Right Side Cover Plate (Outer)	X	X	X
7	543-184BX ③	Right Side Cover Plate (Outer)	X	X	X
8	137Y1101BX	Filter Fill Plate	X	X	X
9	131-196BX	Filter Partition Bracket	X	X	X
10	132-104BX	Control Panel Cover (Inner)	X	X	X
11	113-140BX	Bottom Mounting Bracket	X	X	X
12	153-218BX ①	Disconnect Access Door	X	X	X
12	153-405BX ②	Disconnect Access Door	X	X	X
12	153-387BX ③	Disconnect Access Door	X	X	X
13	533-228-*BX ①	Control Panel Cover (Outer)	X	X	X
13	533-235BX ②	Control Panel Cover (Outer)	X	X	X
13	533-236BX ③	Control Panel Cover (Outer)	X	X	X
14	118-124-*BX ①	Side Grille	2	2	2
14	118-140BX ②	Side Grille	2	2	2
14	118-141BX ③	Side Grille	2	2	2
15	Control Panel Assembly	See Control Panel on pages 8 & 9	X	X	X
17	536-176BX	Cond. Partition Block Off Plate	X	X	X
17	536-878BX ②	Cond. Partition Block Off Plate	X	X	X
18	127-468BX	Lower Base	X	X	X
18	127-537BX ②	Lower Base	X	X	X
19	125-080BX	Fan Shroud	X	X	X
19	125-082BX ②	Fan Shroud	X	X	X
20	521Y528BX	Condenser Partition	X	X	X
20	521-562BX ②	Condenser Partition	X	X	X
21	FAD-NE2	Fresh Air Damper Assembly	X	X	X
22	118-102-*BX ①	Condenser Grille	X	X	X
22	118-107BX ②	Condenser Grille	X	X	X
22	118-146BX ③	Condenser Grille	X	X	X
<i>Continued on page 4</i>					

① Exterior cabinet parts are manufactured with various paint color options. To ensure the proper paint color is received, include the complete model and serial number of the unit for which cabinet parts are being ordered.

② Exterior cabinet parts are manufactured from stainless steel Code "S"

③ Exterior cabinet parts are manufactured from aluminum Code "A"

CABINET COMPONENTS

Dwg No.	Part Number	Description	W18LY-A	W24LY-A, -B	W24LY-F
<i>Continued from page 3</i>					
23	553-537-*BX ①	Vent Option Door	X	X	X
23	553-547BX ②	Vent Option Door	X	X	X
23	553-548BX ③	Vent Option Door	X	X	X
24	553-538-*BX ①	Filter Door	X	X	X
24	553-551BX ②	Filter Door	X	X	X
24	553-552BX ③	Filter Door	X	X	X
25	514-240-*BX ①	Upper Front	X	X	X
25	514-236BX ②	Upper Front	X	X	X
25	514-237BX ③	Upper Front	X	X	X
26	121Y480BX	Blower Partition	X	X	X
27	105Y850BX	Side Support	X	X	X
28	137-694BX	Bottom Evaporator Fill	X	X	X
29	501-936-*BX ①	Left Side	X	X	X
29	501-999BX ②	Left Side	X	X	X
29	501-946BX ③	Left Side	X	X	X
30	147-044BX	Evaporator Support	X	X	X
31	111Y032BX	Outlet Air Frame Assembly	X	X	X
32	135Y127BX	Heat Shield	X	X	X
33	109-444BX	Lower Back	X	X	X
33	109-448BX ②	Lower Back	X	X	X
33	109-446BX ③	Lower Back	X	X	X
34	131-192BX	Filter Tray Angle	X	X	X
35	131Y191BX	Filter Partition	X	X	X
NS	5252-033	Bard Nameplate	X	X	X

① Exterior cabinet parts are manufactured with various paint color options. To ensure the proper paint color is received, include the complete model and serial number of the unit for which cabinet parts are being ordered.

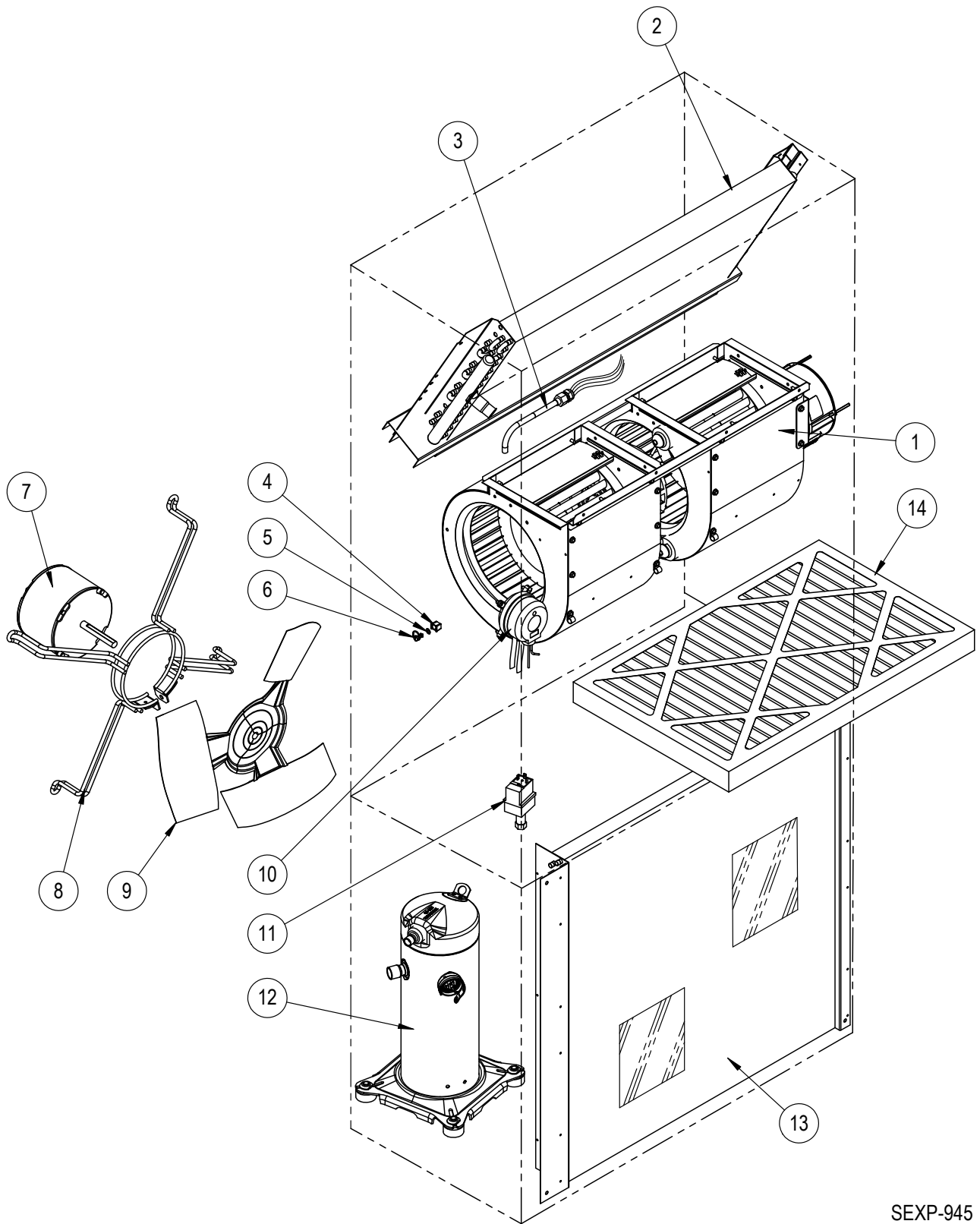
② Exterior cabinet parts are manufactured from stainless steel Code "S"

③ Exterior cabinet parts are manufactured from aluminum Code "A"

Refer to drawing on page 2

This page intentionally left blank

FUNCTIONAL COMPONENTS



SEXP-945

FUNCTIONAL COMPONENTS

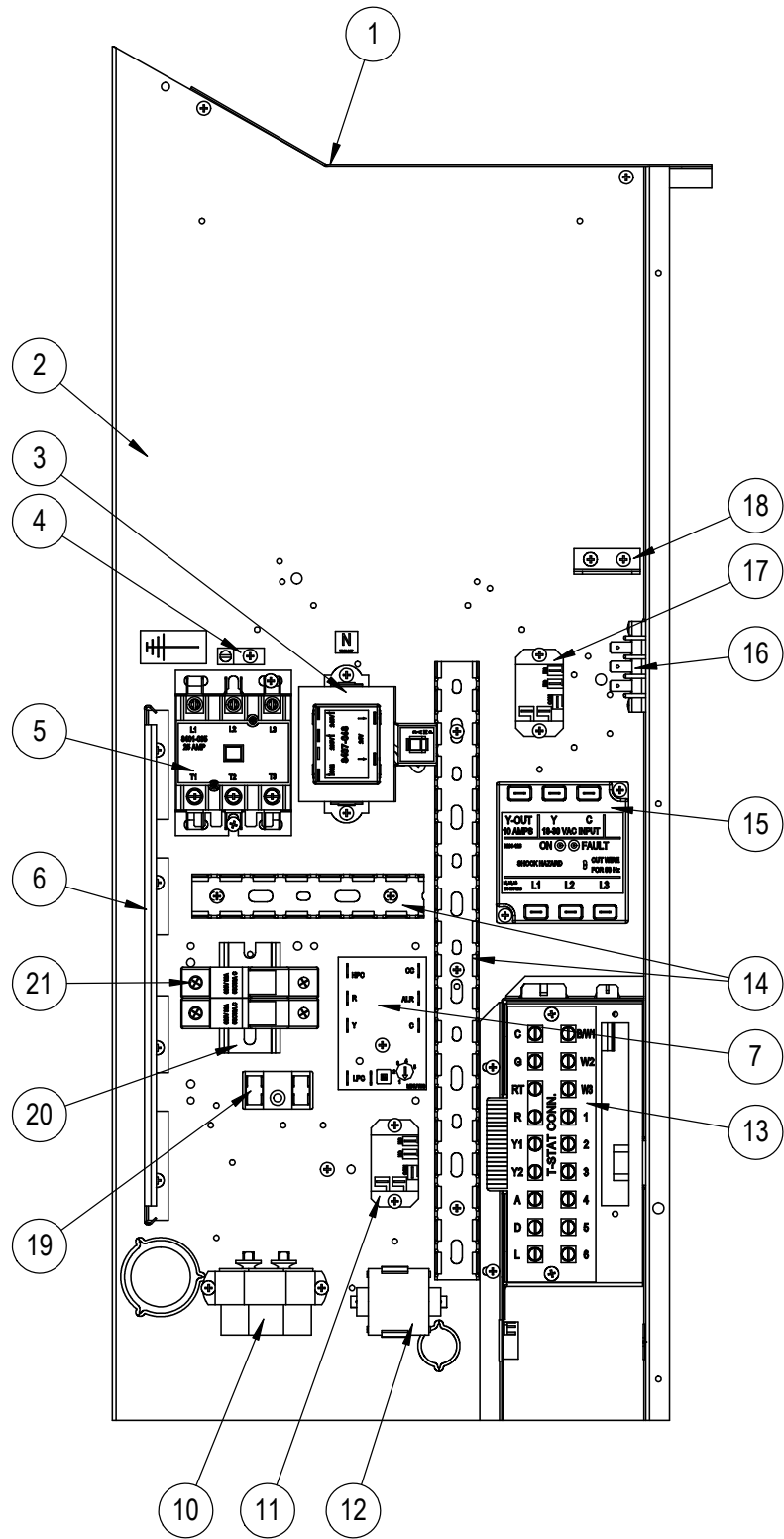
Dwg No.	Part Number	Description	W18LY-A	W24LY-A	W24LY-B	W24LY-F
1	900-363-0148BX	Blower Assembly		X	X	X
1	900-363-0147BX	Blower Assembly	X			
2	917-0381BX	Evaporator Coil with Distributor Assembly	X			
2	917-0382BX	Evaporator Coil – Coated with Distributor Assembly	X			
2	917-0353BX	Evaporator Coil with Distributor Assembly		X	X	X
2	917-0354BX	Evaporator Coil – Coated with Distributor Assembly		X	X	X
3	800-0458BX	Distributor Assembly	X			
3	800-0481BX	Distributor Assembly		X	X	X
4	1171-023	1/4" Receptacle	X	X	X	X
5	1171-024	1/4" Turn Retainer	X	X	X	X
6	1171-022	1/4" Turn Fastener	X	X	X	X
7	8103-028BX	Condenser Motor	X	X	X	X
8	8200-001BX	Fan Motor Mount	X	X	X	X
8	8200-050BX ①	Stainless Steel Fan Motor Mount	X	X	X	X
9	5151-033BX	Fan Blade	X	X	X	X
9	5151C033BX ①	Coated Fan Blade	X	X	X	X
10	CMC-31	Dirty Filter Switch Kit	X	X	X	X
11	CMA-37	Low Ambient Control (Screw On) ②		X	X	X
12	8000-433BX	Compressor	X			
12	8000-434BX	Compressor		X		
12	8000-435BX	Compressor			X	
12	8000-436BX	Compressor				X
13	5051-205BX	Condenser Coil	X			
13	5054-205BX	Condenser Coil – Coated	X			
13	5051-204BX	Condenser Coil		X	X	X
13	5054-204BX	Condenser Coil – Coated		X	X	X
14	7004-011	Air Filter 1" Throw-Away (16x25x1)	X	X	X	X
14	7003-032	Air Filter 1" Washable ② (16x25x1)	X	X	X	X
14	7004-025	Air Filter 2" Pleated ② (16x25x2)	X	X	X	X
14	7004-059	Air Filter 2" Pleated – MERV11 ② (16x25x2)	X	X	X	X
14	7004-061	Air Filter 2" Pleated – MERV13 ② (16x25x2)	X	X	X	X
NS	8406-142BX	High Pressure Switch (Screw On)	X	X	X	X
NS	8406-140BX	Low Pressure Switch (Screw On)	X	X	X	X
NS	5201-021BX	Filter Drier	X	X	X	X
NS	5451-024	Tubing Isolation Grommet	X	X	X	X
NS	6031-009	Coremax Valve Core	X	X	X	X
NS	1171-028	Filter Door Clip	2	2	2	2
NS	1171-057	Filter Door Screw	2	2	2	2
NS	1171-027	Filter Door Screw Retainer	2	2	2	2
NS	CMC-29	Freeze Thermostat Kit	X	X	X	X

NS – Not Shown

① – Used with stainless steel cabinet option

② – Optional on these models

CONTROL PANEL



SEXP-947 A

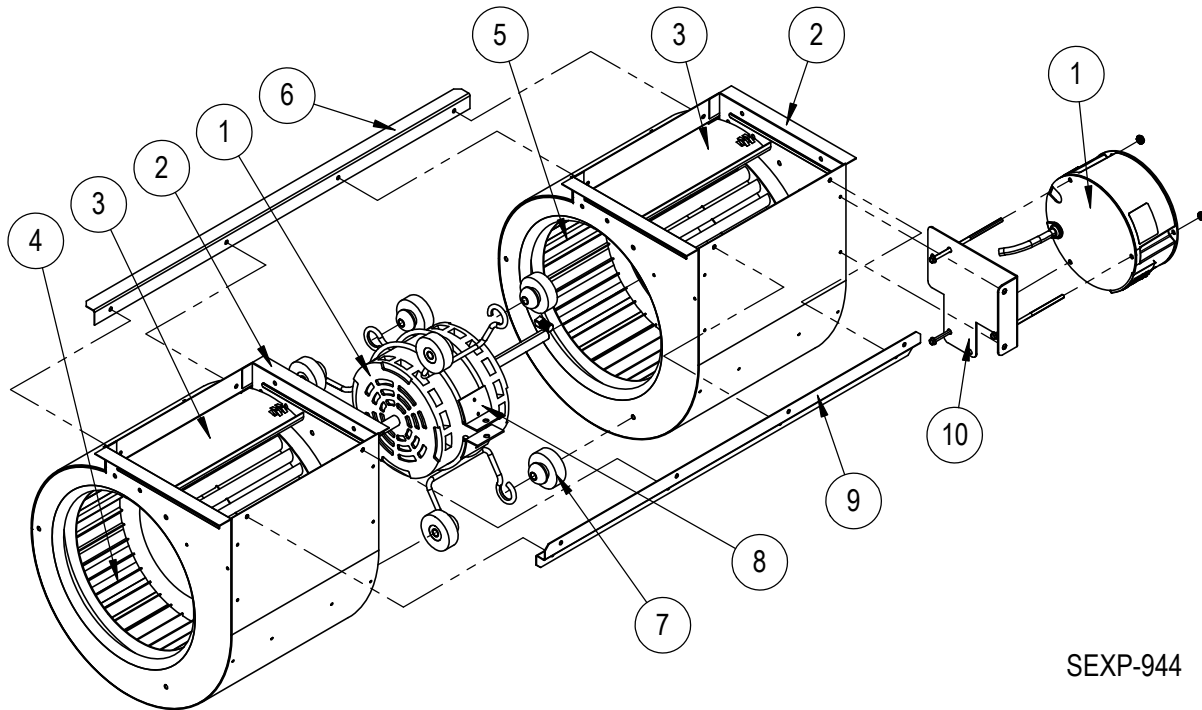
CONTROL PANEL

Dwg No.	Part Number	Description	W18LY-A	W24LY-A	W24LY-B	W24LY-F
1	117Y137BX	Control Panel Top	X	X	X	X
2	117Y407BX	Control Panel	X	X	X	X
3	8407-068BX	Transformer	X	X	X	X
4	8611-006	Ground Terminal	X	X	X	X
5	8401-033BX	Compressor Contactor	X	X		
5	8401-035BX	Compressor Contactor			X	X
6	135-122BX	Wire Shield	X	X	X	X
7	8201-176BX	Compressor Control Module	X	X	X	X
9	8607-017BX	Terminal Block (Optional)	X	X	X	X
10	8552-047BX	Compressor Capacitor	X			
10	8552-050BX	Compressor Capacitor		X		
10	8552-002BX	Outdoor Motor Capacitor			X	X
11	8201-130BX	Alarm Relay (Optional)	X	X	X	X
12	8551-004BX	Start Device (PTCR) (Optional)	X	X	X	X
13	8607-062BX	Low Voltage Terminal Strip	X	X	X	X
14	8611-140-1400	Cable Duct – 14" Piece	X	X	X	X
14	8611-140-0500	Cable Duct – 5" Piece	X	X	X	X
15	8201-174BX	Phase Monitor			X	X
16	8607-042	Blower Speed Terminal	X	X	X	X
17	8201-130BX	Blower Control Relay	X	X	X	X
18	141-595BX	Plug Support Bracket	X	X	X	X
NS	3000-1598BX	Bower Power Plug	X	X	X	X
NS	3000-1607BX	Blower Speed Plug	X			
NS	3000-1599BX	Blower Speed Plug		X	X	X
NS	3000-1524BX	Vent Jumper Plug	X	X	X	X
NS	8615-035BX	Circuit Breaker 20A 2 Pole (Opt.) ①	X			
NS	8615-036BX	Circuit Breaker 25A 2 Pole (Opt.) ①		X		
NS	8615-067BX	Toggle Disconnect (Optional) ①				X
NS	8615-056BX	Circuit Breaker 15A 3 Pole (Opt.) ①			X	
NS	8607-013BX	Terminal Block 2 Pole				X
NS	113-601BX	Terminal Block Bracket				X
NS	4213-126	Wiring Diagram	X			
NS	4213-124	Wiring Diagram		X		
NS	4213-224	Wiring Diagram			X	
NS	4213-624	Wiring Diagram				X
NS	3000-1224BX	Compressor Plug/Harness	X	X		
NS	3000-1231BX	Compressor Plug/Harness			X	X
NS	3003-126BX	Control Panel Harness		X		
NS	3003-127BX	Control Panel Harness			X	
NS	3003-128BX	Control Panel Harness				X
NS	3003-131BX	Control Panel Harness	X			
NS	3000-1608BX	Low Voltage Terminal Block Harness	X	X	X	X
NS	910-2048BX	Complete Low Voltage Box Assembly (Sheet Metal, LVTS & Wire Harness)	X	X	X	X

NS = Not Shown

① Circuit breakers listed are for units without electric heat, "OZ" models. See heater replacement parts manual for units with electric heat.

BLOWER ASSEMBLY



SEXP-944

Dwg No.	Part Number	Description	900-363-0147BX	900-363-0148BX
1	8105-064-0147BX	Blower Motor & Control (230/208V)	X	
1	8105-064-0148BX	Blower Motor & Control (230/208V)		X
1	C8105-064-0147	Programmed Control Only (230/208V)	O	
1	C8105-064-0148	Programmed Control Only (230/208V)		O
2	151-115BX	Housing	2	2
3	144-183BX	Cutoff	X	X
4	5152-092BX	Wheel 9-6 CW	X	X
5	5152-093BX	Wheel 9-6 CCW	X	X
6	105-1061BX	Back Brace	X	X
7	5451-011	Grommets	6	6
8	8200-031BX	Motor Mount	X	X
9	103-435BX	Front Brace	X	X
10	113-761BX	Motor Control Bracket	X	X

X – Standard Component
O – Optional Component