
REPLACEMENT PARTS MANUAL

Commercial Room Ventilator with Spring Return and Exhaust

Models:

CRV-V2 CRV-V3

General Notes

- Revised and/or additional pages may be issued from time to time.
- A complete and current manual consists of pages shown in the following contents section.

Important

- Contact the installing and/or local distributor for all parts requirements. Make sure to have the complete model and serial number available from the unit rating plates.

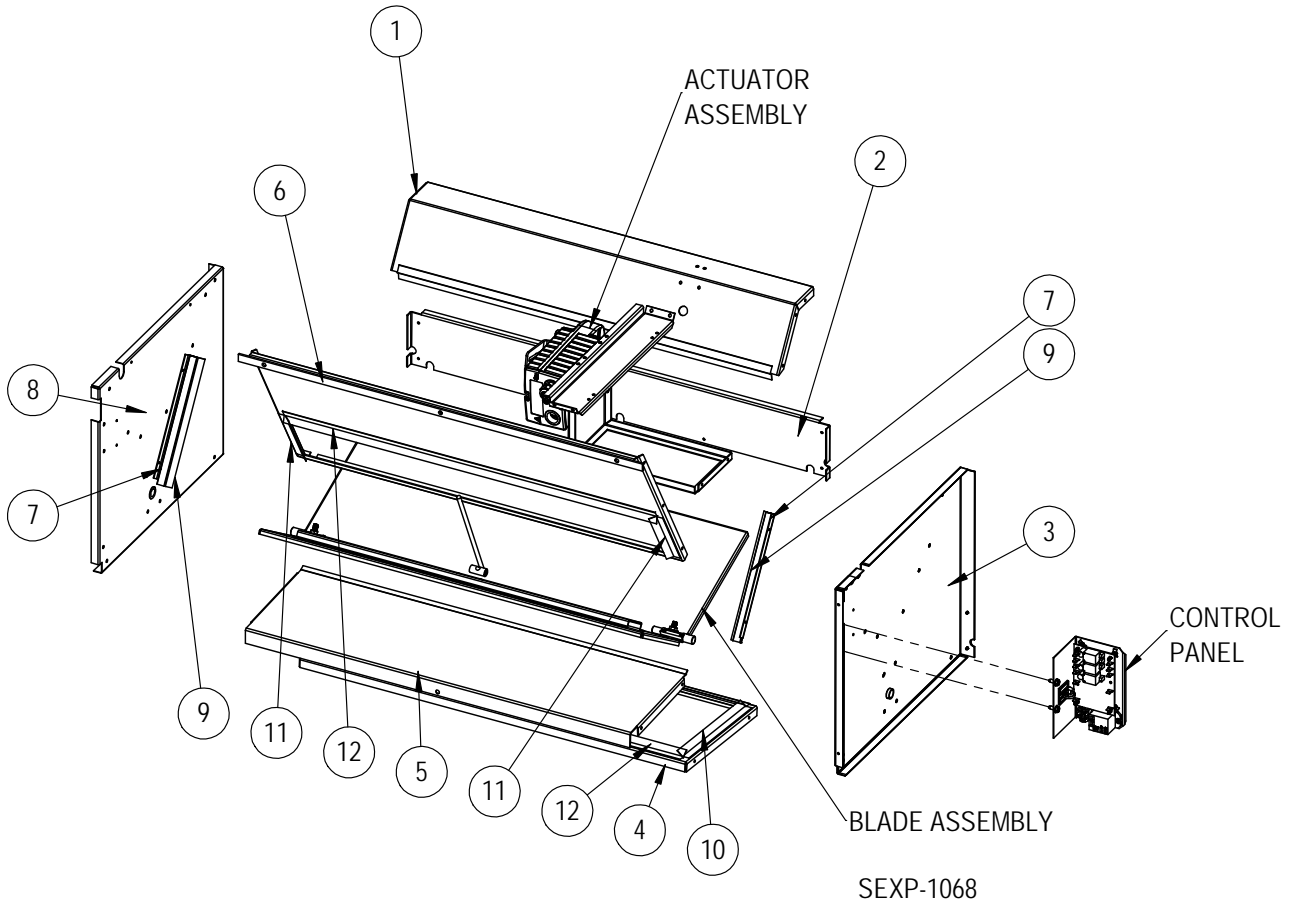
Contents

Description	Page
CRV-V2, CRV-V3 Commercial Room Ventilator	
♦ Exploded View	2
♦ Usage List	3
Blade Assembly	
♦ Layout View	4
♦ Usage List	4
Actuator Assembly	
♦ Exploded View	5
♦ Usage List	5
Control Panel Assembly	
♦ Layout View	6
♦ Usage List	6

BMC, Inc.
Bryan, Ohio 43506

Manual: 2110-1573
Supersedes: **NEW**
Date: 7-13-23

CRV-V2, CRV-V3 COMMERCIAL ROOM VENTILATOR

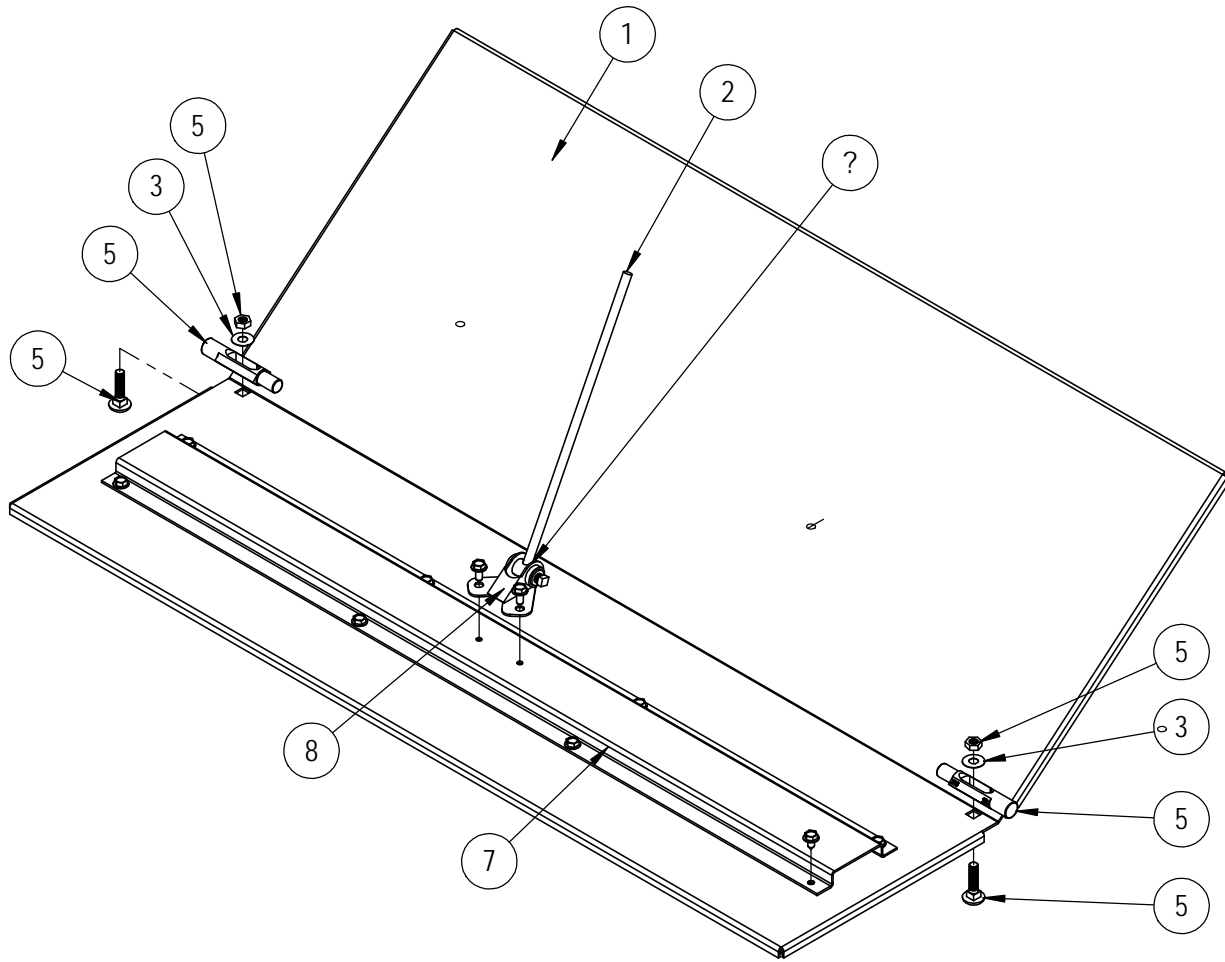


CRV-V2, CRV-V3 COMMERCIAL ROOM VENTILATOR

Drawing No.	Part No.	Description	CRV-V2	CRV-V3
1	137-864	Upper Rear Partition	X	
1	137-935	Upper Rear Partition		X
2	137-874	Lower Rear Fill	X	
2	137-873	Lower Rear Fill		X
3	101X955	Right Side	X	X
4	137-744	Lower Rear Partition	X	
4	137-740	Lower Rear Partition		X
5	137-869	Lower Front Partition	X	
5	137-829	Lower Front Partition		X
6	137-868	Upper Front Partition	X	
6	137-828	Upper Front Partition		X
7	105-1344	Blade Seal Angle	2	2
8	101Y955	Left Side	X	X
9	1921-067-0800	8" Damper Blade Seal	2	2
10	1921-067-0802	8-1/8" Damper Blade Seal	2	2
11	1921-067-0410	4-5/8" Damper Blade Seal	2	2
12	1921-067-2006	20-3/8" Damper Blade Seal	4	
12	1921-067-2504	25-1/4" Damper Blade Seal		4
NS	136-664	Condenser Cover Plate	X	
NS	136-751	Condenser Cover Plate		X
NS	136-1013BX	Return Fill Plate		X
NS	136-1014BX	Return Fill Plate	X	
NS	7003-076	Mist Filter 11-3/4"x20-7/8"x1/2"	X	
NS	7003-075	Mist Filter 11-3/4"x26-1/4"x1/2"		X
NS	4056A241	Wiring Diagram	X	X

NS = Not Shown

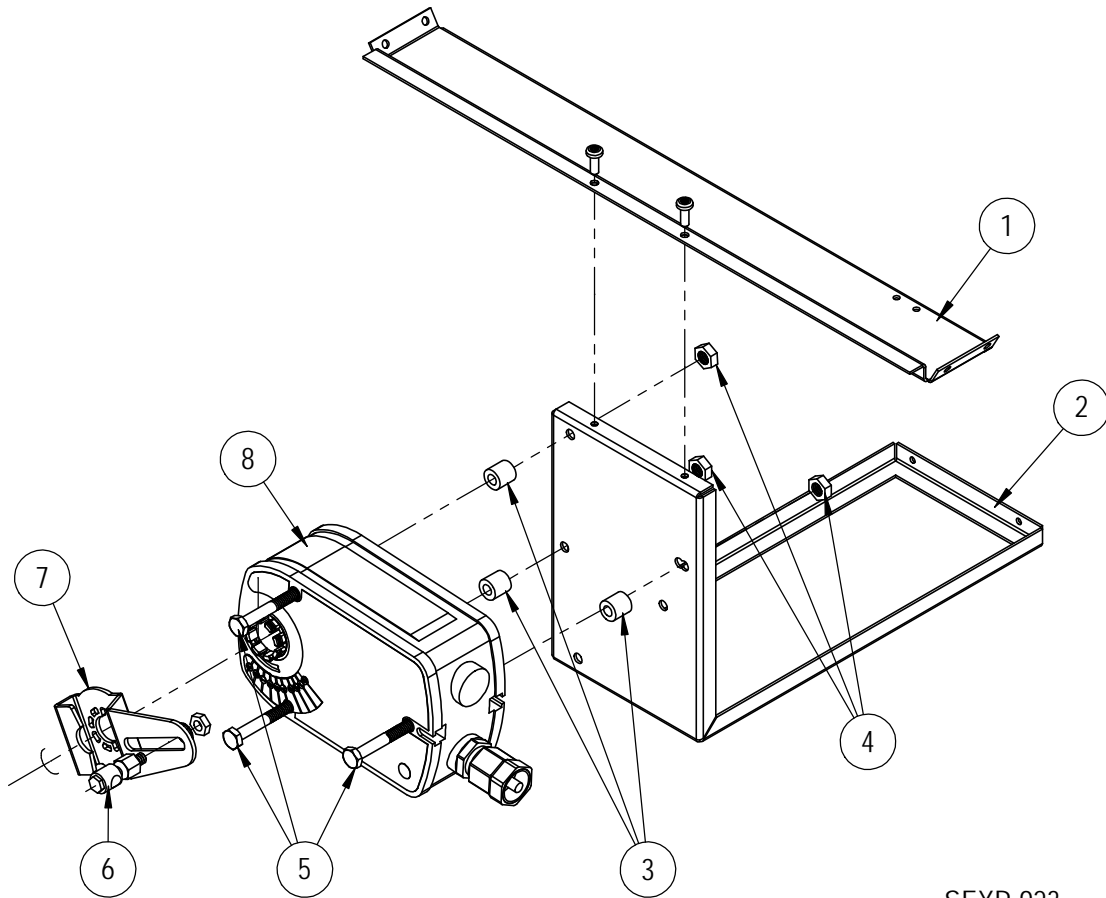
BLADE ASSEMBLY



SEXP-922

Drawing No.	Part No.	Description	CRV-V2	CRV-V3
1	139-355	Blade	X	
1	139-352	Blade		X
2	8602-044	1/4 x 7-1/2" Rod	X	X
3	1012-157	Washer	2	2
4	8602-040	BKP-24 Bracket	X	X
5	8602-038	Damper Pin with Hardware	2	2
6	141-433	Blade Support	X	
6	141-430	Blade Support		X
7	1012-348	Nylon Flat Washer	X	X

ACTUATOR ASSEMBLY

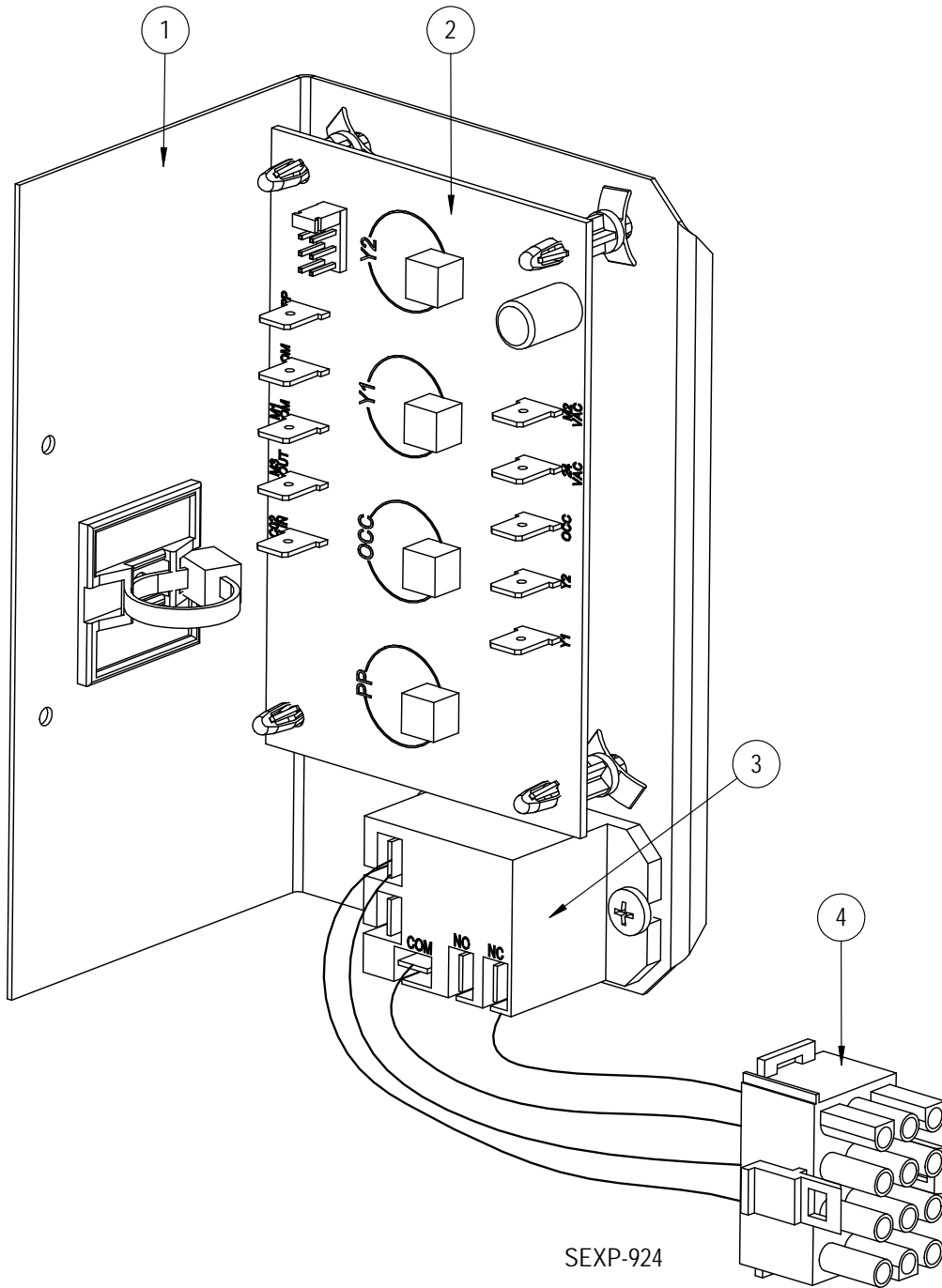


SEXP-923

Drawing No.	Part No.	Description	CRV-V2	CRV-V3
1	141-464	Actuator Support	X	X
2	141-465	Actuator Mount	X	
2	141-466	Actuator Mount		X
3	5451-029	Nylon Sleeve .257" I.D. X .5"	3	3
4	1012-201	1/4-20 Hex Nut	3	3
5	1012-174	1/4"-20X3 -1/4 Hex Screw	3	3
6	8602-008	Ball Joint	X	X
7	8602-078	Actuator Crank Arm	X	X
8	8602-075	Actuator	X	X
NS	1012-128	10-16X5/8" Torx PANHD Platinum	2	2

NS = Not Shown

CONTROL PANEL ASSEMBLY



Drawing No.	Part No.	Description	CRV-V2	CRV-V3
1	113-659	Control Board Bracket	X	X
2	8201-167	CRV Control Board	X	X
3	8201-130	Relay, SPDT Pilot Duty	X	X
4	3000-1619	Wire Assembly	X	X