
REPLACEMENT PARTS MANUAL

PACKAGE AIR CONDITIONER

Models:

PA13242-A PA13362-A
PA13302-A PA13362-B

General Notes

- Revised and/or additional pages may be issued from time to time.
- A complete and current manual consists of pages shown in the following contents section.

Important

- Contact the installing and/or local distributor for all parts requirements. Be sure to have the complete model and serial number available from the unit rating plates.

Contents

Description	Page
Cabinet Components	
♦ Exploded View	2
♦ Usage List.....	3
Functional Components	
♦ Exploded View	4
♦ Usage List.....	5
Control Panel – A Voltage Models	
♦ Layout View.....	6
♦ Usage List.....	7
Control Panel – B Voltage Models	
♦ Layout View.....	8
♦ Usage List.....	9

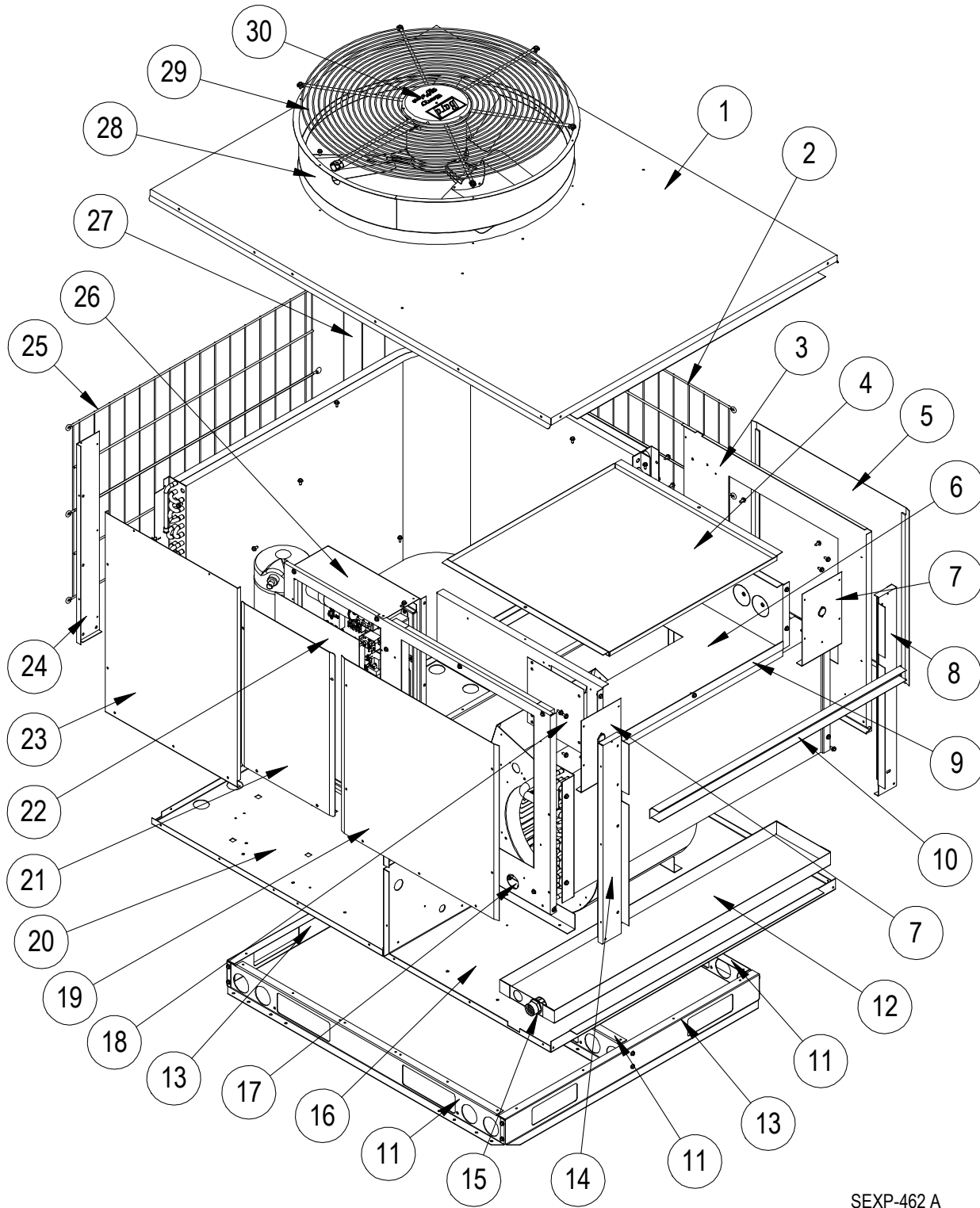


Climate Control Solutions

Bard Manufacturing Company, Inc.
Bryan, Ohio 43506
www.bardhvac.com

Manual: 2110-216I
Supersedes: 2110-216H
Date: 1-5-16

CABINET COMPONENTS

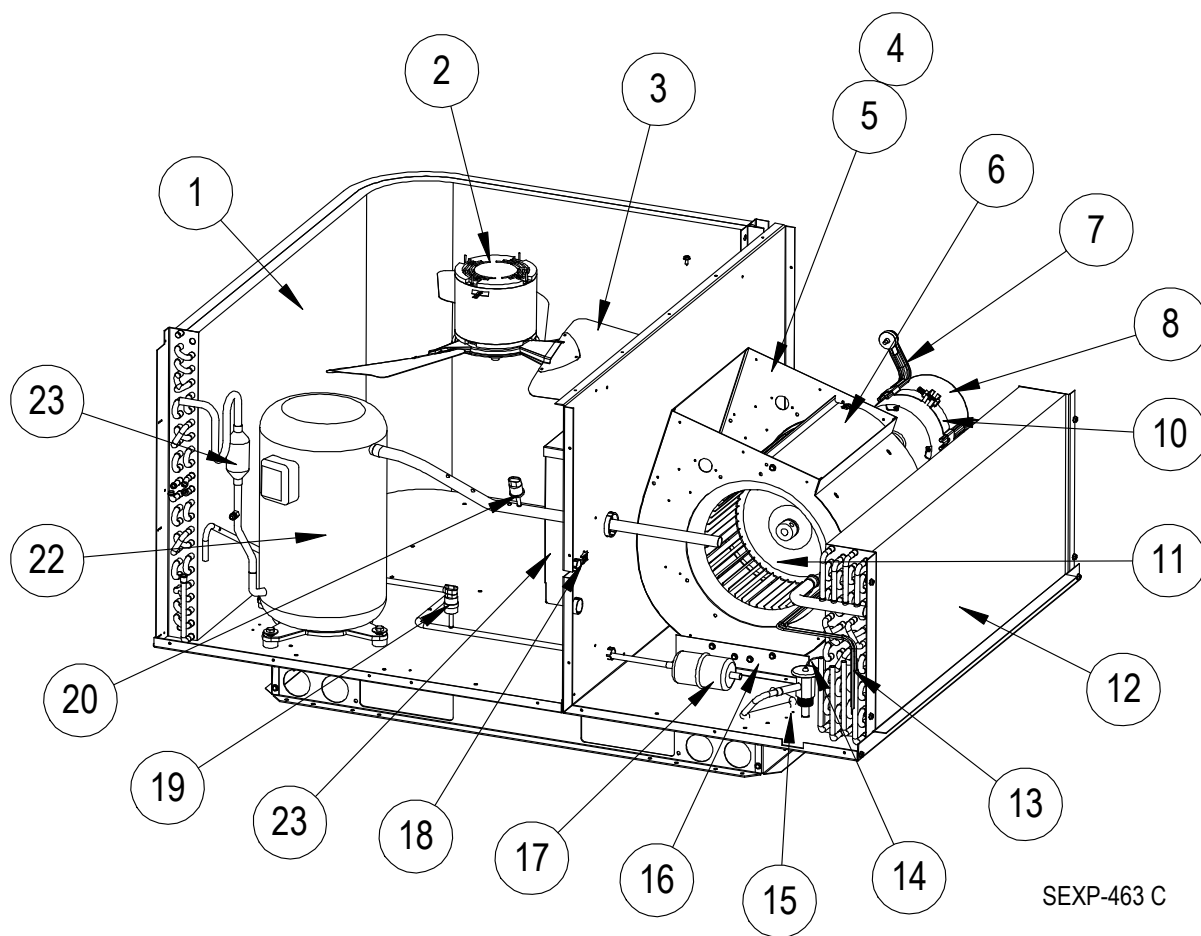


SEXP-462 A

CABINET COMPONENTS

Dwg No.	Part Number	Description	PA13242-A	PA13302-A	PA13362-A	PA13362-B
1	507-252-X	Top	X	X	X	X
2	7051-052	Side Condenser Grille	X	X	X	X
3	501-468-X	Left Side	X	X	X	X
4	134-017	Heat Strip Shield	X	X	X	X
5	S553-394-X	Heater Access Door	X	X	X	X
6	521-397	Blower Partition	X	X	X	X
7	137-504	Blower Partition Side Fill	2	2	2	2
8	549-101-X	Left Rear Corner	X	X	X	X
9	104-1174	Plenum Support Angle	X	X	X	X
10	165-589-X	Plenum Channel	X	X	X	X
11	103-475-X	Base Rail Side	3	3	3	3
12	S123-113	Drain Pan with Fitting	X	X	X	X
13	103-476-X	Base Rail End	2	2	2	2
14	549-102-X	Right Rear Corner	X	X	X	X
15	6094-003	Drain Pan Fitting	X	X	X	X
16	S127-378-X	Indoor Base	X	X	X	X
17	S501-467-X	Right Side	X	X	X	X
18	142-017	OKW Cover Plate	X	X	X	X
19	S553-402-X	Blower Access Door	X	X	X	X
20	127-397-X	Outdoor Base	X	X	X	X
21	S153-395-X	Outer Control Panel Door	X	X	X	X
22	S153-397	Inner Control Panel Door	X	X	X	X
23	S153-396-X	Compressor Access Door	X	X	X	X
24	149-100-X	Right Front Corner	X	X	X	X
25	7051-051	Front Condenser Grille	X	X	X	X
26	Control Panel Assembly - See Drawing		X	X	X	X
27	149-099-X	Left Front Corner	X	X	X	X
28	S167-014-X	Fan Venturi	X	X	X	X
29	7051-018	Fan and Motor Mount Grille	X	X	X	X
30	5252-009	Bard Nameplate	X	X	X	X

FUNCTIONAL COMPONENTS



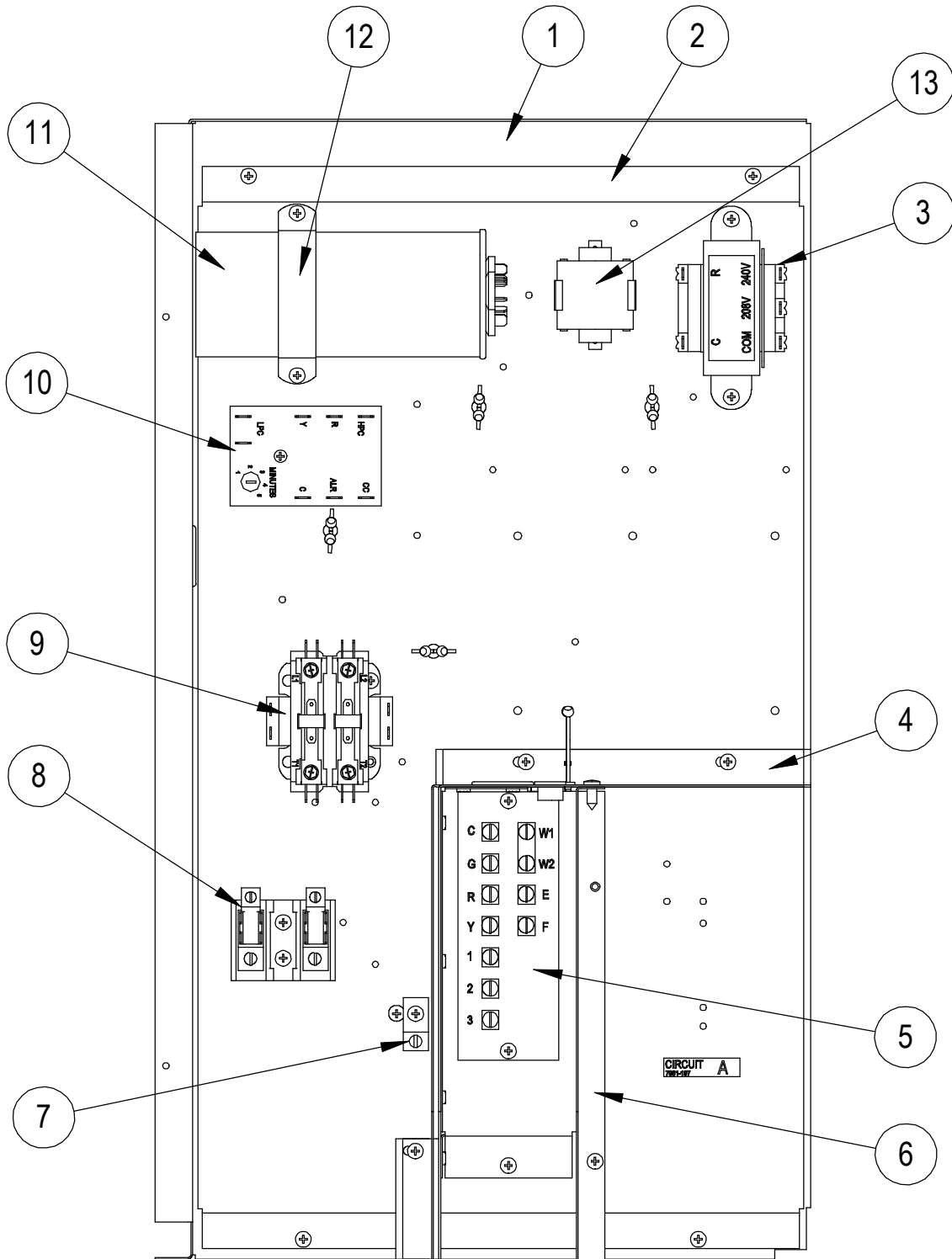
SEXP-463 C

FUNCTIONAL COMPONENTS

Dwg No.	Part Number	Description	PA13242-A	PA13302-A	PA13362-A	PA13362-B
1	5051-134BX	Condenser Coil	X			
1	5051-135BX	Condenser Coil		X	X	X
2	8102-013	Outdoor Motor	X	X	X	X
3	5151-056	Fan Blade	X	X	X	X
4	900-287-001	Complete Blower Assembly	X	X		
4	900-288-002	Complete Blower Assembly			X	X
5	151-097	Blower Housing	X	X	X	X
6	144-130	Diffuser	X	X	X	X
7	8620-034	Motor Mount Kit	X	X	X	X
8	8105-056-0050	Programmed 1/3 HP Motor	X	X		
8	C8105-056-0050	Motor Control-Only Replacement	X	X		
8	8106-045-0049	Programmed 1/2 HP Motor			X	X
8	C8106-045-0049	Motor Control-Only Replacement			X	X
10	8620-034	Motor Mount Kit	X	X	X	X
11	5152-049	Blower Wheel	X	X	X	X
12	5060-127BX	Evaporator Coil	X			
12	5060-126BX	Evaporator Coil		X	X	X
13	S800-0350	Cooling Distributor 2 Outlet	X			
13	S800-0349	Cooling Distributor 4 Outlet		X	X	X
14	5651-181	Expansion Valve	X	X	X	X
15	112-330	Cooling TXV Mounting Bracket	X	X	X	X
16	104-1043	Blower Leg	2	2	2	2
17	5201-001	Filter Drier	X	X	X	X
18	3000-1245	6 Pin Plug for Heater Package	X	X	X	X
19	1804-0327	High Pressure Switch	X	X	X	X
20	1804-0386	Low Pressure Switch	X	X	X	X
22	8000-279	Compressor	X			
22	8000-280	Compressor		X		
22	8000-281	Compressor			X	
22	8000-282	Compressor				X
23	5220-010	Discharge Muffler	N/A	X	X	X

N/A – Not Applicable

CONTROL PANEL - A VOLTAGE MODELS



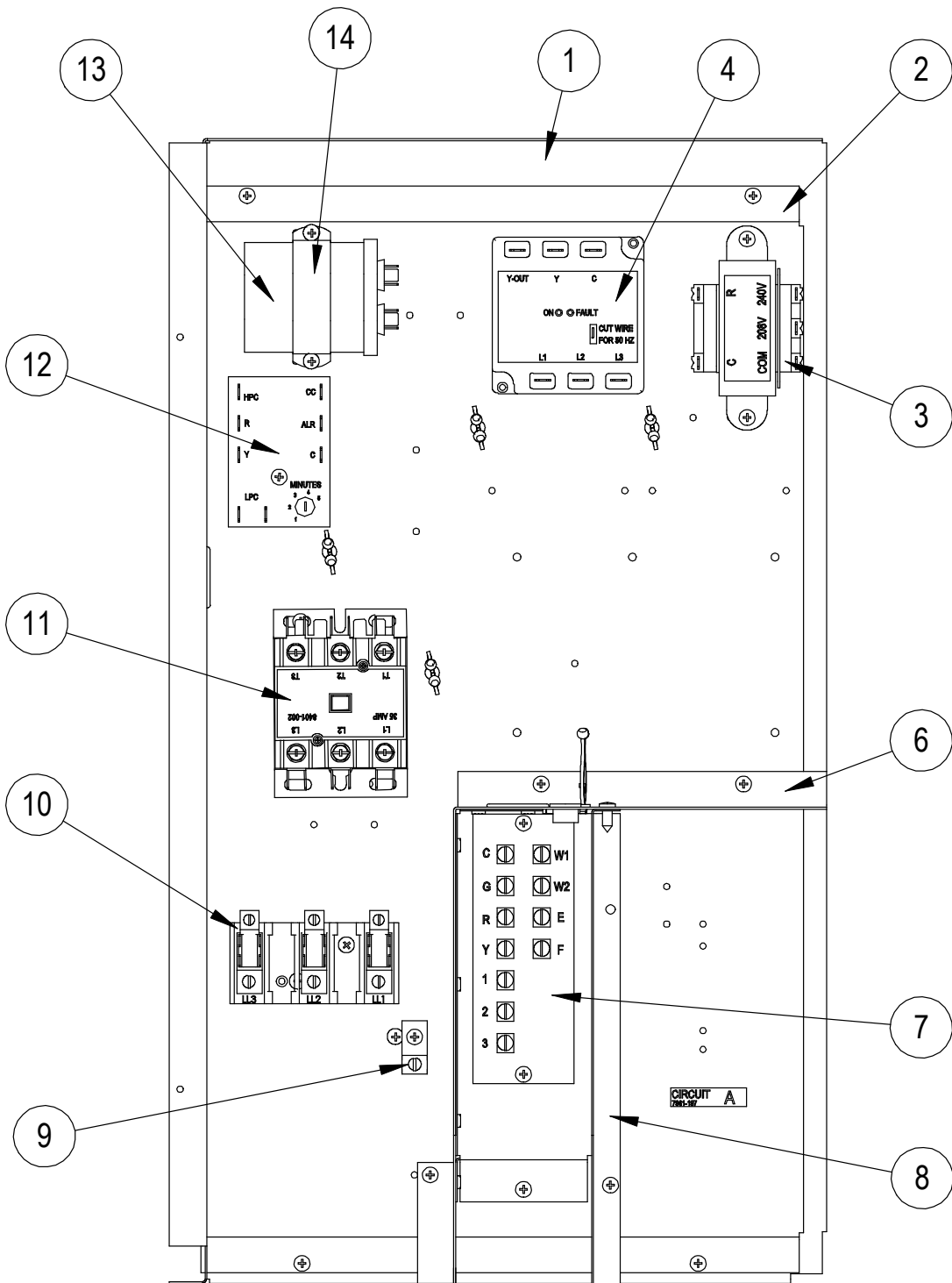
SEXP-466 B

CONTROL PANEL – A VOLTAGE MODELS

Dwg No.	Part Number	Description	PA13242-A	PA13302-A	PA13362-A
1	117-262	Control Panel	X	X	X
2	117-261	Control Mounting Plate	X	X	X
3	8407-035	Transformer	X	X	X
4	117-263	Low Voltage Box Assembly	X	X	X
5	8607-020	Terminal Strip	X	X	X
6	135-218	Terminal Shield	X	X	X
7	8611-006	Ground Terminal	X	X	X
8	8607-013	Terminal Block	X	X	X
9	8401-006	Contactactor	X	X	X
10	8201-088	Compressor Control Module	X	X	X
11	8552-047	Capacitor 30/5 MFD 370V	X		
11	8552-048	Capacitor 35/5 MFD 370V			
11	8552-050	Capacitor 40/5 MFD 370V		X	X
12	8550-007	Capacitor Bracket	X		
12	8550-008	Capacitor Bracket		X	X
13	8551-004	Motor Starting Device	X	X	X
NS	4109A107	Wiring Diagram	X		X
NS	4109A105	Wiring Diagram		X	
NS	4109A108	Ladder Diagram	X		X
NS	4109A106	Ladder Diagram		X	

NS = Not Shown

CONTROL PANEL – B VOLTAGE MODELS



SEXP-468 A

CONTROL PANEL – B VOLTAGE MODELS

PA13362-B

Dwg No.	Part Number	Description	
1	117-262	Control Panel	X
2	117-261	Control Mounting Plate	X
3	8407-035	Transformer	X
4	8201-085	Phase Monitor	X
6	117-263	Low Voltage Box Assembly	X
7	8607-020	Terminal Strip	X
8	135-218	Terminal Shield	X
9	8611-006	Ground Terminal	X
10	8607-014	Terminal Block	X
11	8401-002	Contactor	X
12	8201-088	Compressor Control Module	X
13	8552-002	Capacitor 5 MFD 370V	X
14	8550-003	Capacitor Bracket	X
NS	4109A207	Wiring Diagram	X
NS	4109A208	Ladder Diagram	X

NS = Not Shown