

---

# REPLACEMENT PARTS MANUAL

---

## PACKAGE HEAT PUMP

Models:

PH13242-A    PH13363-A  
PH13302-A    PH13363-B

---

### General Notes

- Revised and/or additional pages may be issued from time to time.
- A complete and current manual consists of pages shown in the following contents section.

### Important

- Contact the installing and/or local distributor for all parts requirements. Be sure to have the complete model and serial number available from the unit rating plates.

### Contents

Description	Page
Cabinet Components	
♦ Exploded View .....	2
♦ Usage List.....	3
Functional Components	
♦ Exploded View .....	4
♦ Usage List.....	5
Control Panel – A Voltage Models	
♦ Layout View.....	6
♦ Usage List.....	7
Control Panel – B Voltage Models	
♦ Layout View.....	8
♦ Usage List.....	9

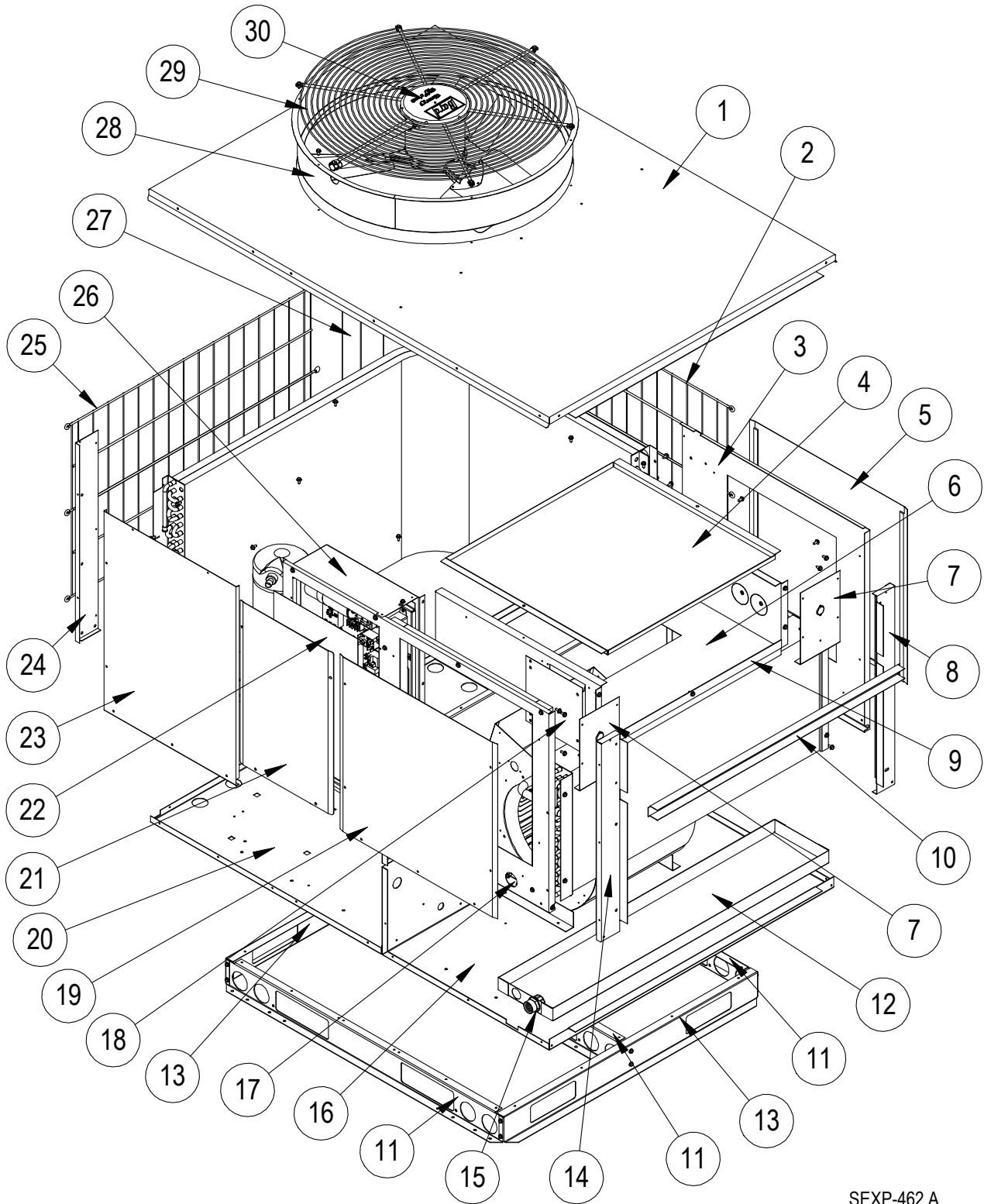


*Climate Control Solutions*

Bard Manufacturing Company, Inc.  
Bryan, Ohio 43506  
www.bardhvac.com

Manual: 2110-262J  
Supersedes: 2110-262I  
Date: 1-5-16

# CABINET COMPONENTS



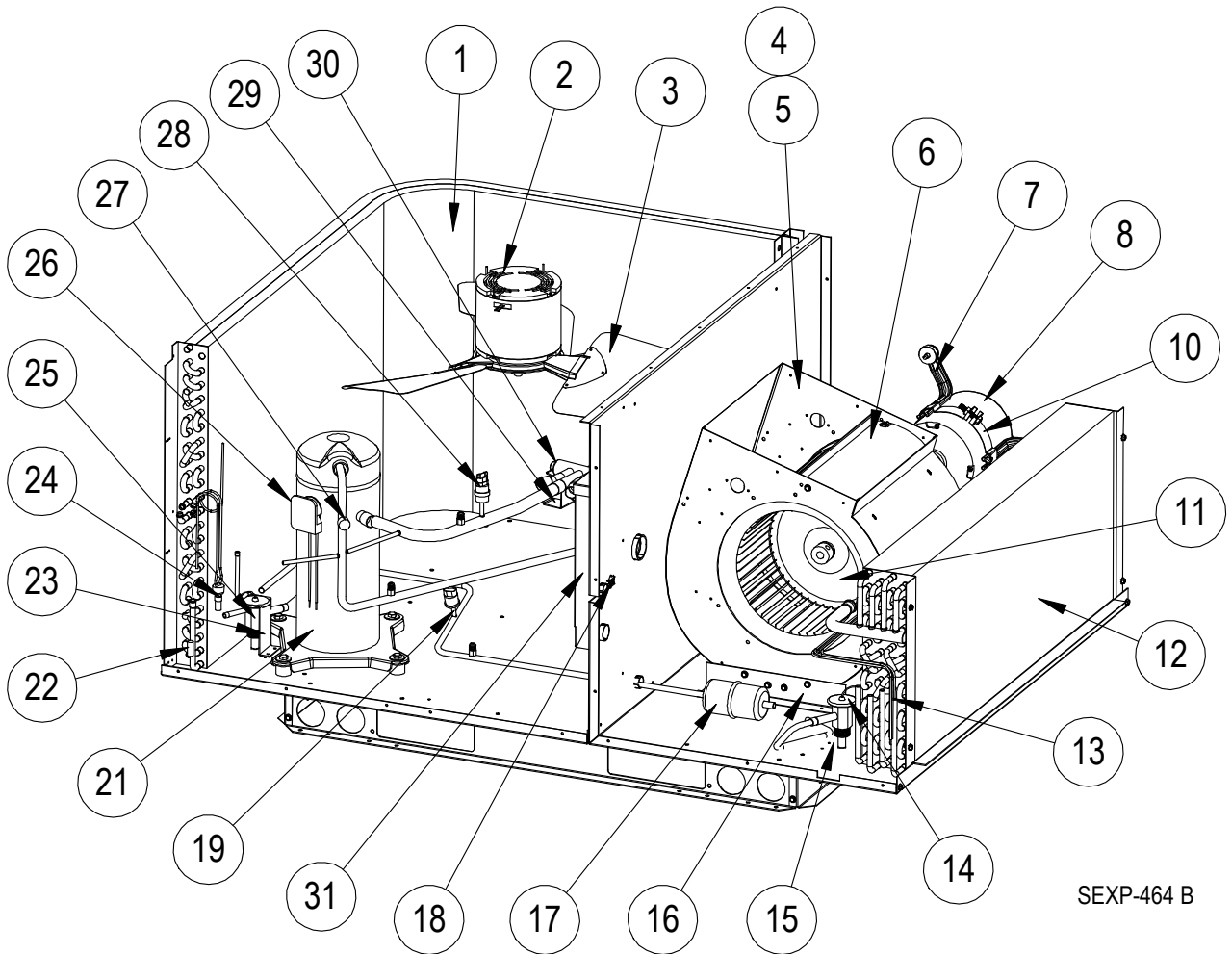
SEXP-462 A

# CABINET COMPONENTS

Dwg No.	Part Number	Description	PH13242-A	PH13302-A	PH13363-A	PH13363-B
1	507-252-X	Top	X	X	X	X
2	7051-052	Side Condenser Grille	X	X	X	X
3	501-468-X	Left Side	X	X	X	X
4	134-017	Heat Strip Shield	X	X	X	X
5	S553-394-X	Heater Access Door	X	X	X	X
6	521-397	Blower Partition	X	X	X	X
7	137-504	Blower Partition Side Fill	2	2	2	2
8	549-101-X	Left Rear Corner	X	X	X	X
9	104-1174	Plenum Support Angle	X	X	X	X
10	165-589-X	Plenum Channel	X	X	X	X
11	103-475-X	Base Rail Side	3	3	3	3
12	S123-113	Drain Pan with Fitting	X	X	X	X
13	103-476-X	Base Rail End	2	2	2	2
14	549-102-X	Right Rear Corner	X	X	X	X
15	6094-003	Drain Pan Fitting	X	X	X	X
16	S127-378-X	Indoor Base	X	X	X	X
17	S501-467-X	Right Side	X	X	X	X
18	142-017	OKW Cover Plate	X	X	X	X
19	S553-402-X	Blower Access Door	X	X	X	X
20	127-397-X	Outdoor Base	X	X	X	X
21	S153-395-X	Outer Control Panel Door	X	X	X	X
22	S153-397	Inner Control Panel Door	X	X	X	X
23	S153-396-X	Compressor Access Door	X	X	X	X
24	149-100-X	Right Front Corner	X	X	X	X
25	7051-051	Front Condenser Grille	X	X	X	X
26	Control Panel Assembly - See Drawing		X	X	X	X
27	149-099-X	Left Front Corner	X	X	X	X
28	S167-014-X	Fan Venturi	X	X	X	X
29	7051-018	Fan and Motor Mount Grille	X	X	X	X
30	5252-009	Bard Nameplate	X	X	X	X

# FUNCTIONAL COMPONENTS

---



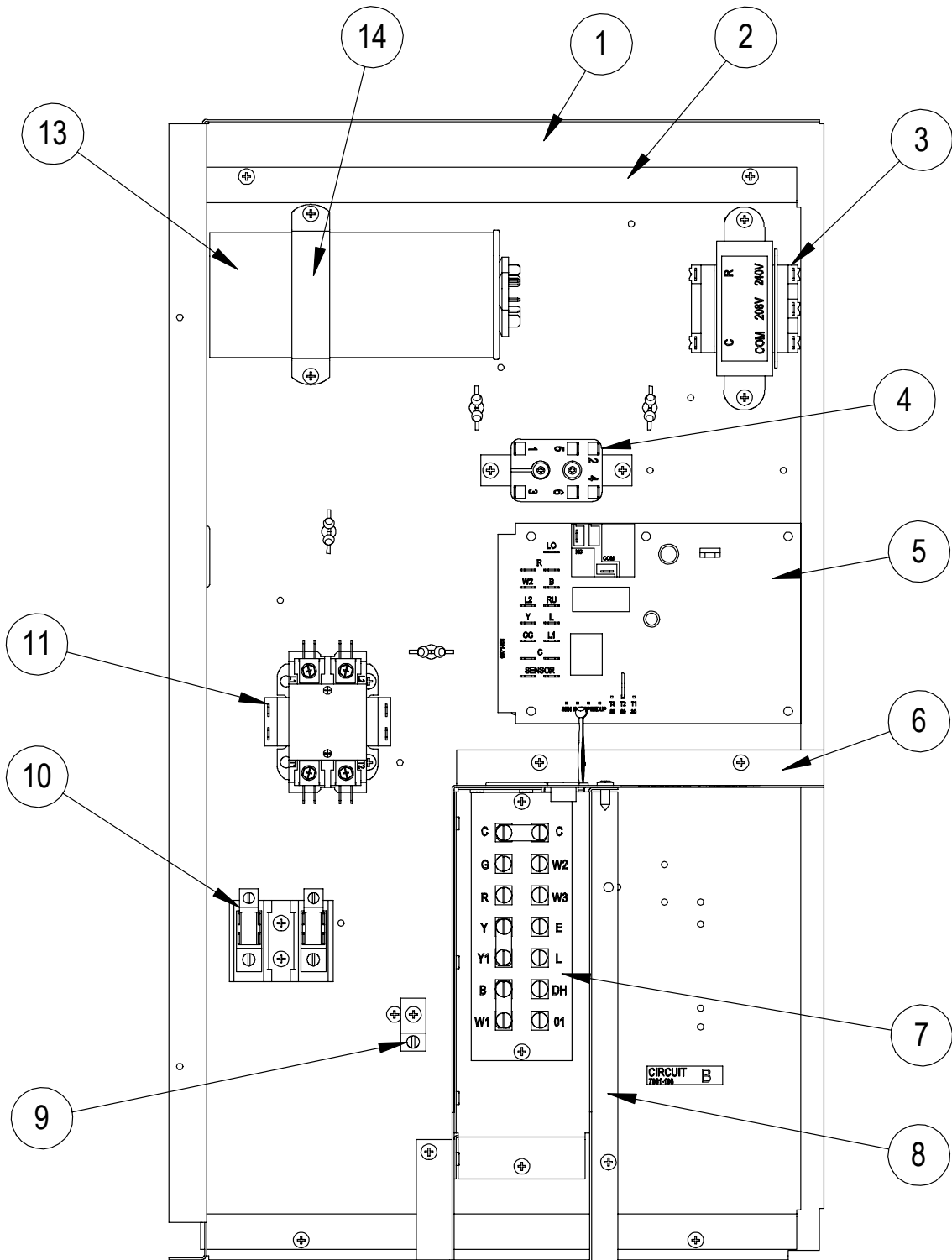
SEXP-464 B

## FUNCTIONAL COMPONENTS

Dwg No.	Part Number	Description	PH13242-A	PH13302-A	PH13363-A	PH13363-B
1	5051-132BX	Condenser Coil	X			
1	5051-133BX	Condenser Coil		X	X	X
2	8102-013	Outdoor Motor	X	X	X	X
3	5151-056	Fan Blade	X	X	X	X
4	900-287-001	Complete Blower Assembly	X	X		
4	900-288-002	Complete Blower Assembly			X	X
5	151-097	Blower Housing	X	X	X	X
6	144-130	Diffuser	X	X	X	X
7	8620-034	Motor Mount Kit	X	X	X	X
8	8105-056-0050	Programmed 1/3 HP Motor	X	X		
8	C8105-056-0050	Motor Control-Only Replacement	X	X		
8	8106-045-0049	Programmed 1/2 HP Motor			X	X
8	C8106-045-0049	Motor Control-Only Replacement			X	X
10	8620-034	Motor Mount Kit	X	X	X	X
11	5152-049	Blower Wheel	X	X	X	X
12	5060-125BX	Evaporator Coil	X			
12	5060-126BX	Evaporator Coil		X		
12	917-0170	Evaporator Coil			X	X
13	S800-0348	Cooling Distributor 4 Outlet	X			
13	S800-0349	Cooling Distributor 4 Outlet		X		
13	S800-0407	Cooling Distributor 4 Outlet			X	X
14	5651-176	Cooling Expansion Valve	X	X	X	X
15	113-325	Cooling TXV Mounting Bracket	X	X	X	X
16	104-1043	Blower Leg	2	2	2	2
17	5201-009	Bi-Directional Filter Drier	X	X	X	X
18	3000-1236	6 Pin Plug for Heater Package	X	X	X	X
19	1804-0385	High Pressure Switch	X	X	X	X
21	8000-276	Compressor	X			
21	8000-277	Compressor		X		
21	8000-278	Compressor			X	
21	8000-283	Compressor				X
22	8620-224	Defrost Sensor Replacement Kit	X	X	X	X
23	112-326	Heating TXV Mounting Bracket	X	X		
23	112-413	Heating TXV Mounting Bracket			X	X
24	S800-0347	Heating Distributor 2 Outlet	N/A	X	X	X
25	5651-177	Heating Expansion Valve	X	X		
25	5651-210	Heating Expansion Valve			X	X
26	3000-1237	Compressor Power Lead	X	X	X	
26	3000-1244	Compressor Power Lead				X
27	8408-039	Discharge Line Thermostat	X	X	X	X
28	1804-0107	Low Pressure Switch	X	X	X	X
29	5650-042	24V Solenoid Coil (Red Casing-Ranco)	X	X	X	X
29	5650-046	24V Solenoid Coil (Black Casing-San Hua)	X	X	X	X
30	5650-038	Reversing Valve w/Solenoid Coil	X	X	X	X

N/A – Not Applicable

# CONTROL PANEL - A VOLTAGE MODELS



SEXP-465 A

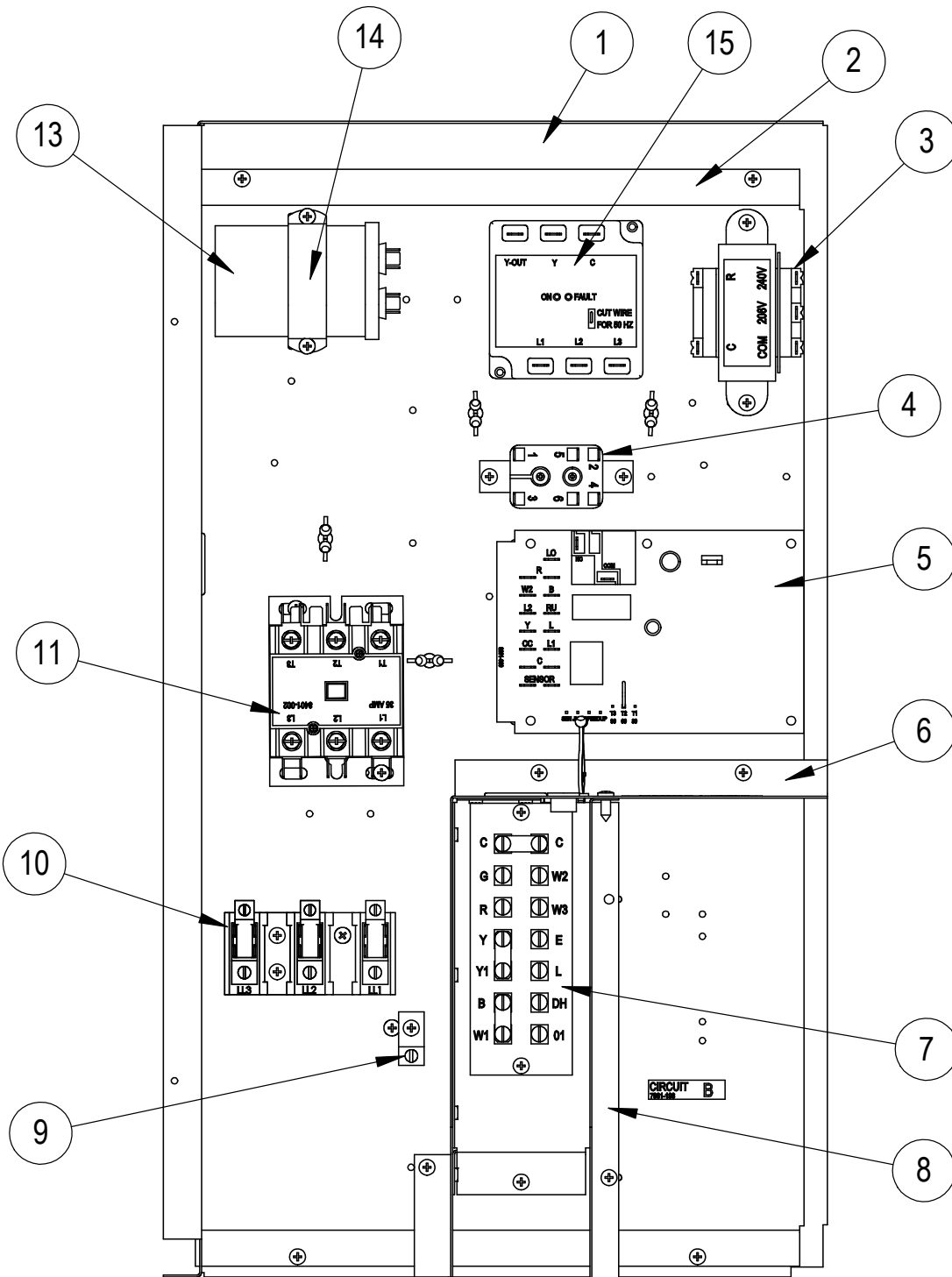
## CONTROL PANEL – A VOLTAGE MODELS

---

Dwg No.	Part Number	Description	PH13242-A	PH13302-A	PH13363-A
1	117-262	Control Panel	X	X	X
2	117-261	Control Mounting Plate	X	X	X
3	8407-035	Transformer	X	X	X
4	8201-015	Relay	X	X	X
5	8620-223	Heat Pump Control	X	X	X
6	117-263	Low Voltage Box Assembly	X	X	X
7	8607-019	Terminal Strip	X	X	X
8	135-218	Terminal Shield	X	X	X
9	8611-006	Ground Terminal	X	X	X
10	8607-013	Terminal Block	X	X	X
11	8401-006	Contactora	X	X	X
13	8552-048	Capacitor 35/5 MFD 370V	X		
13	8552-050	Capacitor 40/5 MFD 370V		X	
13	8552-052	Capacitor 45/5 MFD 370V			X
14	8550-007	Capacitor Bracket	X		
14	8550-008	Capacitor Bracket		X	X
NS	4110A111	Wiring Diagram	X		X
NS	4110A110	Wiring Diagram		X	
NS	4110A109	Ladder Diagram	X		X
NS	4110A107	Ladder Diagram		X	

NS = Not Shown

# CONTROL PANEL - B VOLTAGE MODELS



SEXP-467 B



# CONTROL PANEL – B VOLTAGE MODELS

---

PH13363-B

Dwg No.	Part Number	Description	
1	117-262	Control Panel	X
2	117-261	Control Mounting Plate	X
3	8407-035	Transformer	X
4	8201-015	Relay	X
5	8620-223	Heat Pump Control	X
6	117-263	Low Voltage Box Assembly	X
7	8607-019	Terminal Strip	X
8	135-218	Terminal Shield	X
9	8611-006	Ground Terminal	X
10	8607-014	Terminal Block	X
11	8401-002	Contacto	X
13	8552-002	Capacitor 5 MFD 370V	X
14	8550-003	Capacitor Bracket	X
15	8201-085	Phase Monitor	X
NS	4110A209	Wiring Diagram	X
NS	4110A207	Ladder Diagram	X

NS = Not Shown