
REPLACEMENT PARTS MANUAL

PACKAGE HEAT PUMP

Models:

PH13422-A
PH13482-A
PH13602-A

PH13422-B
PH13482-B
PH13602-B

PH13422-C
PH13482-C
PH13602-C

General Notes

- Revised and/or additional pages may be issued from time to time.
- A complete and current manual consists of pages shown in the following contents section.

Important

- Contact the installing and/or local distributor for all parts requirements. Be sure to have the complete model and serial number available from the unit rating plates.

Contents

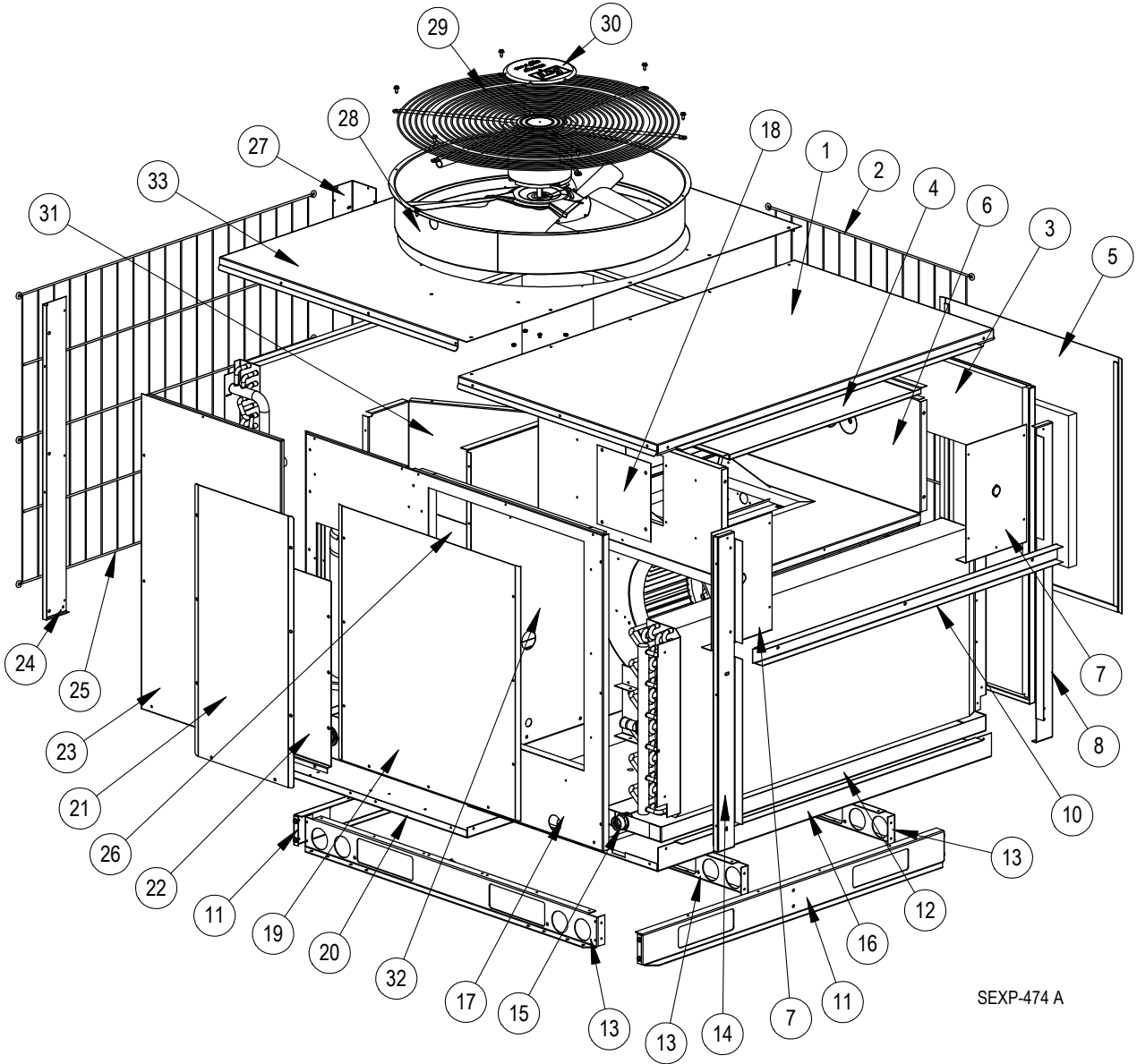
Description	Page
Cabinet Components	
♦ Exploded View.....	2
♦ Usage List.....	3
Functional Components	
♦ Exploded View.....	4
♦ Usage List.....	5
Control Panel – A Voltage Models	
♦ Layout View.....	6
♦ Usage List.....	7
Control Panel – B Voltage Models	
♦ Layout View.....	8
♦ Usage List.....	9
Control Panel – C Voltage Models	
♦ Layout View.....	10
♦ Usage List.....	11



Bard Manufacturing Company, Inc.
Bryan, Ohio 43506
www.bardhvac.com

Manual: 2110-264K
Supersedes: 2110-264J
Date: 1-5-16

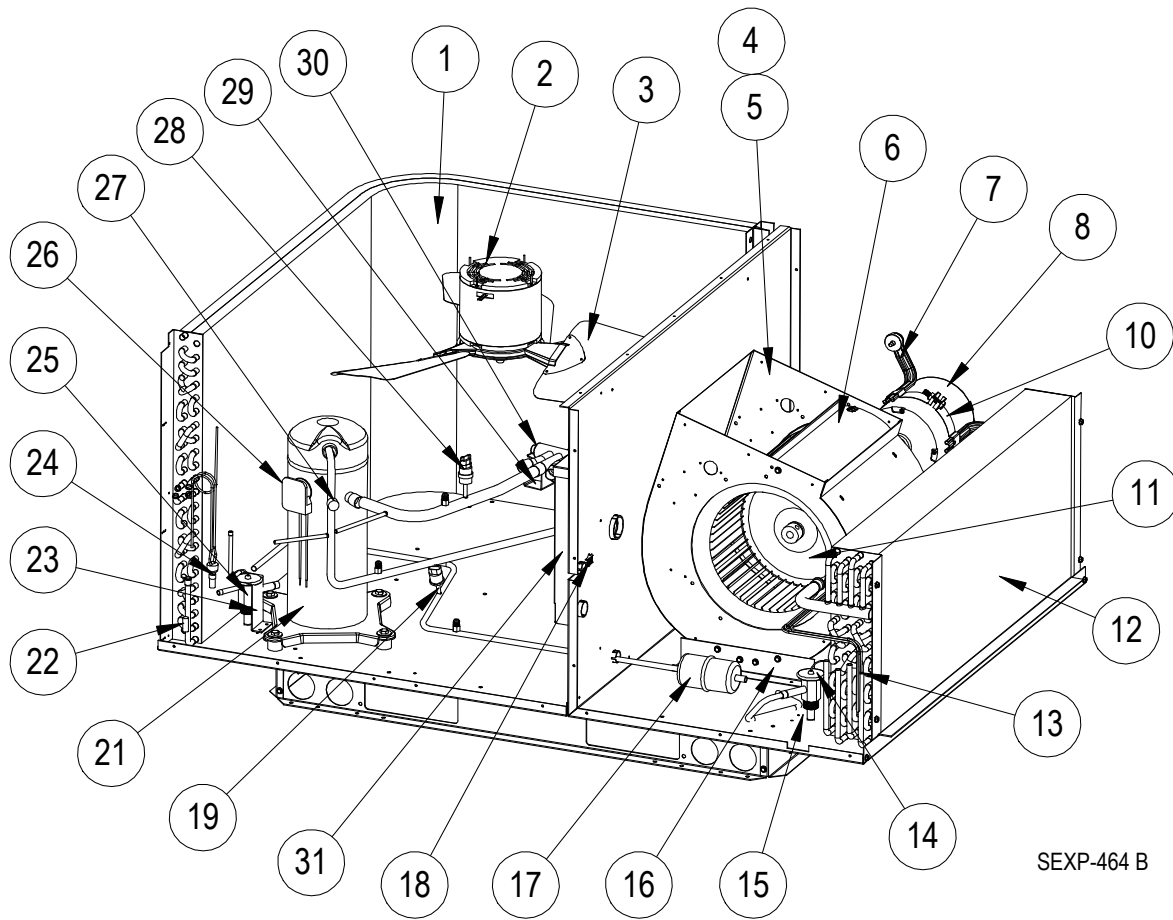
CABINET COMPONENTS



CABINET COMPONENTS

Dwg No.	Part Number	Description	PH13422-A	PH13422-B	PH13422-C	PH13482-A	PH13482-B	PH13482-C	PH13602-A	PH13602-B	PH13602-C
1	507-255-X	Indoor Top	X	X	X	X	X	X	X	X	X
2	7051-054	Side Condenser Grille	X	X	X	X	X	X	X	X	X
3	501-474-X	Left Side	X	X	X	X	X	X	X	X	X
4	134-134	Heat Strip Shield	X	X	X	X	X	X	X	X	X
5	S553-409-X	Blower Access Door	X	X	X	X	X	X	X	X	X
6	521-400	Blower Partition	X	X	X	X	X	X	X	X	X
7	137-513	Blower Partition Side Fill	2	2	2	2	2	2	2	2	2
8	549-106-X	Left Rear Corner	X	X	X	X	X	X	X	X	X
10	165-590-X	Plenum Channel	X	X	X	X	X	X	X	X	X
11	103-474-X	Base Rail	2	2	2	2	2	2	2	2	2
12	S123-114	Drain Pan with Fitting	X	X	X	X	X	X	X	X	X
13	103-475-X	Center Base Rail	3	3	3	3	3	3	3	3	3
14	549-103-X	Right Rear Corner	X	X	X	X	X	X	X	X	X
15	6094-003	Drain Pan Fitting	X	X	X	X	X	X	X	X	X
16	S127-376-X	Indoor Base	X	X	X	X	X	X	X	X	X
17	S501-473-X	Right Side	X	X		X	X		X	X	
17	S501-512-X	Right Side			X			X			X
18	142-045	OKW Cover Plate	X	X	X	X	X	X	X	X	X
19	S553-400-X	Heater Access Door	X	X	X	X	X	X	X	X	X
20	127-398-X	Outdoor Base	X	X	X	X	X	X	X	X	X
21	S153-399-X	Outer Control Panel Door	X	X	X	X	X	X	X	X	X
22	S153-397	Inner Control Panel Door	X	X	X	X	X	X	X	X	X
23	S153-398-X	Compressor Access Door	X	X	X	X	X	X	X	X	X
24	149-104-X	Right Front Corner	X	X	X	X	X	X	X	X	X
25	7051-053	Front Condenser Grille	X	X	X	X	X	X	X	X	X
26	Control Panel Assembly – See Drawing		X	X	X	X	X	X	X	X	X
27	149-105-X	Left Front Corner	X	X	X	X	X	X	X	X	X
28	S167-014-X	Fan Venturi	X	X	X	X	X	X	X	X	X
29	7051-018	Fan and Motor Mount Grille	X	X	X	X	X	X	X	X	X
30	5252-009	Bard Nameplate	X	X	X	X	X	X	X	X	X
31	135X223	Control Panel Rain Shield	X	X	X	X	X	X	X	X	X
32	S521X399	Condenser Partition	X	X	X	X	X	X	X	X	X
33	107-254-X	Outdoor Top	X	X	X	X	X	X	X	X	X

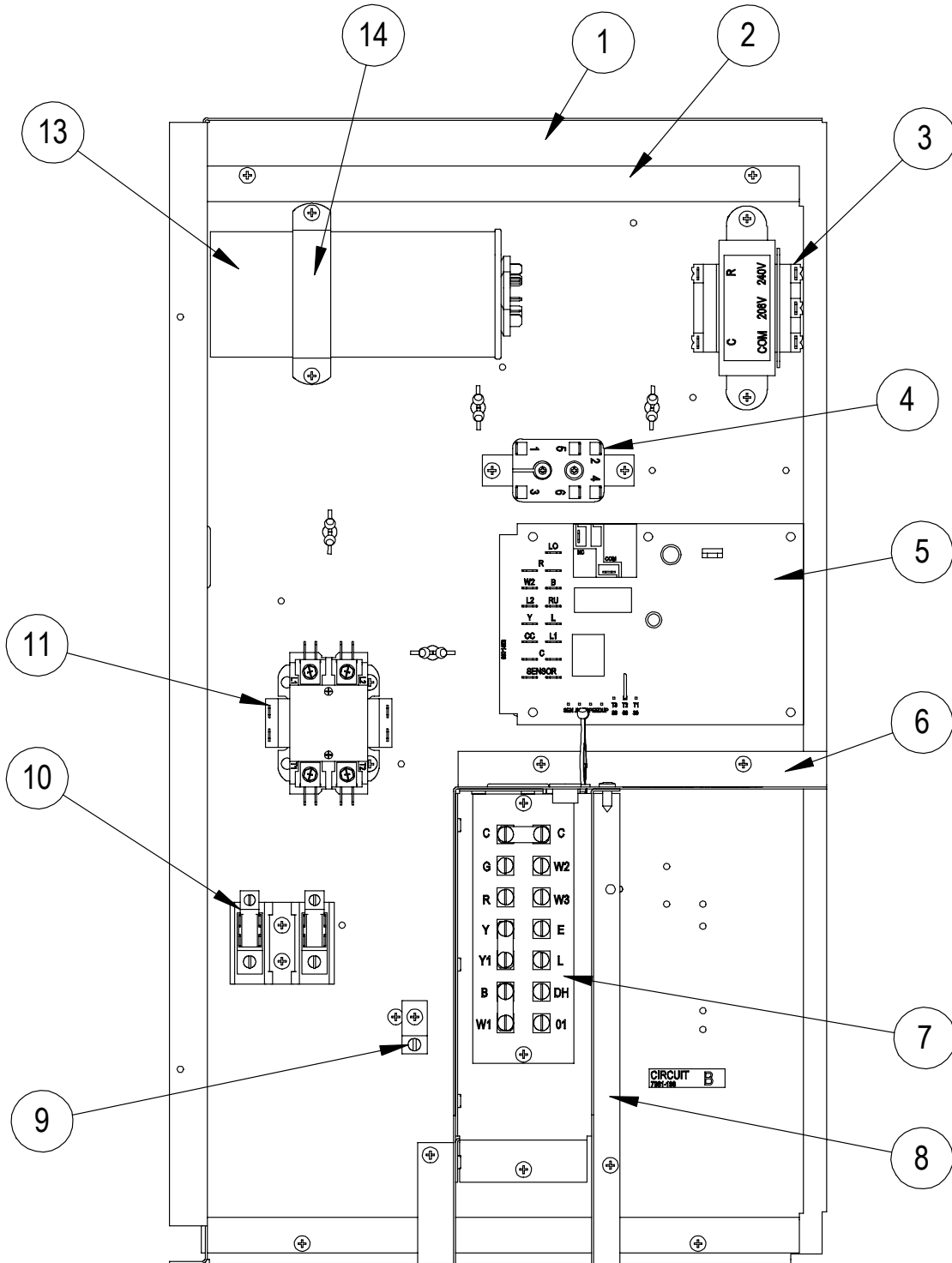
FUNCTIONAL COMPONENTS



FUNCTIONAL COMPONENTS

Dwg No.	Part Number	Description	PH13422-A	PH13422-B	PH13422-C	PH13482-A	PH13482-B	PH13482-C	PH13602-A	PH13602-B	PH13602-C
1	5051-139BX	Condenser Coil	X	X	X	X	X	X			
1	5051-143BX	Condenser Coil									
1	5051-144BX	Condenser Coil							X	X	X
2	8104-019	Outdoor Motor	X	X	X	X	X	X	X	X	X
3	5151-057	Fan Blade	X	X	X	X	X	X	X	X	X
4	900-294-001	Complete Blower Assembly	X	X	X						
4	900-279-001	Complete Blower Assembly				X	X	X	X	X	X
5	151-097	Blower Housing	X	X	X	X	X	X	X	X	X
6	144-130	Diffuser	X	X	X	X	X	X	X	X	X
7	8620-034	Motor Mount Kit	X	X	X	X	X	X	X	X	X
8	S8106-045-0049	Programmed 1/2 HP Motor w/Control	X	X	X						
8	C8106-045-0049	Control-Only Replacement for Motor	X	X	X						
8	S8107-013-0048	Programmed 3/4 HP Motor w/Control				X	X	X	X	X	X
8	C8107-013-0048	Control-Only Replacement for Motor				X	X	X	X	X	X
10	8620-034	Motor Mount Kit	X	X	X	X	X	X	X	X	X
11	5152-049	Blower Wheel	X	X	X	X	X	X	X	X	X
12	5060-128BX	Evaporator Coil	X	X	X	X	X	X	X	X	X
13	S800-0351	Cooling Distributor 4 Outlet	X	X	X	X	X	X	X	X	X
14	5651-184	Expansion Valve	X	X	X	X	X				
14	5651-199	Expansion Valve							X	X	X
15	112-326	Cooling TXV Mounting Bracket	X	X	X	X	X	X	X	X	X
16	104-795	Blower Leg	2	2	2	2	2	2	2	2	2
17	5201-010	Bi-Directional Filter Drier	X	X	X	X	X	X	X	X	X
18	3000-1236	6 Pin Plug for Heater Package	X	X	X	X	X	X	X	X	X
19	1804-0385	High Pressure Switch	X	X	X	X	X	X	X	X	X
21	8000-287	Compressor	X								
21	8000-290	Compressor		X							
21	8000-306	Compressor			X						
21	8000-288	Compressor				X					
21	8000-291	Compressor					X				
21	8000-307	Compressor						X			
21	8000-289	Compressor							X		
21	8000-292	Compressor								X	
21	8000-308	Compressor									X
22	8620-224	Defrost Sensor Replacement Kit	X	X	X	X	X	X	X	X	X
23	112-326	Heating TXV Mounting Bracket	X	X	X	X	X	X	X	X	X
24	S800-0352	Heating Distributor 2 Outlet	X	X	X	X	X	X	X	X	X
25	5651-178	Heating Expansion Valve	X	X	X	X	X				
25	5651-184	Heating Expansion Valve							X	X	X
28	1804-0107	Low Pressure Switch	X	X	X	X	X	X	X	X	X
29	5650-042	24V Solenoid Coil (Red Casing-Ranco)	X	X	X						
29	5650-046	24V Solenoid Coil (Black Casing-San Hua)				X	X	X	X	X	X
30	5650-040	Reversing Valve w/Solenoid Coil	X	X	X	X	X	X	X	X	X
31	8407-004	Step Down Transformer 480/240			X			X			X

CONTROL PANEL – A VOLTAGE MODELS



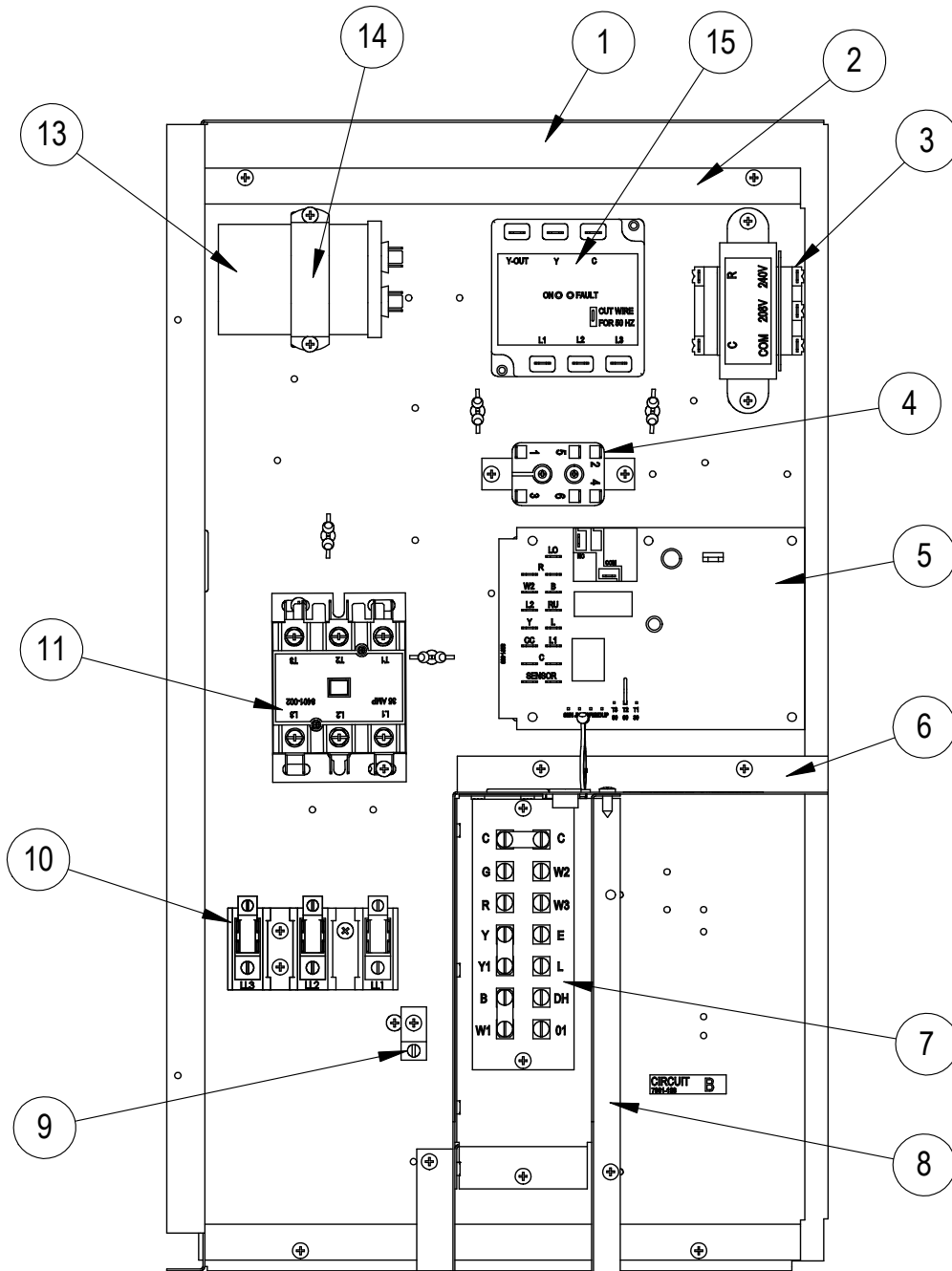
SEXP-465 A

CONTROL PANEL – A VOLTAGE MODELS

Dwg No.	Part Number	Description	PH13422-A	PH13482-A	PH13602-A
1	117-262	Control Panel	X	X	X
2	117-261	Control Mounting Plate	X	X	X
3	8407-035	Transformer	X	X	X
4	8201-015	Emergency Heat Relay	X	X	X
5	8620-223	Heat Pump Control	X	X	X
6	117-263	Low Voltage Box Assembly	X	X	X
7	8607-019	Terminal Strip	X	X	X
8	135-218	Terminal Shield	X	X	X
9	8611-006	Ground Terminal	X	X	X
10	8607-013	Terminal Block	X	X	X
11	8401-025	Contactors	X	X	X
13	8552-062	Capacitor 60/5 MFD 370V	X		
13	8552-081	Capacitor 70/5 MFD 370V		X	X
14	8550-008	Capacitor Bracket	X	X	X
NS	4110A106	Wiring Diagram	X		
NS	4110A107	Ladder Diagram	X		X
NS	4110A108	Wiring Diagram		X	
NS	4110A109	Ladder Diagram		X	
NS	4110A110	Wiring Diagram			X

NS = Not Shown

CONTROL PANEL – B VOLTAGE MODELS



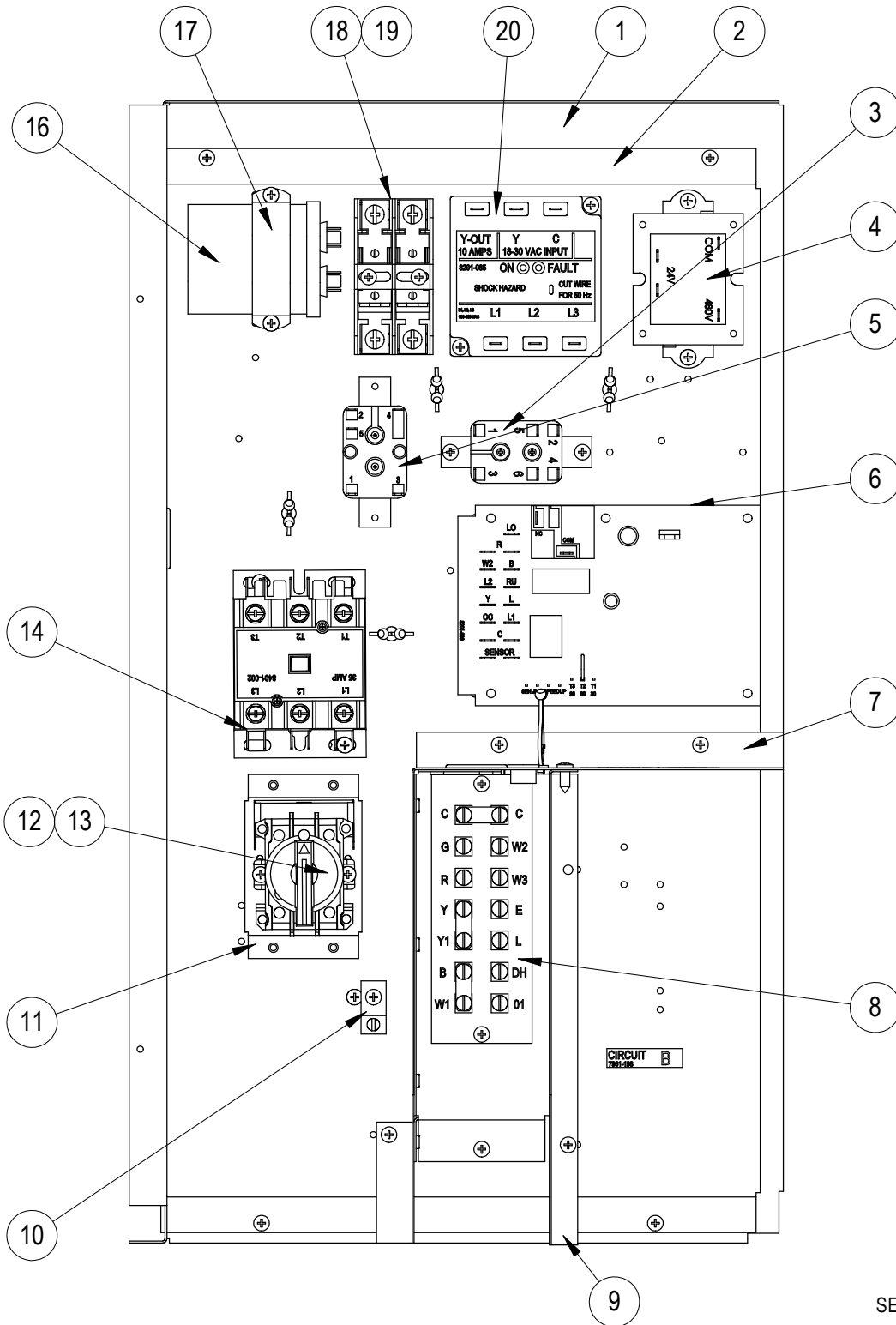
SEXP-467 B

CONTROL PANEL – B VOLTAGE MODELS

Dwg No.	Part Number	Description	PH13422-B	PH13482-B	PH13602-B
1	117-262	Control Panel	X	X	X
2	117-261	Control Mounting Plate	X	X	X
3	8407-035	Transformer	X	X	X
4	8201-015	Emergency Heat Relay	X	X	X
5	8620-223	Heat Pump Control	X	X	X
6	117-263	Low Voltage Box Assembly	X	X	X
7	8607-019	Terminal Strip	X	X	X
8	135-218	Terminal Shield	X	X	X
9	8611-006	Ground Terminal	X	X	X
10	8607-014	Terminal Block	X	X	X
11	8401-002	Contactora	X	X	X
13	8552-002	Capacitor 5 MFD 370V	X	X	X
14	8550-003	Capacitor Bracket	X	X	X
15	8201-085	Phase Monitor	X	X	X
NS	4110A204	Wiring Diagram	X		
NS	4110A205	Ladder Diagram	X		X
NS	4110A206	Wiring Diagram		X	
NS	4110A207	Ladder Diagram		X	
NS	4110A208	Wiring Diagram			X

NS = Not Shown

CONTROL PANEL - C VOLTAGE MODELS



SEXP-510 A

CONTROL PANEL – C VOLTAGE MODELS

Dwg No.	Part Number	Description	PH13422-C	PH13482-C	PH13602-C
1	117-262	Control Panel	X	X	X
2	117-261	Control Mounting Plate	X	X	X
3	8201-015	Emergency Heat Relay	X	X	X
4	8407-042	Transformer 480/24 VAC	X	X	X
5	8201-009	Fan Motor Relay	X	X	X
6	8620-223	Heat Pump Control Board	X	X	X
7	117-263	Low Voltage Box Assembly	X	X	X
8	8607-020	Terminal Strip	X	X	X
9	135-218	Terminal Shield	X	X	X
10	8611-006	Ground Terminal	X	X	X
11	126-365	Disconnect Mounting Base	X	X	X
12	8615-068	Rotary Disconnect Switch	X	X	X
13	8615-071	Rotary Disconnect Handle	X	X	X
14	8401-002	Contactor	X	X	X
16	8552-002	Capacitor 5 MFD 370V	X	X	X
17	8550-003	Capacitor Bracket	X	X	X
18	8614-041	Fuse Block	X	X	X
19	8614-042	7A Class CC Fuse	2	2	2
20	8201-085	Phase Monitor	X	X	X
NS	4110A300	Wiring Diagram	X		
NS	4110A301	Ladder Diagram	X		X
NS	4110A302	Wiring Diagram		X	
NS	4110A303	Ladder Diagram		X	
NS	4110A304	Wiring Diagram			X

NS = Not Shown