

---

# Replacement Parts Manual

# Packaged Air Conditioner and Heat Pump Heater Packages

MODEL: EHP323

---

## General Notes

- Revised and/or additional pages may be issued from time to time.
- A complete and current manual consists of pages shown in the following contents section.

## Important

- Contact the installing and/or local Bard distributor for all parts requirements. Make sure you have the complete model and serial number available from the unit rating plates.

## Contents

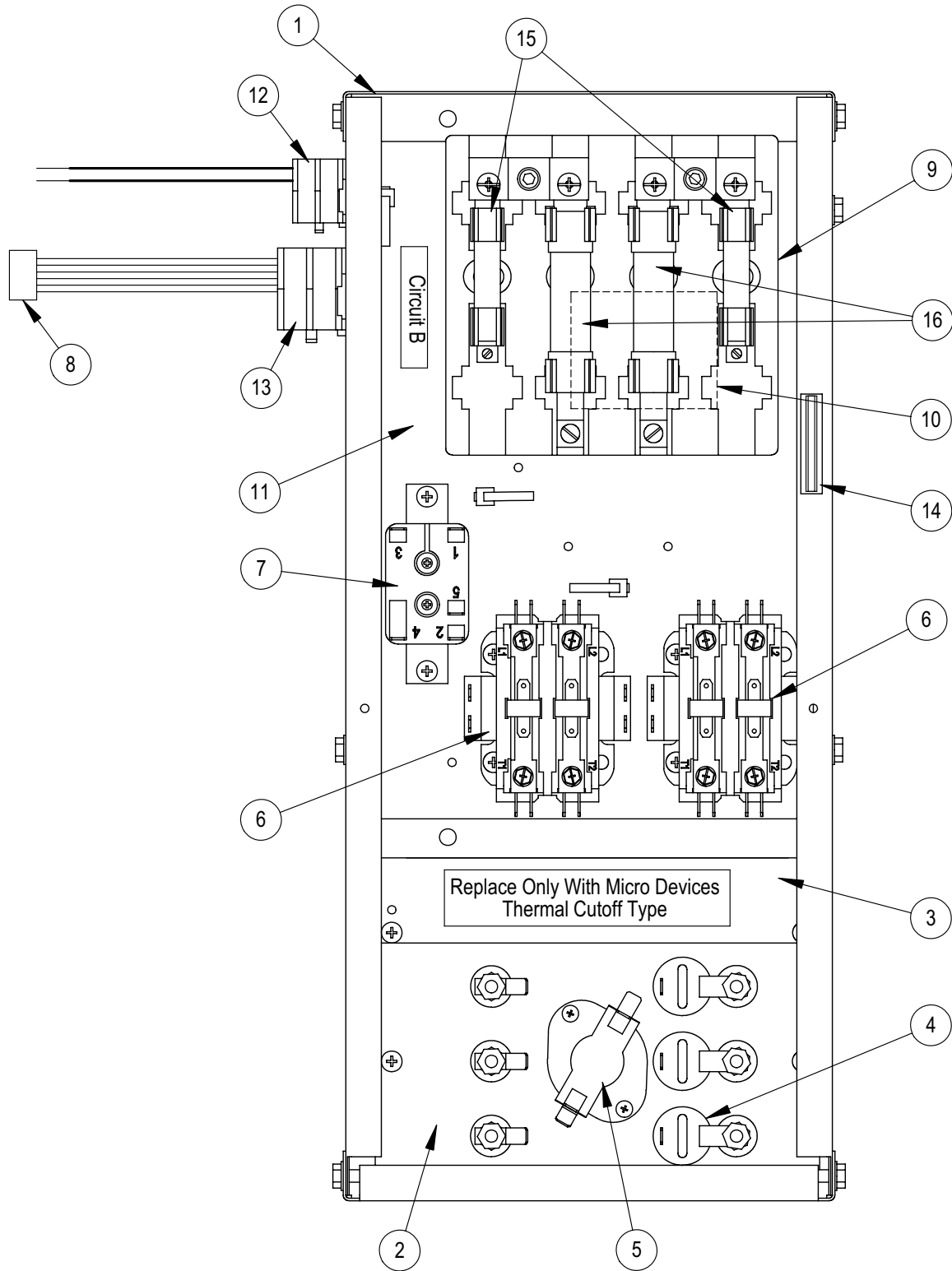
Description	Page
Functional Components – A Series	
♦ Exploded View .....	2
♦ Usage List .....	3
Functional Components – B Series	
♦ Exploded View .....	4
♦ Usage List .....	5



Bard Manufacturing Company, Inc.  
Bryan, Ohio 43506  
*Since 1914...Moving, ahead just as planned.*

Manual : 2110-308A  
Supersedes: 2110-308  
File: Tab 12  
Date: 04-24-09

# FUNCTIONAL COMPONENTS – A SERIES



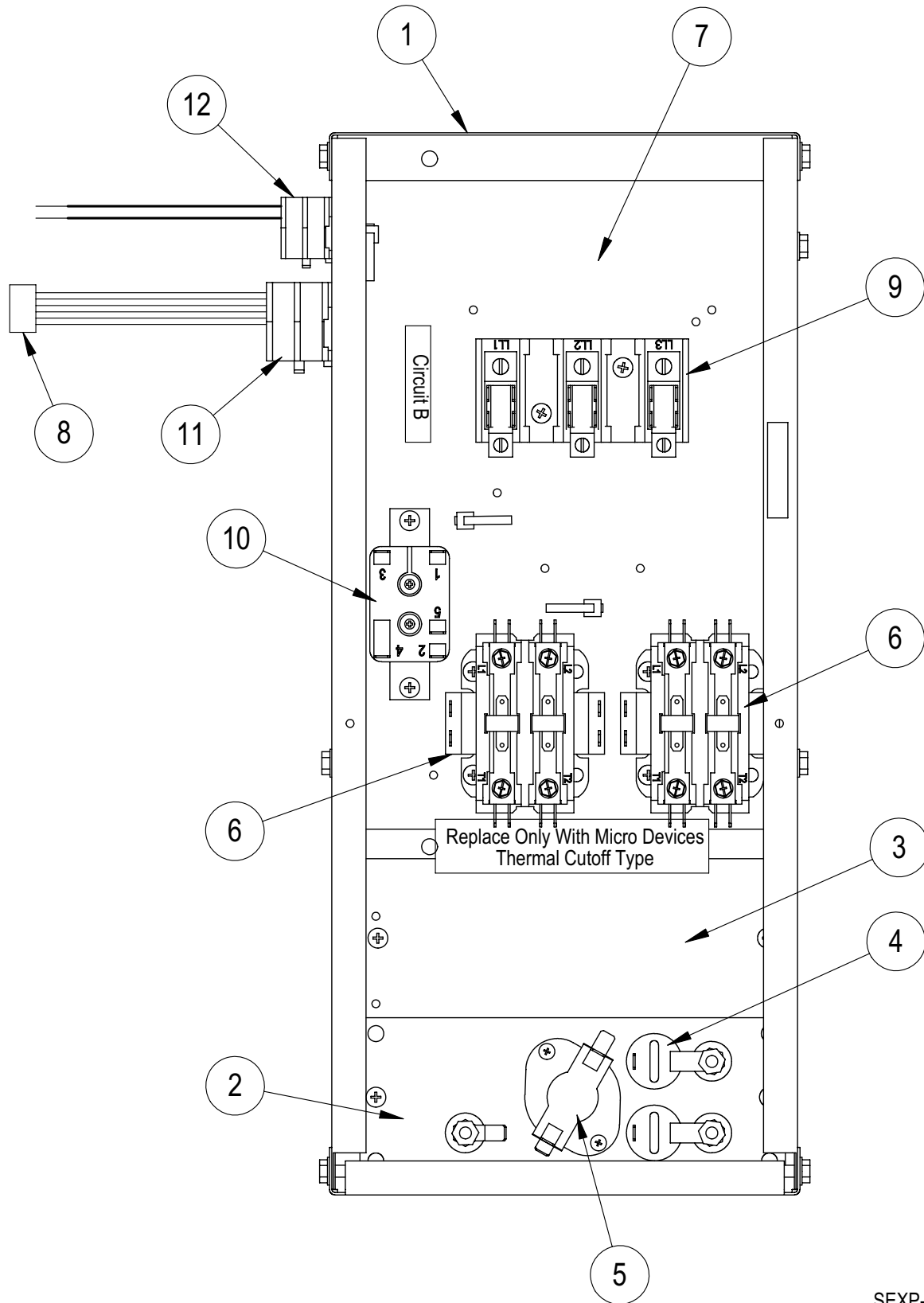
SEXP-469

## FUNCTIONAL COMPONENTS – A SERIES

Drawing No.	Part No.	Description	EHP323-A05	EHP323-A10	EHP323-A15
1	117-268	Heater Box Assembly	X	X	X
2	8604-089	Heat Strip 5 KW 240V	X		
2	8604-095	Heat Strip 10 KW 240V		X	
2	8604-096	Heat Strip 15 KW 240V			X
3	136-091	Fill Plate	X	X	
3	136-253	Fill Plate			X
4	8402-114	Thermal Cutoff, 93°C	1	2	3
5	8402-081	Limit Control L130-2.5	X	X	
5	8402-113	Limit Control L130-2.5			X
6	8401-006	Contactor	X	X	2
7	8201-062	Blower Interlock Relay	X	X	X
8	3000-1243	Wire Assembly	X	X	
8	3000-1242	Wire Assembly			X
9	8614-017	Fuse Block			X
10	8607-013	Terminal Block	X	X	
11	117-267	Heater Box Plate	X	X	X
12	8611-046	1/2 Plastic Connector	X	X	X
13	8611-052	Plastic Connector	X	X	X
14	1171-033	Magnetic Catch			X
15	8614-006	30A Fuse			2
16	8614-007	60A Fuse			2
NS	133-189	Heater Box Cover	X	X	
NS	133-188	Fixed Heater Box Cover			X
NS	133-187	Hinged Heater Box Cover			X
<b>THE FOLLOWING PARTS CONTAINED IN THE PLASTIC BAG</b>					
	8607-013	Terminal Block	X	X	X
	8611-006	Ground Terminal	X	X	X
	4111-100	Wiring Diagram	X		
	4111-101	Wiring Diagram		X	
	4111-102	Wiring Diagram			X

NS = Not Shown

# FUNCTIONAL COMPONENTS – B SERIES



SEXP-470

## FUNCTIONAL COMPONENTS – B SERIES

Drawing No.	Part No.	Description	EHP323-B09	EHP323-B15
1	117-268	Heater Box Assembly	X	X
2	8604-048	Heat Strip 9 KW 240V	X	X
2	8604-049	Heat Strip 6 KW 240V		X
3	136-091	Fill Plate	X	
4	8402-091	Thermal Cutoff, 98°C	2	4
5	8402-033	Limit Control L140-2.5	X	
5	8402-168	Limit Control L140-2.5		X
6	8401-006	Contactors	X	2
7	117-267	Heater Box Plate	X	X
8	3000-1243	Wire Assembly		X
8	3000-1242	Wire Assembly	X	
9	8607-014	Terminal Block	X	X
10	8201-062	Blower Interlock Relay	X	X
11	8611-052	Plastic Connector	X	X
12	8611-046	1/2 Plastic Connector	X	X
NS	133-189	Heater Box Cover	X	X
<b>THE FOLLOWING PARTS CONTAINED IN THE PLASTIC BAG</b>				
	8607-014	Terminal Block	X	X
	8611-006	Ground Terminal	X	X
	4111-200	Wiring Diagram	X	
	4111-201	Wiring Diagram		X

NS = Not Shown