
REPLACEMENT PARTS MANUAL

TEC20, TEC40 and TEC20H ELECTRONIC CONTROLLER

General Notes

- Revised and/or additional pages may be issued from time to time.
- A complete and current manual consists of pages shown in the following contents section.

Important

- Contact the installing and/or local Bard distributor for all parts requirements. Make sure you have the complete model and serial number available from the unit rating plates.

Contents

Description	Page
Functional and Cabinet Components	
♦ Exploded View	1
♦ Usage List	1
♦ Exploded View	2
♦ Usage List	2

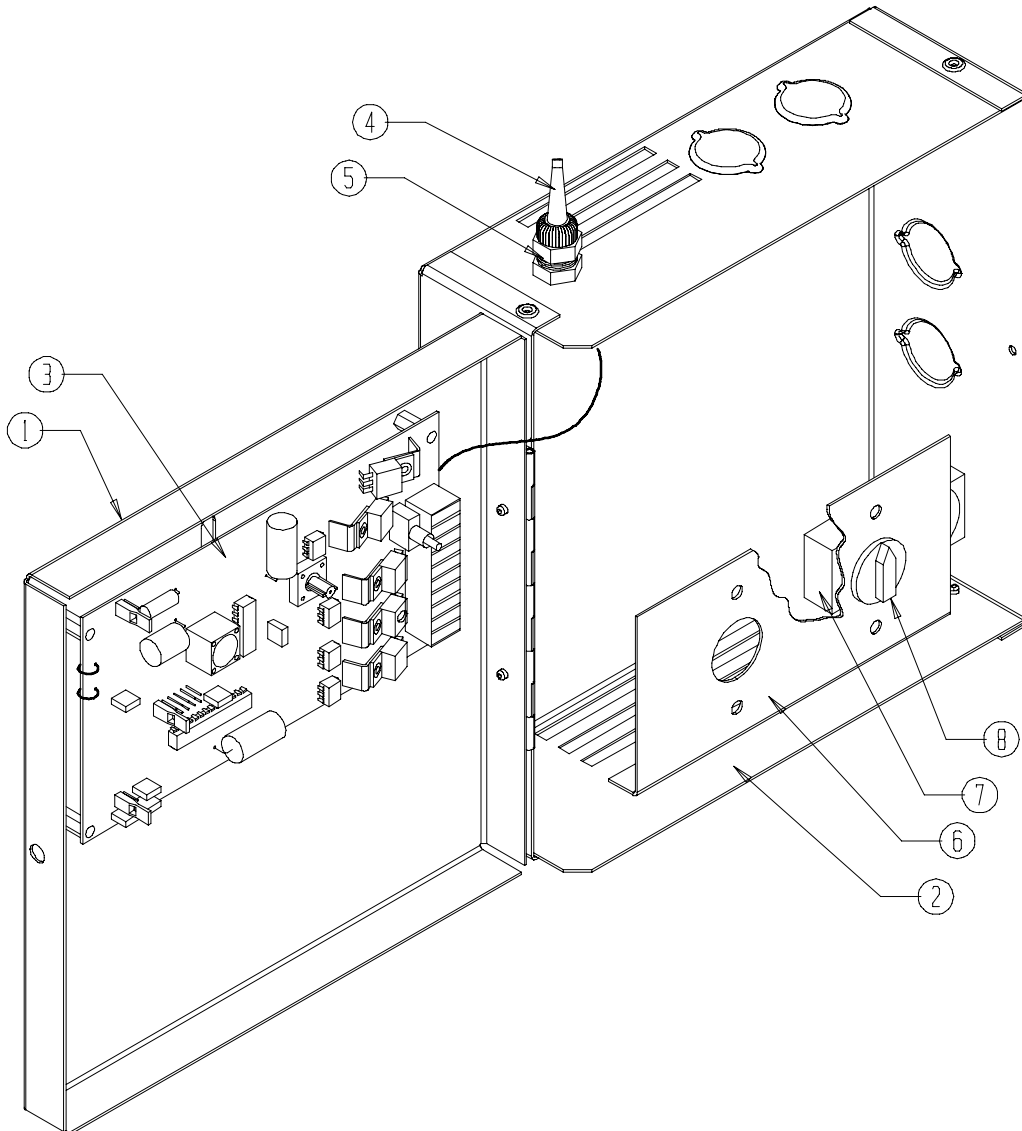


Bard Manufacturing Company, Inc.
Bryan, Ohio 43506
Since 1914...Moving, ahead just as planned.

Manual: 2110-670B
Supersedes: 2110-670A
File: Tab 19
Date: 02-18-02

FUNCTIONAL and CABINET COMPONENTS

Drawing No.	Part No.	Description	TEC20	TEC20H
1	133-150-4	Top	X	
1	133-175-4	Top		X
2	127-280-4	Base	X	
2	127-324-4	Base		X
3	8612-017	Control	X	X
4	8408-035	Sensor	X	X
5	8611-099	Fitting	X	X
6	113-294-4	Thermostat Bracket		X
7	8408-022	High Temperature Thermostat		X
8	1171-029	Thermostat Knob		X



SEXP-273

FUNCTIONAL and CABINET COMPONENTS

Drawing No.	Part No.	Description	TEC40
1	143-078-4	Face Plate Cover	X
2	141-283-4	Base	X
3	103-448-4	Offset	X
4	116-246-4	Face Plate	X
5	153-340-4	Cover	X
6	8612-018	Control	X
7	8611-099	Fitting	X
8	8408-035	Sensor	X

