
DUCT HEATERS

REPLACEMENT PARTS MANUAL

MODELS:

- 8604-080**
- 8604-081**
- 8604-082**
- 8604-083**

General Notes

- Revised and/or additional pages may be issued from time to time.
- A complete and current manual consists of pages shown in the following contents section.

Important

- Contact the installing and/or local distributor for all parts requirements. Make sure you have the complete model and serial number available from the unit rating plates.

Contents

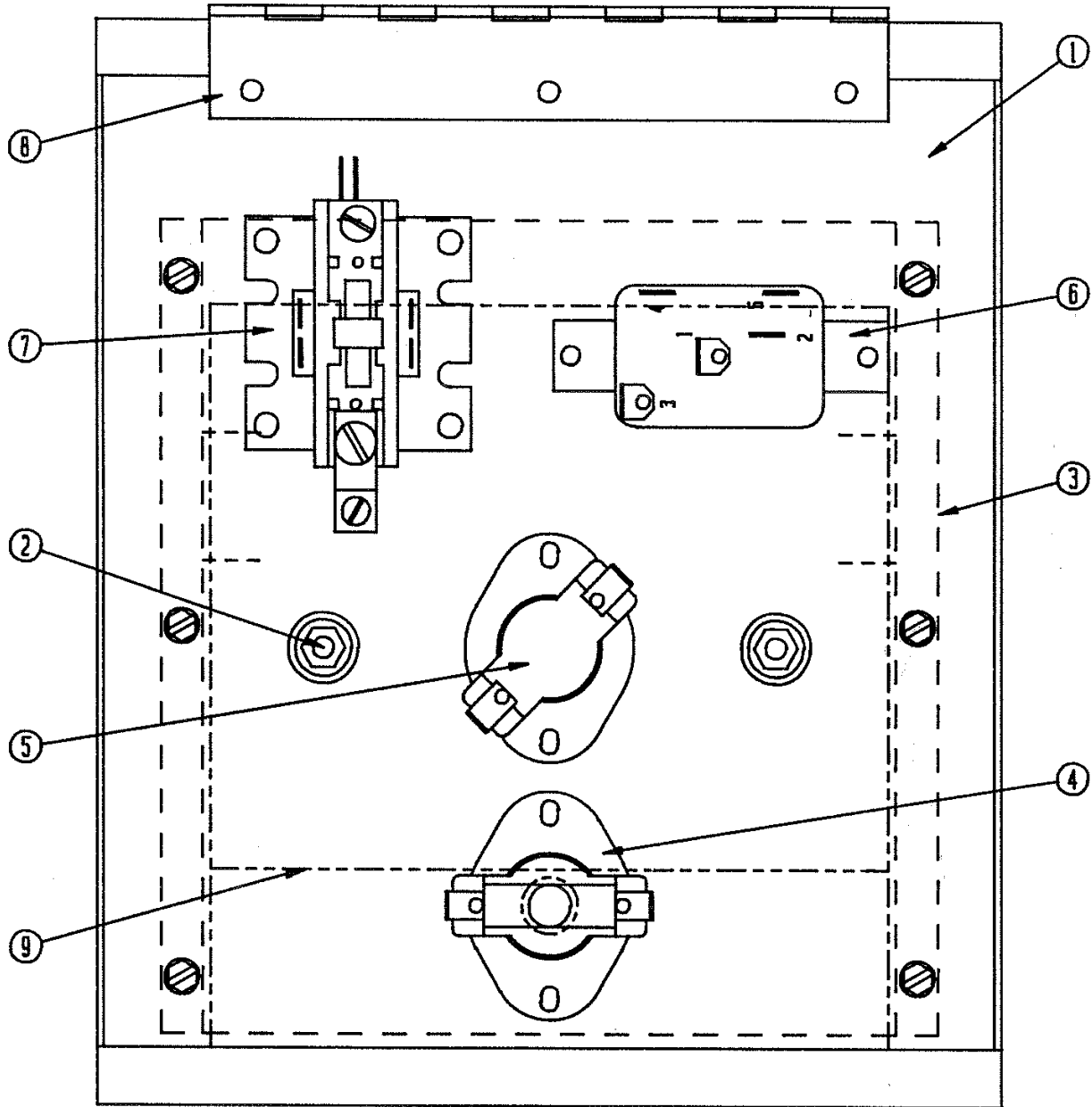
Description	Page
Functional Components	
♦ Exploded View (-080)	2
♦ Usage List	3
Functional Components	
♦ Exploded View (-081)	4
♦ Usage List	5
Functional Components	
♦ Exploded View (-082)	6
♦ Usage List	7
Functional Components	
♦ Exploded View (-083)	8
♦ Usage List	9



Bard Manufacturing Company, Inc.
Bryan, Ohio 43506
Since 1914...Moving ahead, just as planned.

Manual: 2110-730A
Supersedes: 2110-730
File: Tab 8
Date: 12-02-10

FUNCTIONAL COMPONENTS



⑩ CONTROL PANEL DOOR (NOT SHOWN)

⑪ DOOR LATCH (NOT SHOWN)

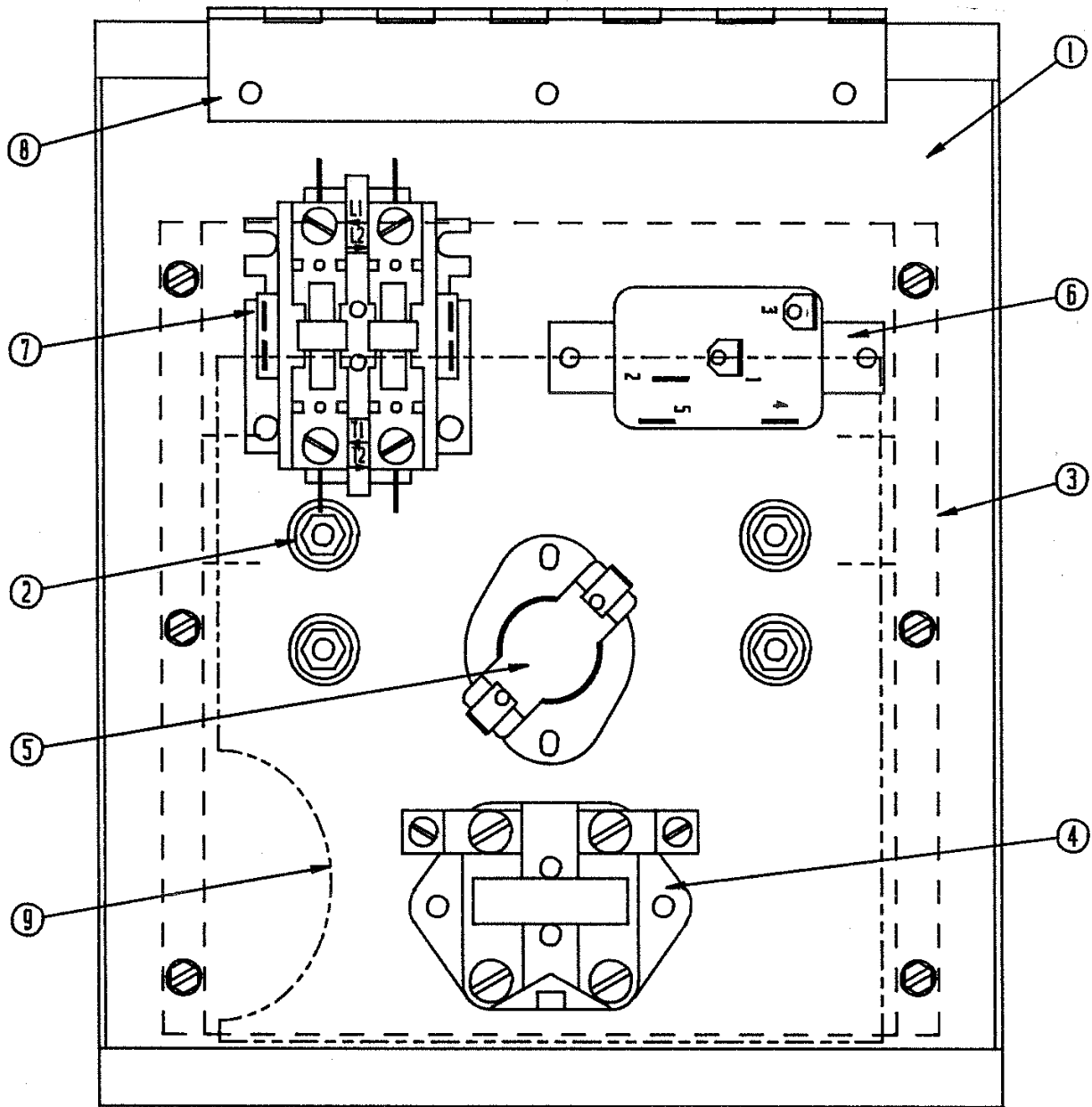
DUCT HEATER # 8604-080

FUNCTIONAL COMPONENTS

Drawing No.	Part No.	Description	8604-080 (5KW)
4	8406-026	Manual Reset Limit	1
5	8402-011	Limit Switch	1
6	8201-009	Interlock Relay	1
7	8401-025	Heat Contactor	1
NS	8604-084	5KW Element with Hardware	1

NS = Not Shown

FUNCTIONAL COMPONENTS



⑩ CONTROL PANEL DOOR (NOT SHOWN)

⑪ DOOR LATCH (NOT SHOWN)

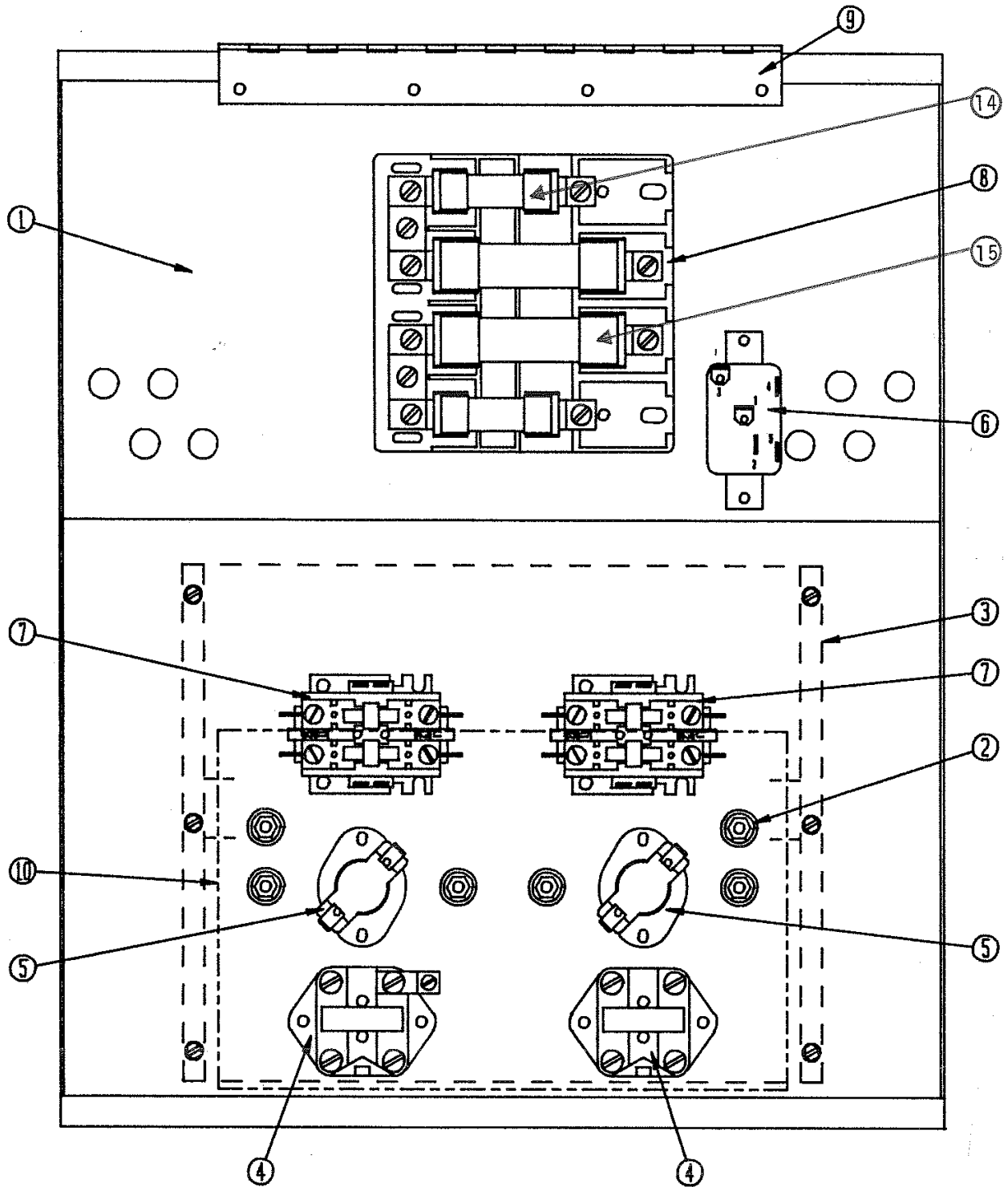
DUCT HEATER # 8604-081

FUNCTIONAL COMPONENTS

Drawing No.	Part No.	Description	8604-081 (9.8KW)
4	8406-027	Manual Reset Limit	1
5	8402-011	Limit Switch	1
6	8201-009	Interlock Relay	1
7	8401-025	Heat Contactor	1
NS	8604-084	5KW Element with Hardware	2

NS = Not Shown

FUNCTIONAL COMPONENTS



- ① CONTROL PANEL DOOR (NOT SHOWN)
- ② DOOR LATCH (NOT SHOWN)

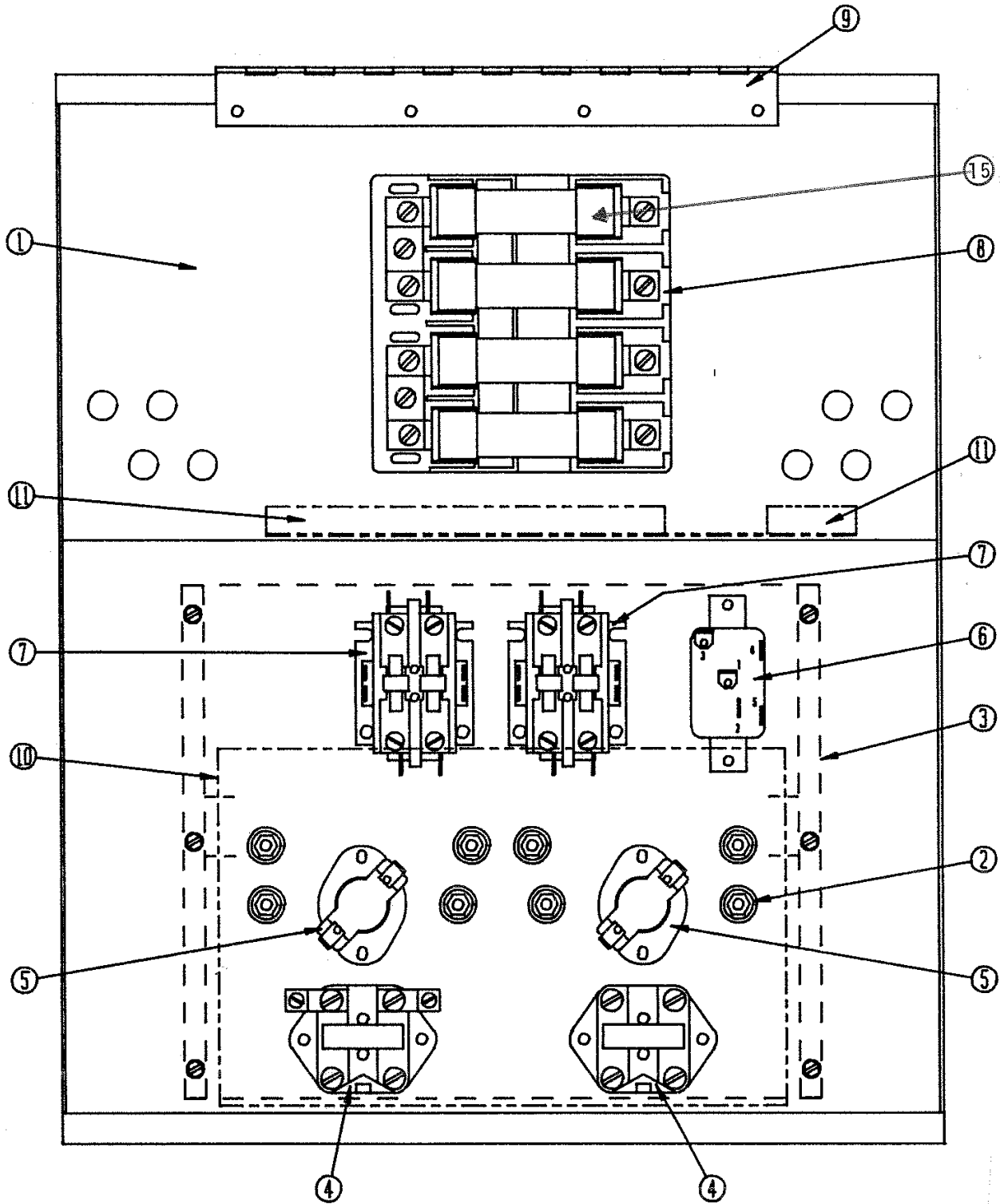
DUCT HEATER # 8604-082

FUNCTIONAL COMPONENTS

Drawing No.	Part No.	Description	8604-082 (14.7KW)
4	8406-027	Manual Reset Limit	2
5	8402-011	Limit Switch	2
6	8201-009	Interlock Relay	1
7	8401-025	Heat Contactor	2
8	8614-017	Fuse Block	1
14	8614-006	Fuse (30A)	2
15	8614-007	Fuse (60A)	2
NS	8604-084	5KW Element with Hardware	3

NS = Not Shown

FUNCTIONAL COMPONENTS



- ⑫ CONTROL PANEL DOOR (NOT SHOWN)
- ⑬ DOOR LATCH (NOT SHOWN)

DUCT HEATER # 8604-083

FUNCTIONAL COMPONENTS

Drawing No.	Part No.	Description	8604-083 (19.2KW)
4	8406-027	Manual Reset Limit	2
5	8402-011	Limit Switch	2
6	8201-009	Interlock Relay	1
7	8401-025	Heat Contactor	2
8	8614-018	Fuse Block	1
15	8614-007	Fuse (60A)	4
NS	8604-084	4.8KW Element with Hardware	4

NS = Not Shown