
REPLACEMENT PARTS MANUAL

OIL FIRED FURNACE

Models:

FH085V42A FH110V48A

General Notes

- Revised and/or additional pages may be issued from time to time.
- A complete and current manual consists of pages shown in the following contents section.

Important

- Contact the installing and/or local Bard distributor for all parts requirements. Make sure to have the complete model and serial number available from the unit rating plates.

Contents

<u>Description</u>	<u>Page</u>
Cabinet and Functional Components	
♦ Exploded View	2
♦ Usage List	3
♦ Usage List	4
Control Panel	
♦ Layout View	6
♦ Usage List	7
Blower Assembly	
♦ Exploded View	8
♦ Usage List	9
Burner Assembly	
♦ Exploded View	10
♦ Usage List	11
Burner Components	
♦ Exploded View	12
♦ Usage List	13
♦ Exploded View	14
♦ Usage List	15

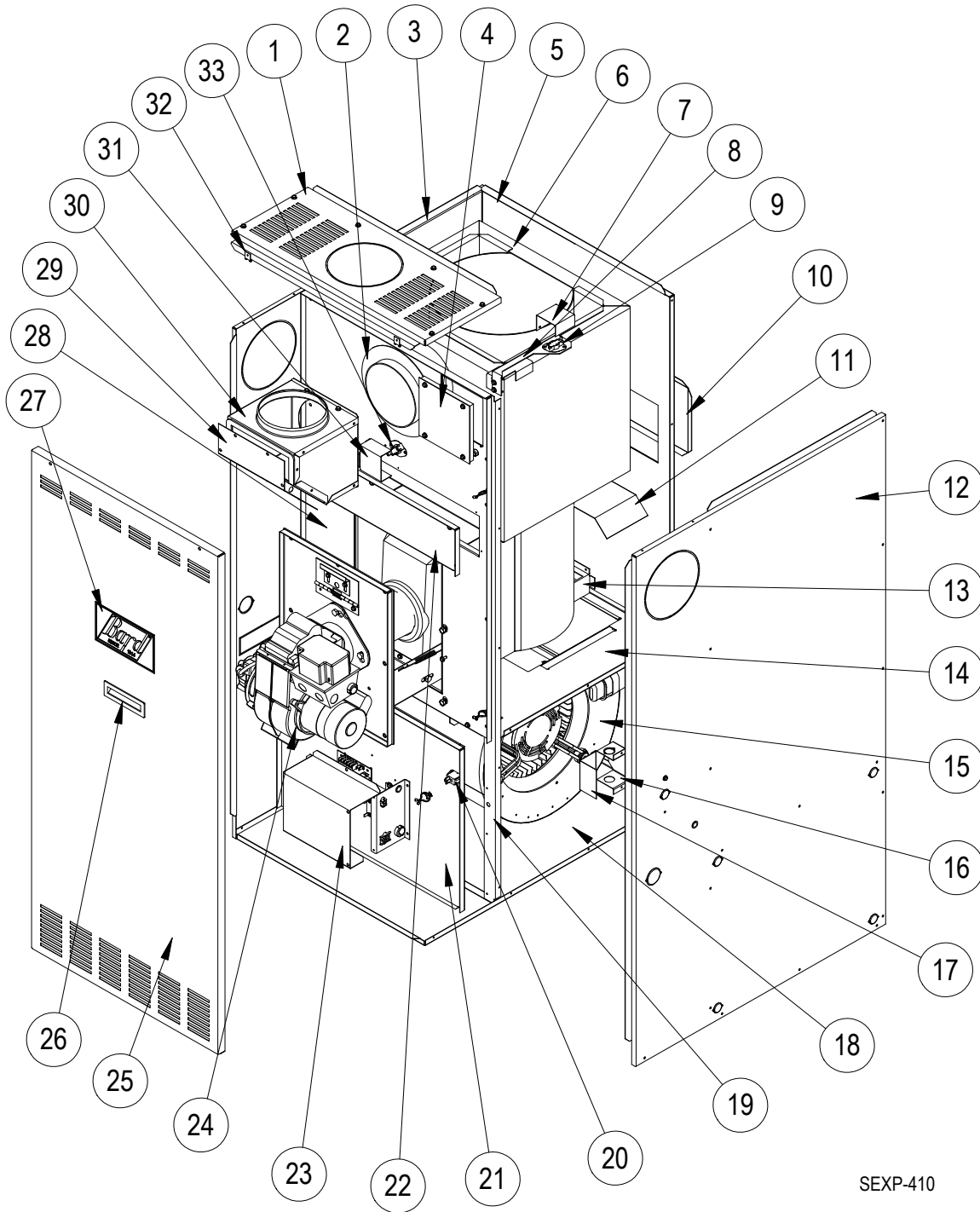


Climate Control Solutions

Bard Manufacturing Company, Inc.
Bryan, Ohio 43506
www.bardhvac.com

Manual: 2110-929C
Supersedes: 2110-929B
Date: 2-11-15

CABINET AND FUNCTIONAL COMPONENTS



SEXP-410

CABINET AND FUNCTIONAL COMPONENTS

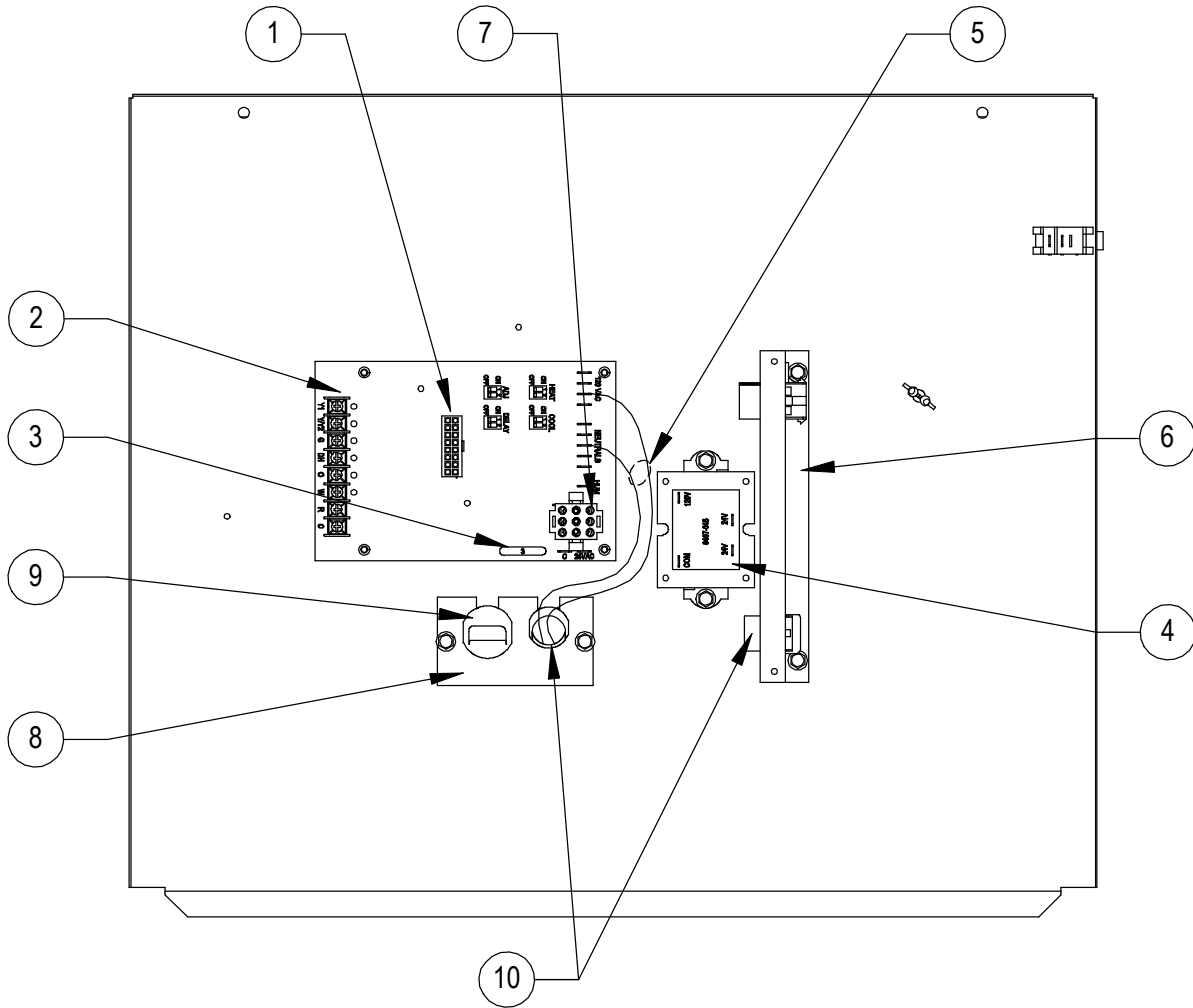
Drawing No.	Part Number	Description	FH085V42A	FH110V48A
1	S107-231-4	Top Fill	X	X
2	1921-037	Smoke Pipe Gasket	X	X
3	S101-408-4	Left Side	X	
3	S101-410-4	Left Side		X
4	S142-089	Limit Access Door	X	X
5	S109-169-4	Back	X	
5	S109-170-4	Back		X
6	S171-267	Heat Exchanger	X	
6	S171-268	Heat Exchanger		X
7	143-091	Limit Cover	X	X
8	112-312	Limit Bracket	X	X
9	8402-142	Primary Limit L145	X	
9	8402-144	Primary Limit L150		X
10	S143-088-4	Rear Clean Out Cover	X	X
11	134-109	Air Deflector	X	
11	134-205	Air Deflector		X
12	S101-407-4	Right Side	X	
12	S101-409-4	Right Side		X
13	140-315	Rear Heat Exchanger Leg	X	
13	140-316	Rear Heat Exchanger Leg		X
14	126-327	Blower Base	X	
14	127-329	Blower Base		X
15	S900-329-001	Blower Assembly	X	
15	S900-330-001	Blower Assembly		X
16	117-251	Junction Box	X	X
17	133-178	Junction Box Cover	X	X
18	S127-328	Lower Base	X	X
19	105-1133	Side Angle	2	2
20	8406-076	Door Switch SPST 16 Amp N.O.	X	X
<i>Table continued on page 4</i>				

CABINET AND FUNCTIONAL COMPONENTS

Drawing No.	Part Number	Description	FH085V42A	FH110V48A
<i>Table continued from page 3</i>				
21	S153-483	Blower Door	X	
21	S153-484	Blower Door		X
22	S143-090	Clean Out Cover	X	X
23	133-210	Control Cover	X	X
24	Burner Assy.	See Burner Assembly Parts List (Pages 10 & 11)	X	X
25	S153-350-4	Vestibule Door	X	
25	S153-352-4	Vestibule Door		X
26	1171-025	Plastic Door Pull	X	X
27	5252-010	Bard Nameplate	X	X
28	S120-361	Heat Exchanger Partition	X	
28	S120-362	Heat Exchanger Partition		X
29	169-152	Flue Box Door	X	X
30	S169-150	Flue Box Assembly	X	X
31	143-094	Partition Limit Cover	X	X
32	1012-314	#10 - 18 U-Clips	2	2
33	8402-147	Backup Limit L190	X	X

This page intentionally left blank

CONTROL PANEL

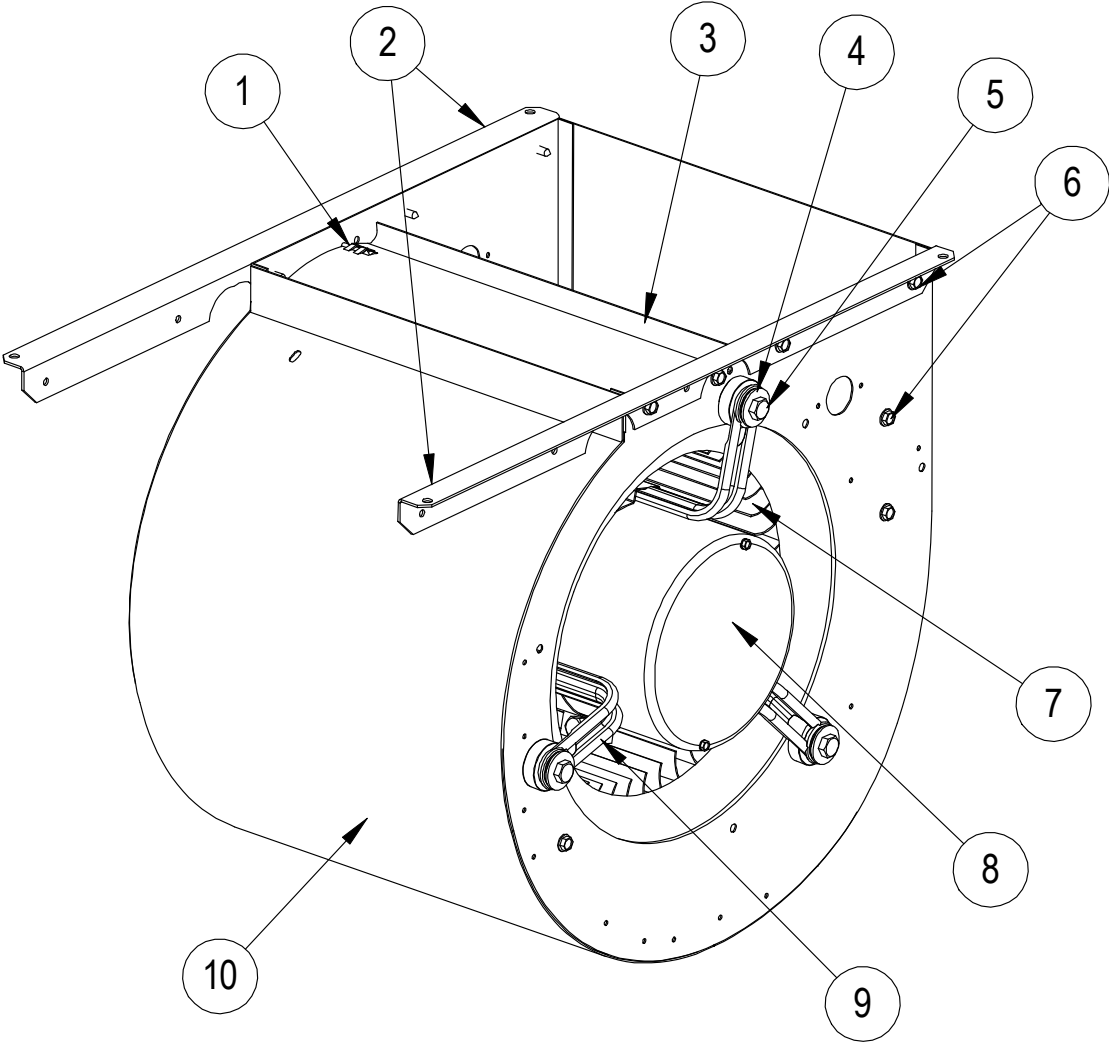


SEXP-599

CONTROL PANEL

Drawing No.	Part Number	Description		
			FH085V42A	FH110V48A
1	3000-1367	Wire Assembly – 16 Pin	X	X
2	8201-125	Oil Furnace Blower Control – Variable	X	X
3	8614-045	3 Amp Fuse	X	X
4	8407-045	Transformer 120/24V 40 VA	X	X
5	3000-1366	Wire Assembly (5 Pin)	X	X
6	113-416	Plug Bracket	X	X
7	3000-1365	Wire Assembly (9 Pin)	X	X
8	112-417	Blower Bushing Bracket	X	X
9	8611-065	1-1/8" Strain Relief	X	X
10	8611-033	7/8" Strain Relief	X	X

BLOWER ASSEMBLY

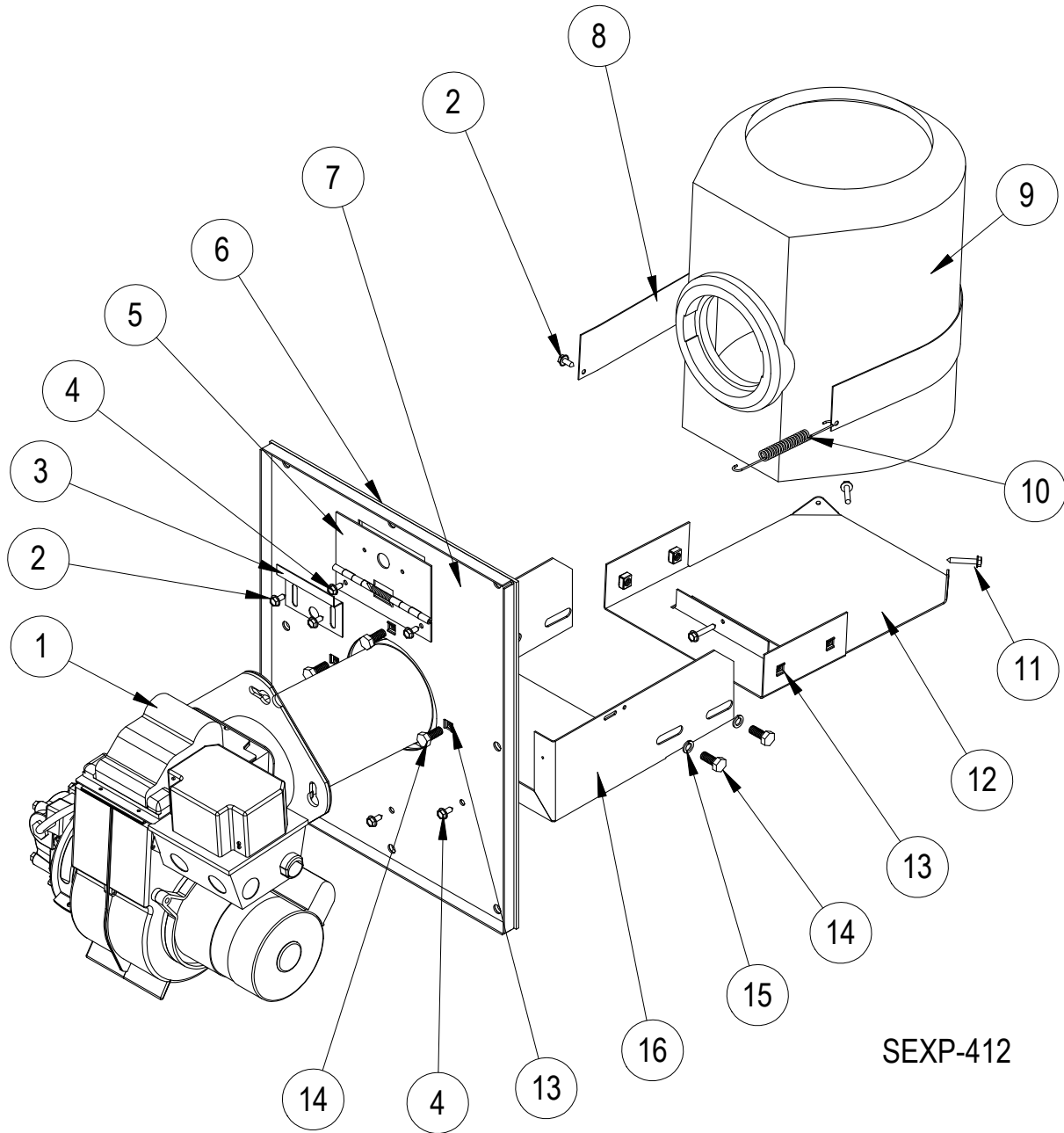


SEXP-598

BLOWER ASSEMBLY

Drawing No.	Part Number	Description	S900-329-001	S900-330-001
1	1012-088	Scew Type AB #10 – 16x3/4	2	2
2	104-1134	Blower Angle	2	
2	104-1137	Blower Angle		2
3	144-128	Diffuser	X	
3	144-129	Diffuser		X
4	1012-109	Washer	3	3
5	1012-076	1/4 – 20 x 1-1/4 Type I Bolt	3	3
6	1012-086	Screw Type AB #10 – 16 x 1/2 w/nibs	8	8
7	5152-014	Blower Wheel CW 1/2" 10-9DD	X	
7	5152-059	Blower Wheel CCW 1/2" 10-10DD		X
8	S8106-051-0077	1/2 HP ECM Motor with Programmed Control	X	
8	S8107-016-0078	3/4 HP ECM Motor with Programmed Control		X
8	S8108-009-0082	1 HP ECM Motor with Programmed Control		
9	8620-034	Motor Mount Kit	X	X
10	151-073	Blower Housing	X	
10	151-082	Blower Housing		X

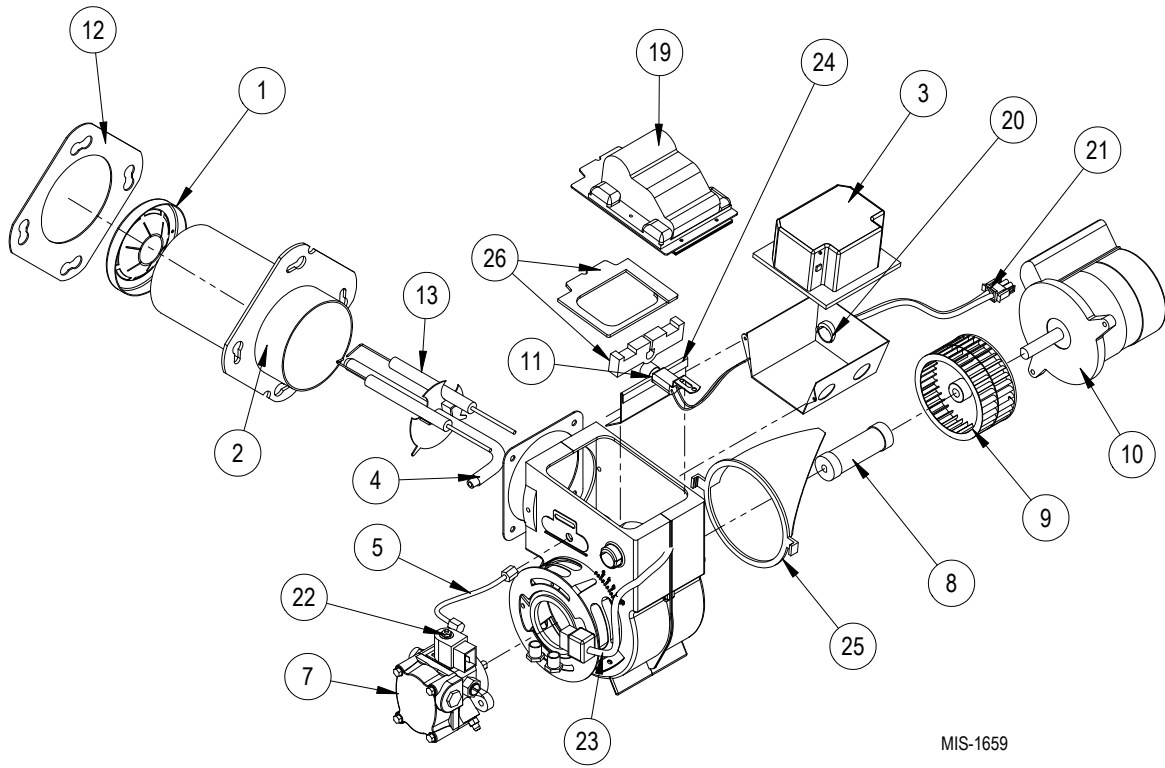
BURNER ASSEMBLY



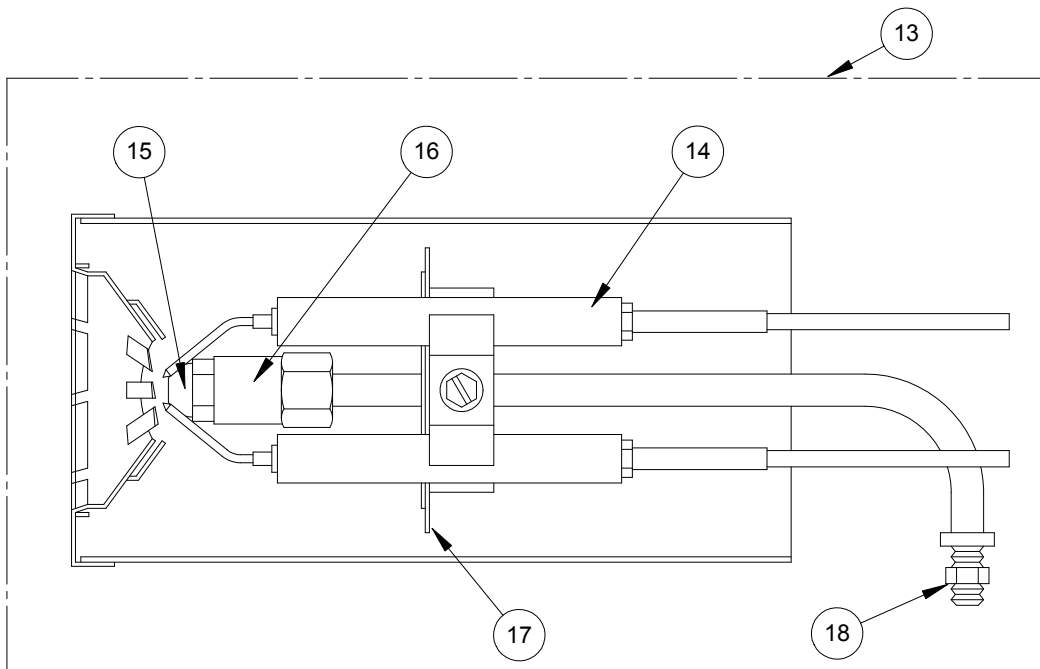
BURNER ASSEMBLY

Drawing No.	Part Number	Description	FH085V42A	FH110V48A
1	9020-040	AFG Burner w/GeniSys Primary .75 GHP 70° Hollow	X	X
1	9020-044	NX Burner w/GeniSys Primary .85 GHP 60° Solid	X	X
2	1012-153	Screw Type AB #10 – 16x1/2"	3	3
3	143-026	Inspection Door Cover Plate	X	X
4	1012-086	Screw Type AB #10 – 16x1/2" w/nibs	5	5
5	142-027	Inspection Door Hinge	X	X
6	1921-057	Front Plate Gasket	X	
6	1921-066	Front Plate Gasket		X
7	S160-036	Front Plate Assembly	X	
7	S161-039	Front Plate Assembly		X
8	140-198	Combustion Chamber Support	X	X
9	7090-014	Pyrolite Combustion Chamber	X	X
10	5401-004	Stainless Steel Spring	X	X
11	1012-145	Screw Type AB #10 – 16x1"	3	3
12	S140-292	Bracket Extension	X	X
13	1012-218	1/4 – 20 Cage Nut	7	7
14	1012-051	1/4 – 20x 3/4 Hex Head Bolt	7	7
15	1012-126	1/4" Type "A" Washer	4	4
16	112-297	Combustion Chamber Bracket	X	X

BURNER COMPONENTS



MIS-1659

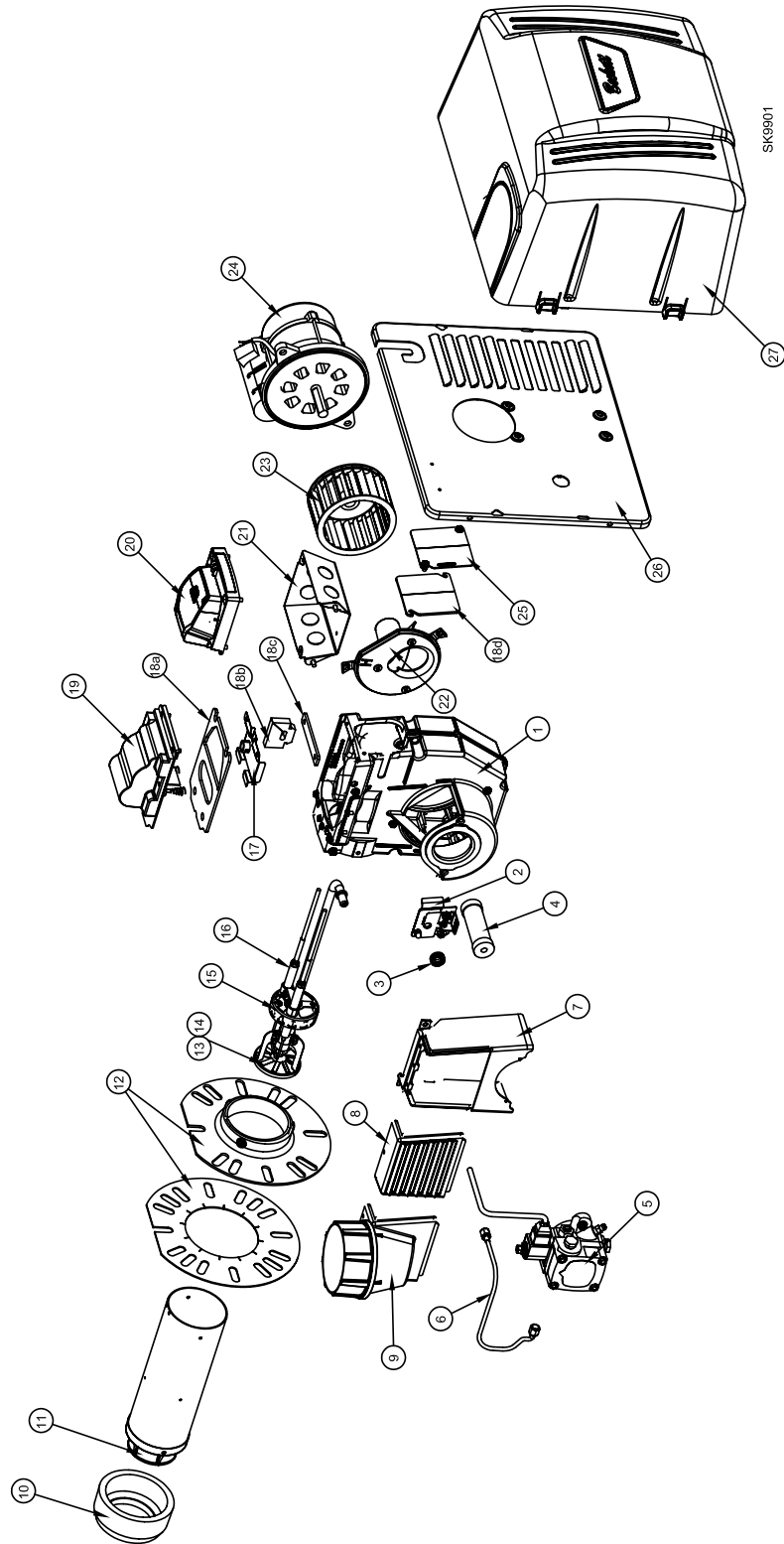


MIS-1663

BURNER COMPONENTS

Drawing No.	Bard Part Number	Supplier Part Number	Description	FH085V42A
1	9022-034	360004	Head (F4)	X
2	9022-004	51236007BK	Air Tube & Flange Assembly	X
3	9022-095	7505B	Primary Control (GeniSys)	X
4	9022-007	571801	Bulkhead Fitting	X
5	9022-008	5636	Connector Tube	X
7	9022-082	21844U	"CleanCut" Oil Pump	X
8	9022-011	2454	Coupling	X
9	9022-045	2999U	Blower Wheel	X
10	9022-084	21805R/218	PSC Motor 1/7 H.P.	X
11	9022-085	7006Q	CAD Cell	X
12	9022-021	3811	Mounting Flange Gasket	X
13	9022-014	NL90YH	Nozzle Line Electrode Assembly	X
14	9022-017	5780	Electrode Insulator Assembly	X
15	9011-016	2663	Nozzle .75 GPH 70° Hollow	X
16	9022-016	213U	Nozzle Adapter	X
17	9022-023	3384	Static Plate (3-3/8")	X
18	9022-018	3666	Bulkhead Fitting Locknut	X
19	9022-079	7440	Solid State Igniter	X
20	9022-086	3741	Junction Box	X
21	9022-055	31838	Power Cord	X
22	9022-087	21755	Solenoid Valve Coil	X
23	9022-088	21807	Solenoid Valve Cord	X
24	9022-089	3708	Restrictor Baffle	X
25	9022-090	31231	Air Guide	X
26	9022-093	51304	Igniter Gasket Kit	X

BURNER COMPONENTS



BURNER COMPONENTS

Drawing No.	Bard Part Number	Supplier Part Number	Description	FH110V48A
1	N/A	51783GY	Housing	X
2	N/A	52000U	Head/Air Adjustment Mechanism Assy.	X
3	9022-018	3666	Splined Nut	X
4	9022-011	2454	Coupling	X
5	9022-082	21844U	"CleanCut" Oil Pump (Includes Mounting Screws)	X
6	N/A	51127	Connector Tube Assembly, 11"	X
7	N/A	1010U	Inlet Air Box	X
8	N/A	1013U	Inlet Air Louvers	X
9	N/A	1014U	Inlet Air Adaptor/Outside Air Kit	X
10	9022-096	32246	Heat Shield	X
11	N/A	N/A	Air Tube Combination	X
12	9022-097	NX84LBHS	Air Tube Combination Including Screws	X
13	N/A	N/A	Retention Head Assembly (6-Slot)	X
14	9022-098	51815U	Retention Head Assembly (9-Slot)	X
15	9022-099	7440B	Nozzle, Line Electrode, Head Assy., with Window	X
16	9022-100	51811U	Electrode Insulator Kit	X
17	N/A	32058U	Spring, Igniter Prop	X
18	N/A	51942U	Gasket Igniter Kit: Gasket, Igniter Baseplate Gasket, Wiring Hinge Gasket, Igniter Baseplate Hinge Gasket, Rear Access Door	X
19	9022-079	51771U	Igniter, Electronic	X
20	9022-095	7505B1500	Genisys Ignition Logic Control	X
21	9022-058	5770	Electrical Box	X
22	N/A	101101U	Air Guide	X
23	9022-045	2999U	Blower Wheel	X
24	9022-084	21805R/218	PSC Motor 1/7 H.P.	X
25	N/A	32119U	Door, Rear Access	X
26	N/A	N/A	Mounting Plate, Burner Cover	X
27	N/A	N/A	Cover, Burner	X
NS	N/A	51801U	Universal Adjust. Flange Kit, incl. 32086 Gasket	X
NS	9022-088	21807	Cordset Non-Delay 17"	X
NS	9022-054	7006U	CAD Cell Assembly	X
NS	9011-022	N/A	Nozzle 0.85X60° Solid (Factory Ship)	X
NS	9011-023	N/A	Nozzle 0.75X60° Solid (Factory Approved Re-Rate)	X