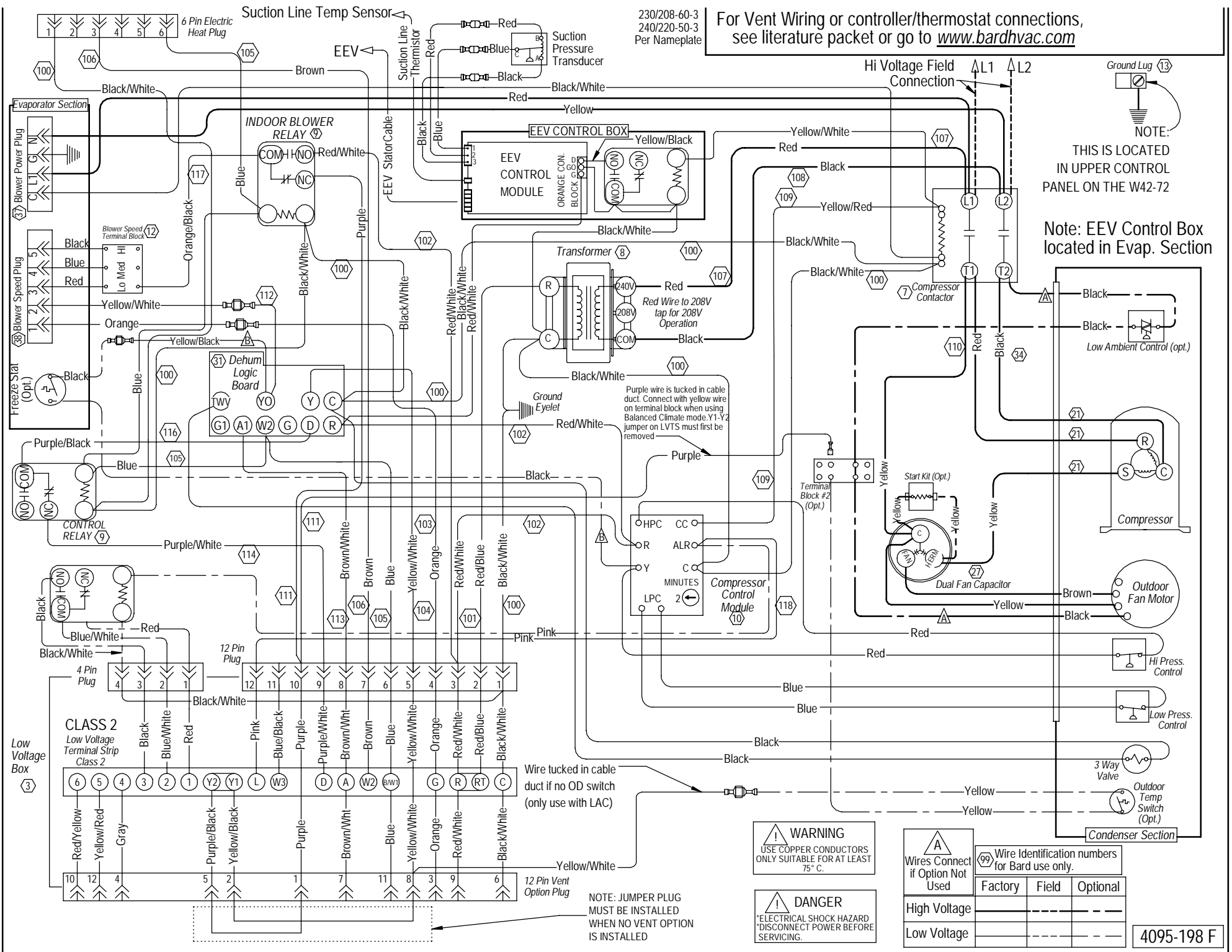


230/208-60-3
240/220-50-3
Per Nameplate

For Vent Wiring or controller/thermostat connections,
see literature packet or go to www.bardhvac.com



NOTE:
THIS IS LOCATED
IN UPPER CONTROL
PANEL ON THE W42-72

Note: EEV Control Box
located in Evap. Section

Purple wire is tucked in cable duct. Connect with yellow wire on terminal block when using Balanced Climate mode. Y1-Y2 jumper on LVTS must first be removed

Wire tucked in cable duct if no OD switch (only use with LAC)

NOTE: JUMPER PLUG MUST BE INSTALLED WHEN NO VENT OPTION IS INSTALLED

WARNING
USE COPPER CONDUCTORS ONLY SUITABLE FOR AT LEAST 75° C.

DANGER
ELECTRICAL SHOCK HAZARD DISCONNECT POWER BEFORE SERVICING.

A
Wires Connect if Option Not Used

High Voltage			
Low Voltage			

99 Wire Identification numbers for Bard use only.

	Factory	Field	Optional
High Voltage			
Low Voltage			

4095-198 F