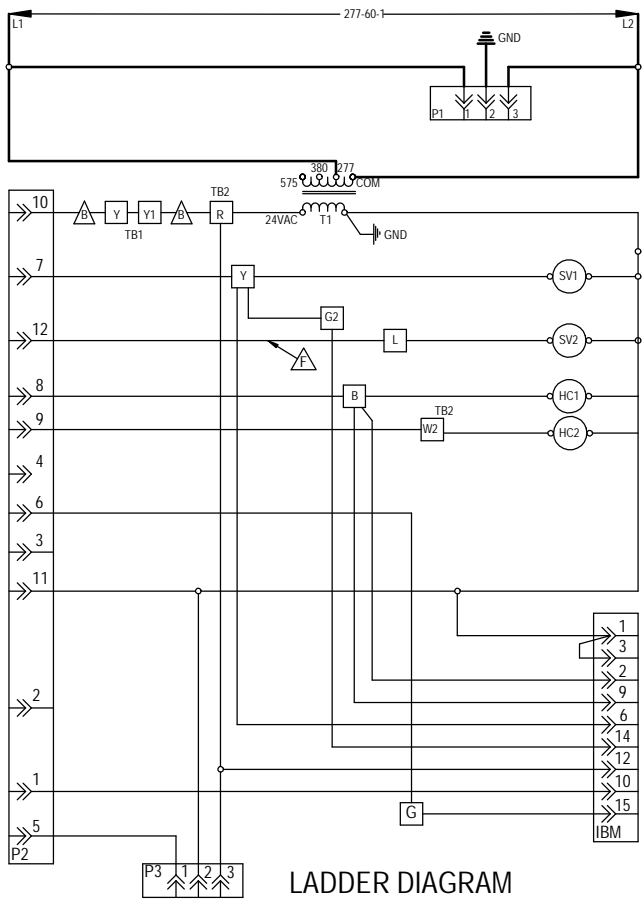


UPPER CONTROL PANEL



LADDER DIAGRAM

4100-128

COMPONENT CODE	
CBI	CIRCUIT BREAKER #1
FB	FUSE BLOCK
GND	GROUND
HC1	HEATER CONTACTOR #1
HS1	HEAT STRIP #1
IBM	INDOOR BLOWER MOTOR
LS	LIMIT SWITCH
P1	ERV (HV) ACCESSORY PLUG
P2	CLIMATE CONTROL PLUG
P3	VENT (LV) ACCESSORY PLUG
SV1	SOLENOID VALVE #1
SV2	SOLENOID VALVE #2
T1	TRANSFORMER #1
TB1	TERMINAL BLOCK #1
TB2	TERMINAL BLOCK #2
TB3	TERMINAL BLOCK #3

⚠️⚠️⚠️ LABELED WIRES CONNECT IF NO OPTIONS USED

⚠️ INSTALL JUMPER FOR HIGH SPEED BLOWER OPERATION

	WIRING CODE		
	FACTORY STD.	FIELD	OPTIONAL
HIGH VOLTAGE			
LOW VOLTAGE			
ACCESSORY			

COLOR CODE			
BK	BLACK	PK	PINK
BL	BLUE	PR	PURPLE
BR	BROWN	R	RED
G	GREEN	T	TAN
D	ORANGE	Y	YELLOW