

COMPONENT CODE

CB1	CIRCUIT BREAKER #1
FB	FUSE BLOCK
GND	GROUND
HC1	HEATER CONTACTOR #1
HS1	HEAT STRIP #1
IBM	INDOOR BLOWER MOTOR
LS	LIMIT SWITCH
P1	ERV (HV) ACCESSORY PLUG
P2	CLIMATE CONTROL PLUG
P3	VENT (LV) ACCESSORY PLUG
SV1	SOLENOID VALVE #1
SV2	SOLENOID VALVE #2
T1	TRANSFORMER #1
TB1	TERMINAL BLOCK #1
TB2	TERMINAL BLOCK #2
TB3	TERMINAL BLOCK #3

A B C D LABELED WIRES CONNECT IF NO OPTIONS USED.

E MOVE RED WIRE TO 208V TAP FOR 208V OPERATION

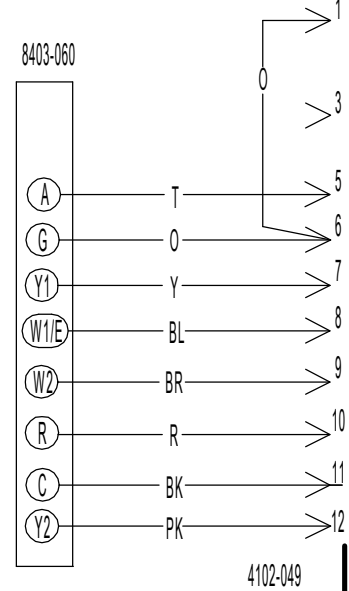
F INSTALL JUMPER FOR HIGH SPEED BLOWER OPERATION

WIRING CODE			
	FACTORY STD.	FIELD	OPTIONAL
HIGH VOLTAGE			
LOW VOLTAGE			
ACCESSORY			

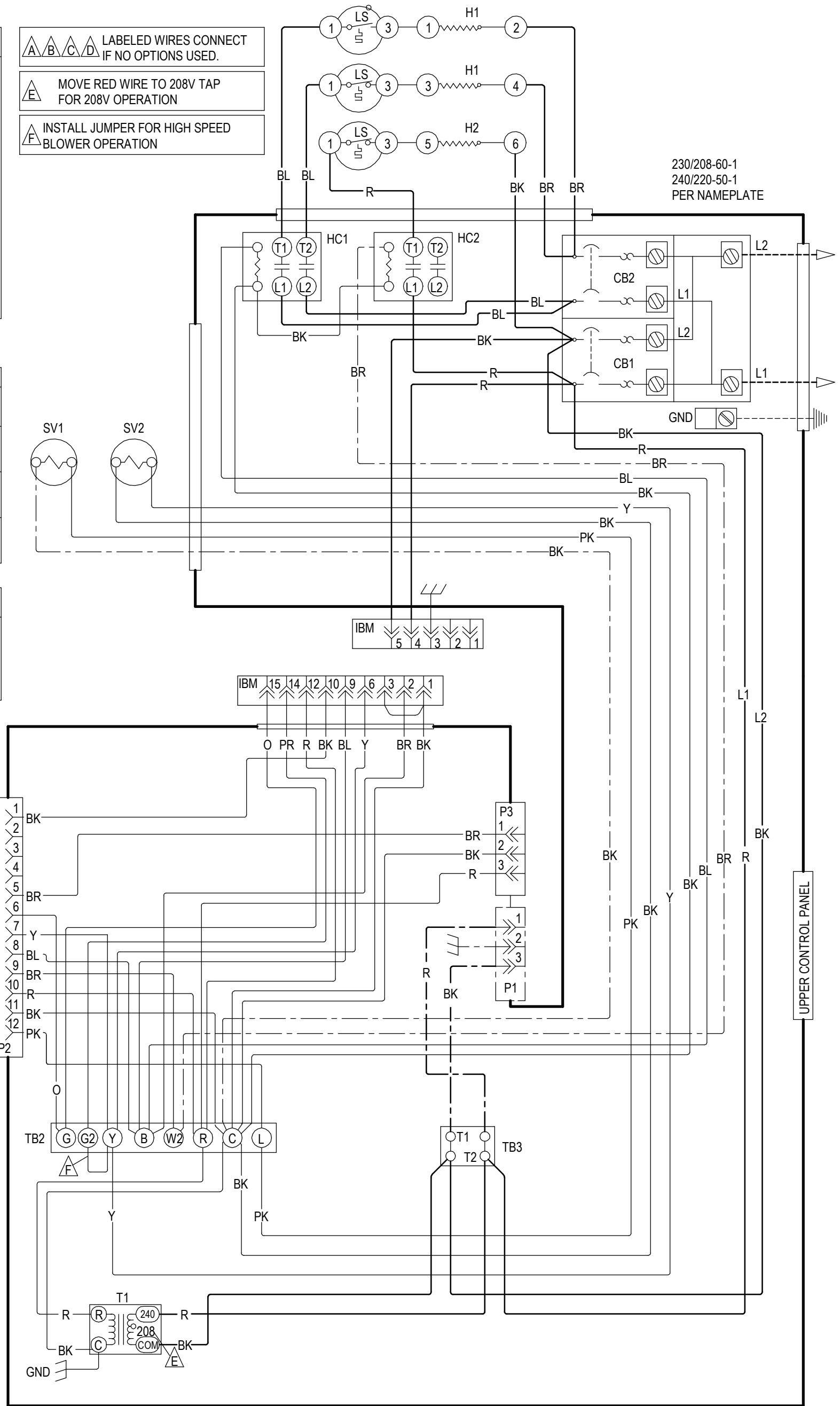
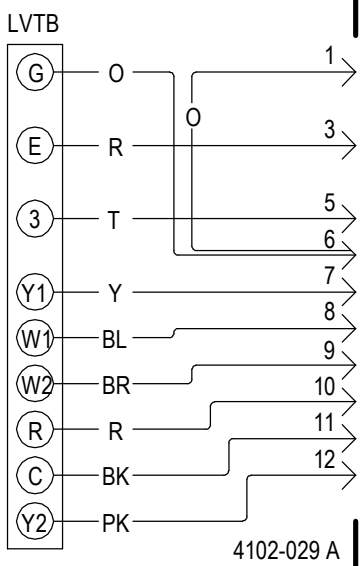
COLOR CODE

BK	BLACK	PK	PINK
BL	BLUE	PR	PURPLE
BR	BROWN	R	RED
G	GREEN	T	TAN
O	ORANGE	Y	YELLOW

"D" THERMOSTAT OPTION



LOW VOLTAGE TERM. BLOCK OPTION



4100C110 B