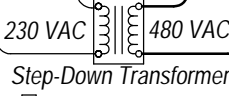
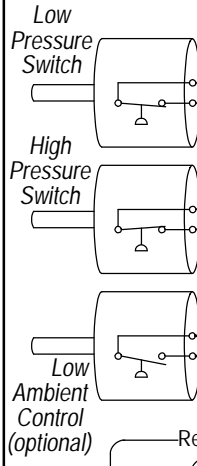


CAPACITOR CHART

MODEL	CAPACITOR
PH13602	5/370

Compressor



460-60-3 Diagram

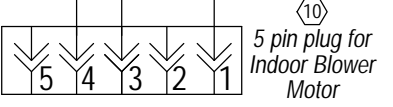
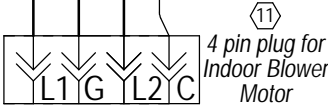
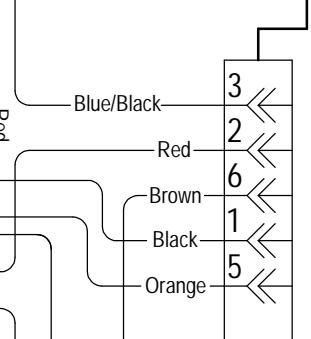
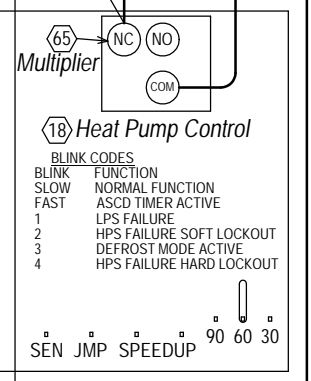
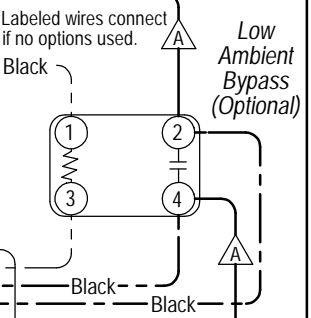
	Factory	Field	Optional
High Voltage			---
Low Voltage			---

WARNING
USE COPPER CONDUCTORS ONLY SUITABLE FOR AT LEAST 75° C.

DANGER
*ELECTRICAL SHOCK HAZARD
*DISCONNECT POWER BEFORE SERVICING.

99 Wire Identification numbers for Bard use only.

Bard
SINCE 1914
Bard Mfg. Co.
Bryan, Ohio
4110-304 A



BLINK CODES

BLINK	FUNCTION
SLOW	NORMAL FUNCTION
FAST	ASCD TIMER ACTIVE
1	LPS FAILURE
2	HPS FAILURE SOFT LOCKOUT
3	DEFROST MODE ACTIVE
4	HPS FAILURE HARD LOCKOUT

