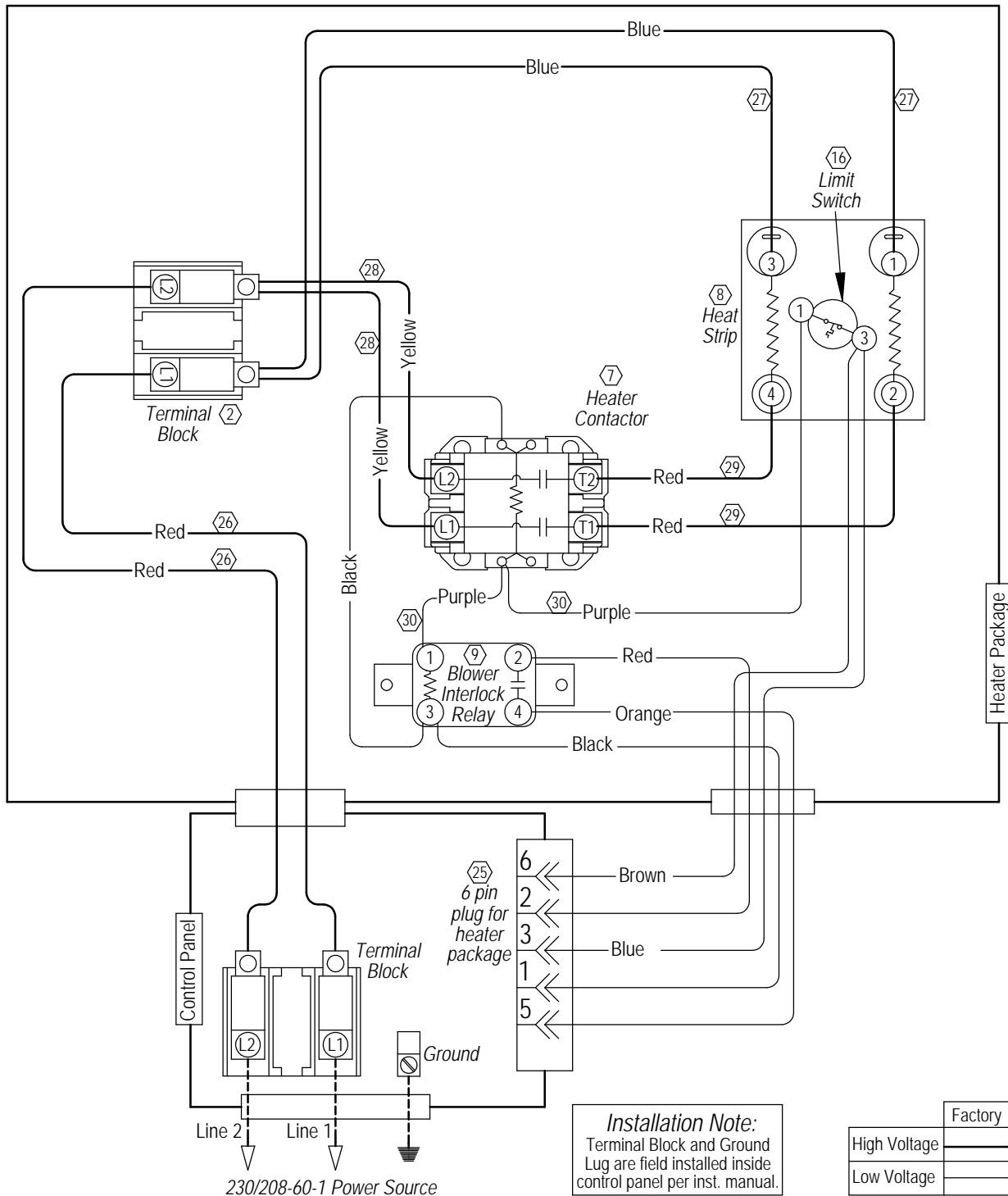
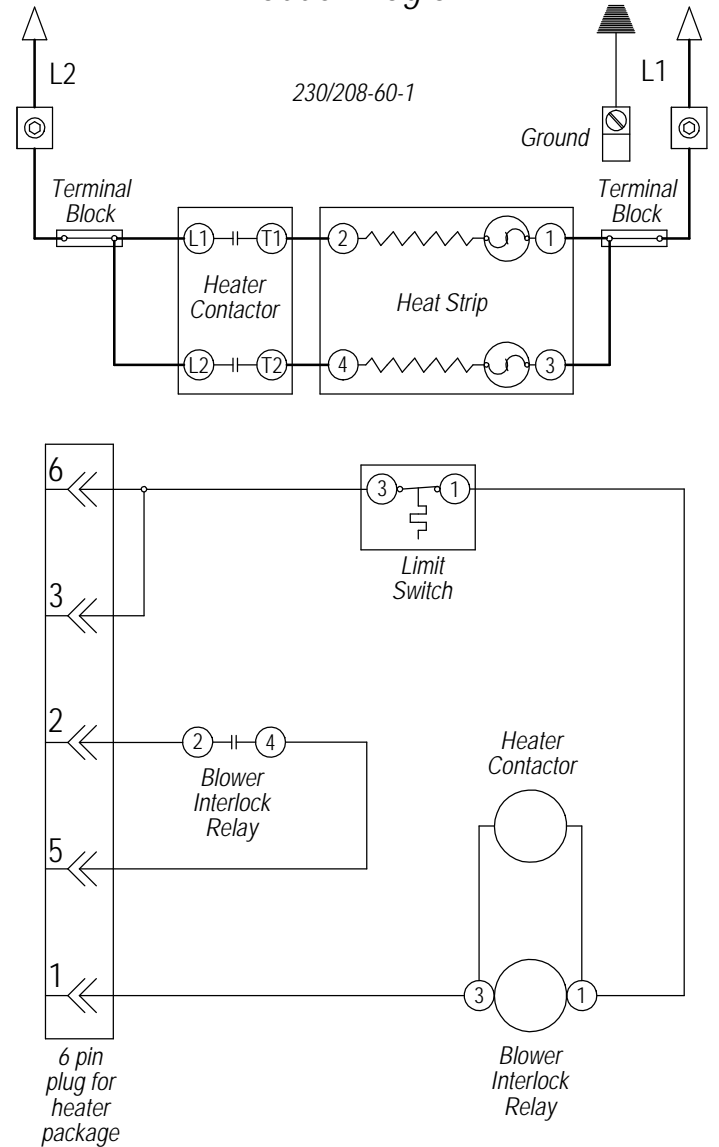


# Diagram for 230/208-60-1 Heater Package



**Installation Note:**  
Terminal Block and Ground Lug are field installed inside control panel per inst. manual.

# Ladder Diagram



**⚠ DANGER**  
\*ELECTRICAL SHOCK HAZARD  
\*DISCONNECT POWER BEFORE SERVICING.

**⚠ WARNING**  
USE COPPER CONDUCTORS  
ONLY SUITABLE FOR AT LEAST 75° C.

	Factory	Field	Optional
High Voltage	_____	_____	_____
Low Voltage	_____	_____	_____



4111-101