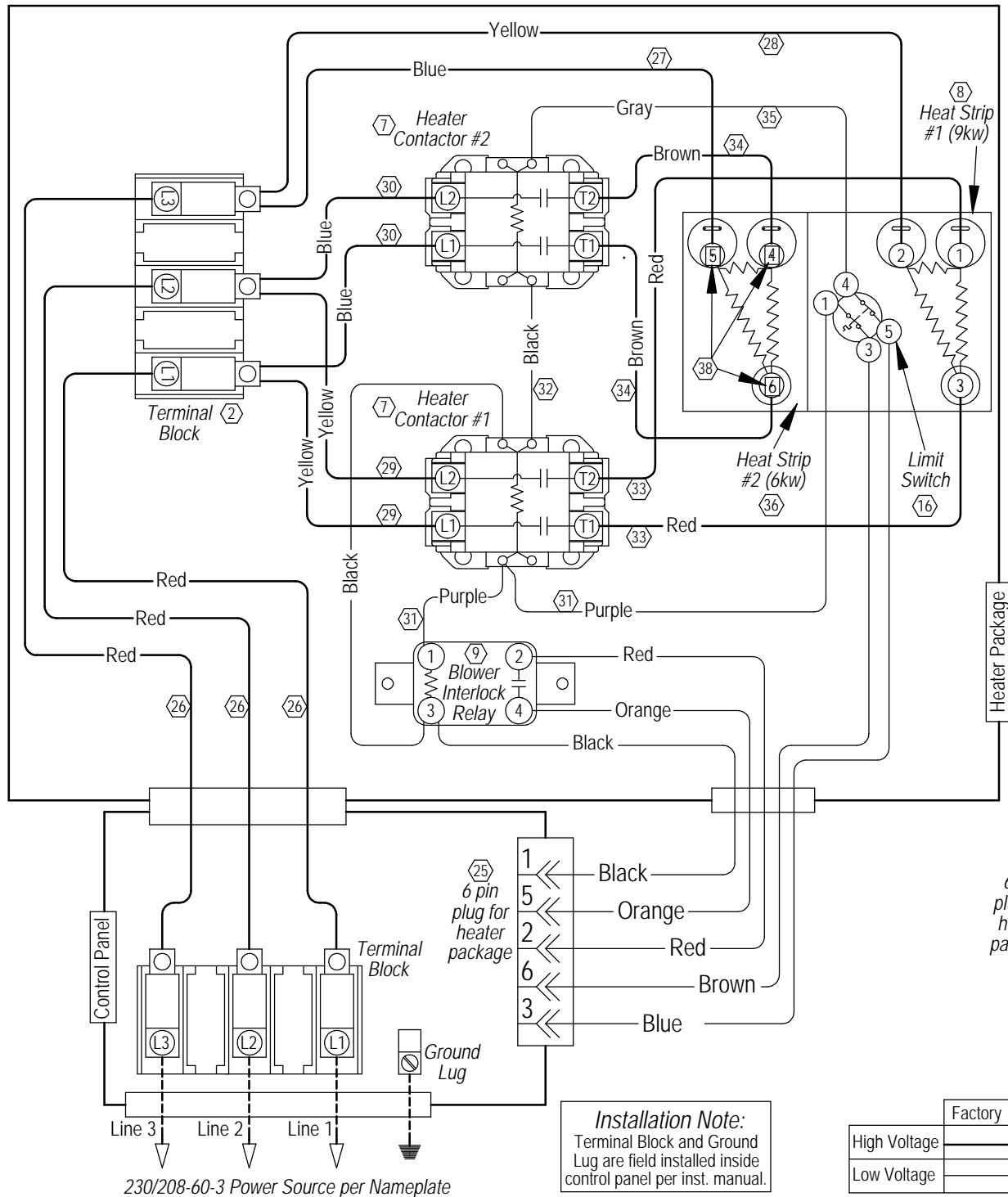
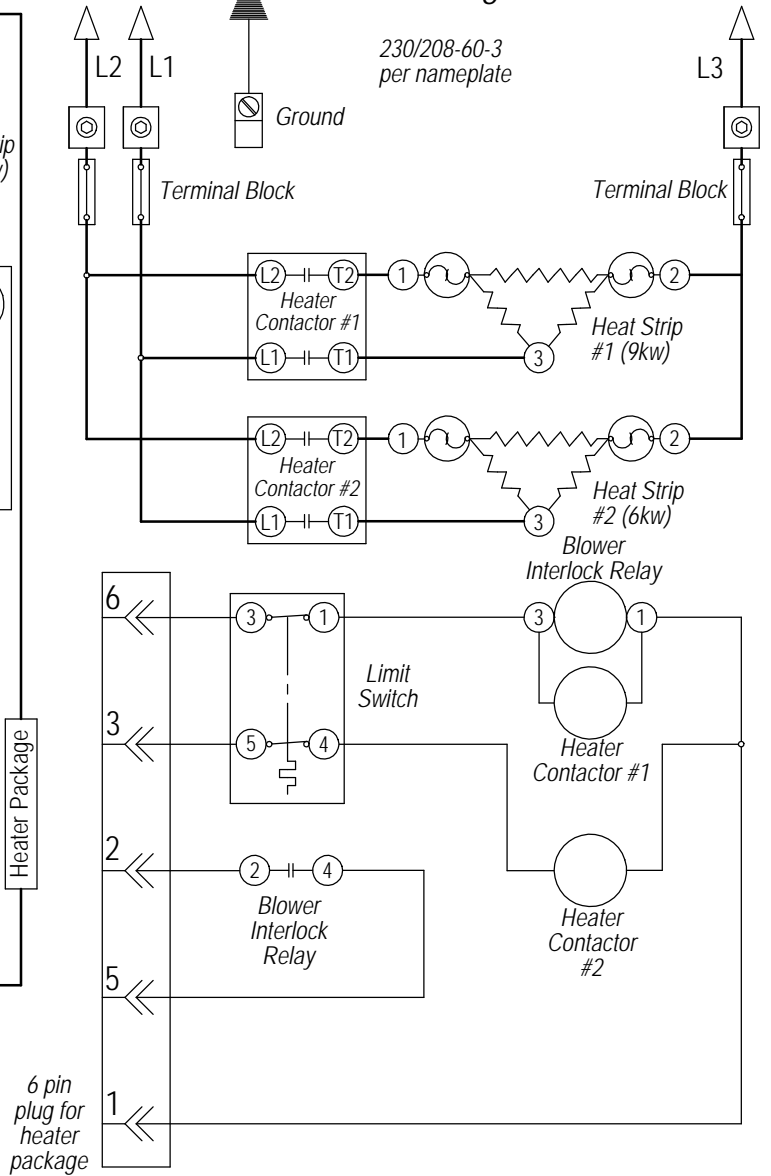


# Diagram for 230/208-60-3 Heater Package



**Installation Note:**  
Terminal Block and Ground Lug are field installed inside control panel per inst. manual.

# Ladder Diagram



**⚠ DANGER**  
\*ELECTRICAL SHOCK HAZARD  
\*DISCONNECT POWER BEFORE SERVICING.

**⚠ WARNING**  
USE COPPER CONDUCTORS  
ONLY SUITABLE FOR AT LEAST  
75° C.



4111-201 A

	Factory	Field	Optional
High Voltage			
Low Voltage			

230/208-60-3 Power Source per Nameplate