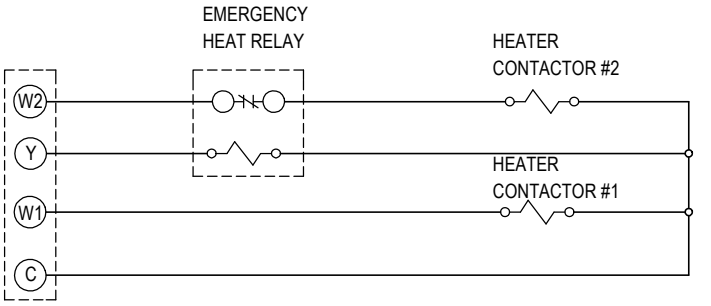
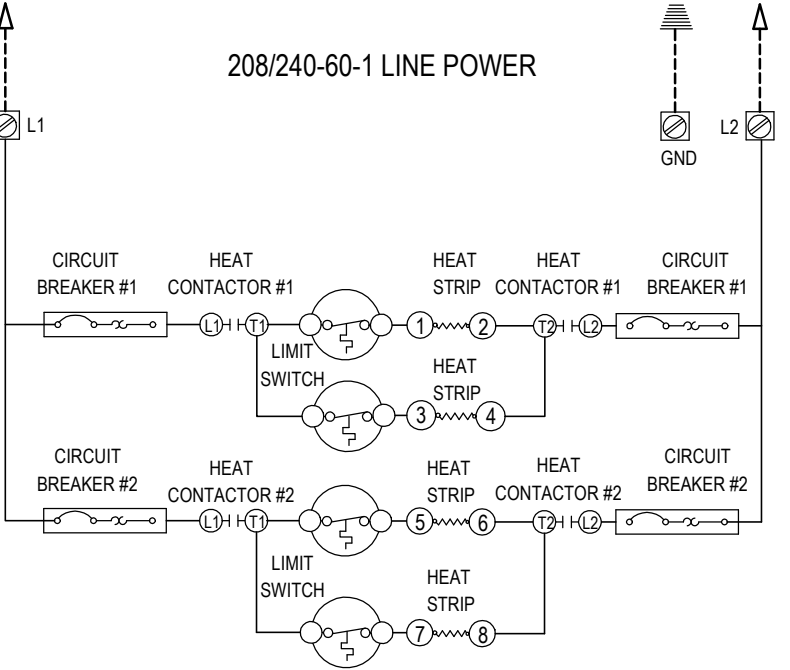


SINGLE CIRCUIT BREAKER SIZE	DUAL CIRCUIT BREAKER SIZE	
	CKT. A	CKT. B
100 A	50 A	50 A

208/240-60-1 LINE POWER



GTB1-A
TAP SELECT
CONTROL

Wire Identification numbers
for Bard use only.

WARNING
USE COPPER CONDUCTORS
ONLY SUITABLE FOR AT LEAST
75° C.

	Factory	Field	Optional
High Voltage			
Low Voltage			

DANGER
ELECTRICAL SHOCK HAZARD
DISCONNECT POWER BEFORE
SERVICING.

4117-105 A

CLASS 2 WIRING