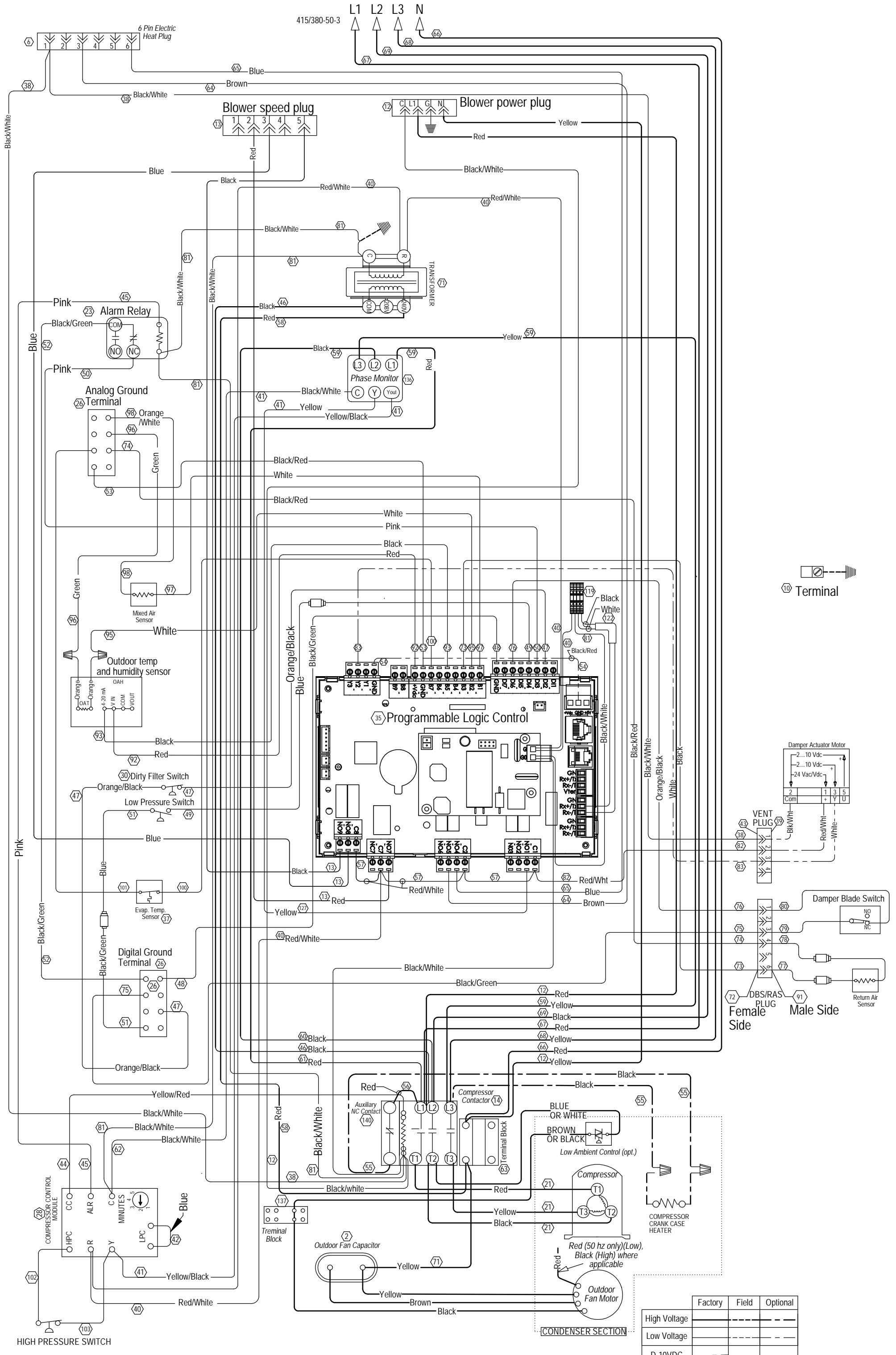
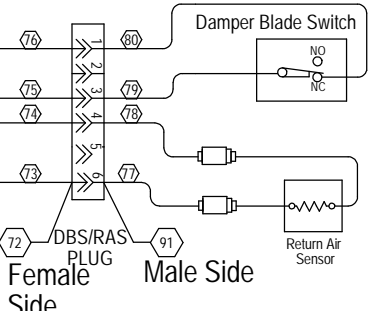
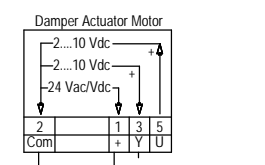


415/380-50-3
L1 L2 L3 N



Terminal



| | Factory | Field | Optional |
|--------------|---------|-------|----------|
| High Voltage | | --- | --- |
| Low Voltage | | --- | --- |
| D-10VDC | | --- | --- |