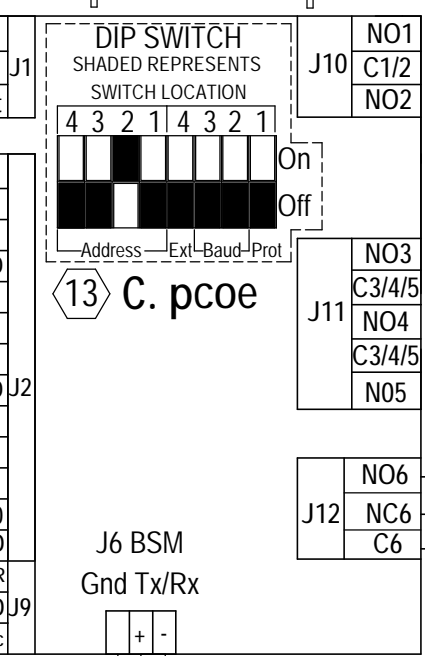
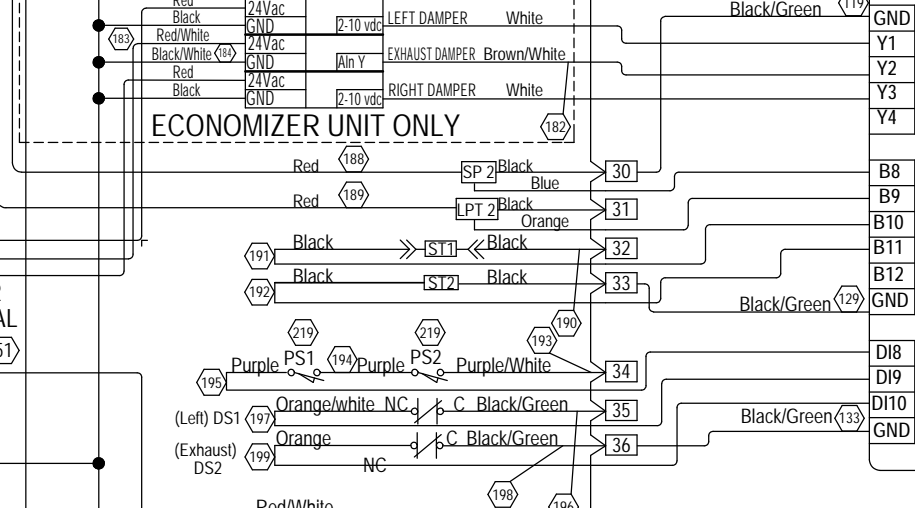
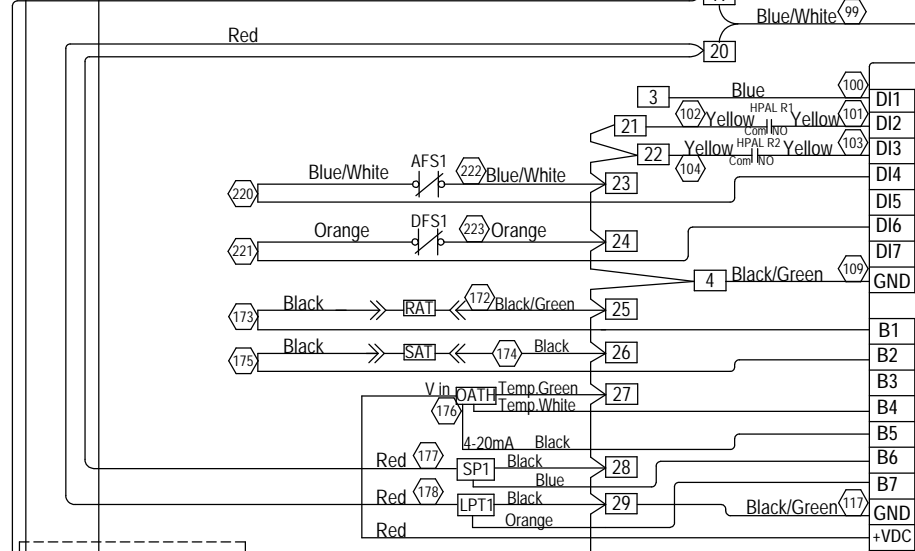
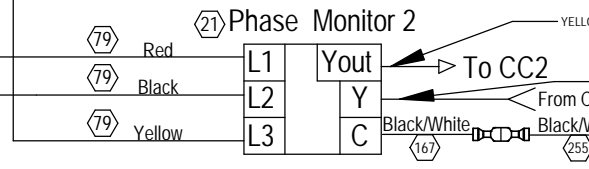
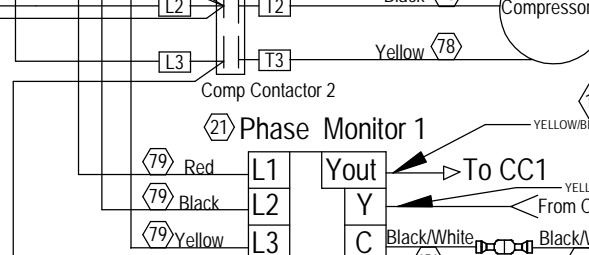
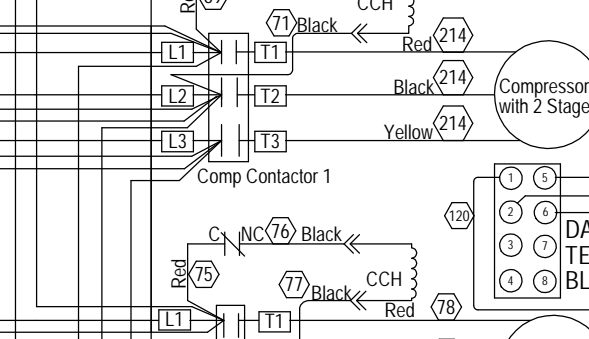
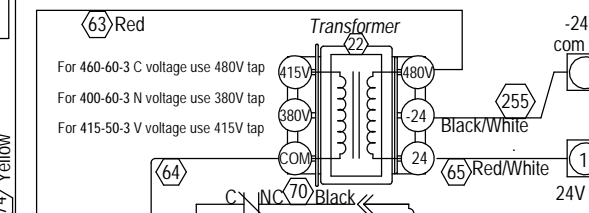
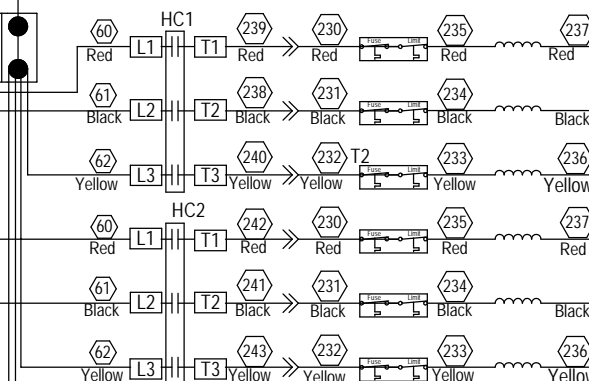
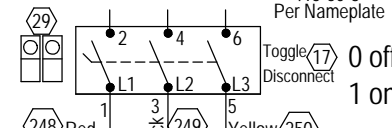
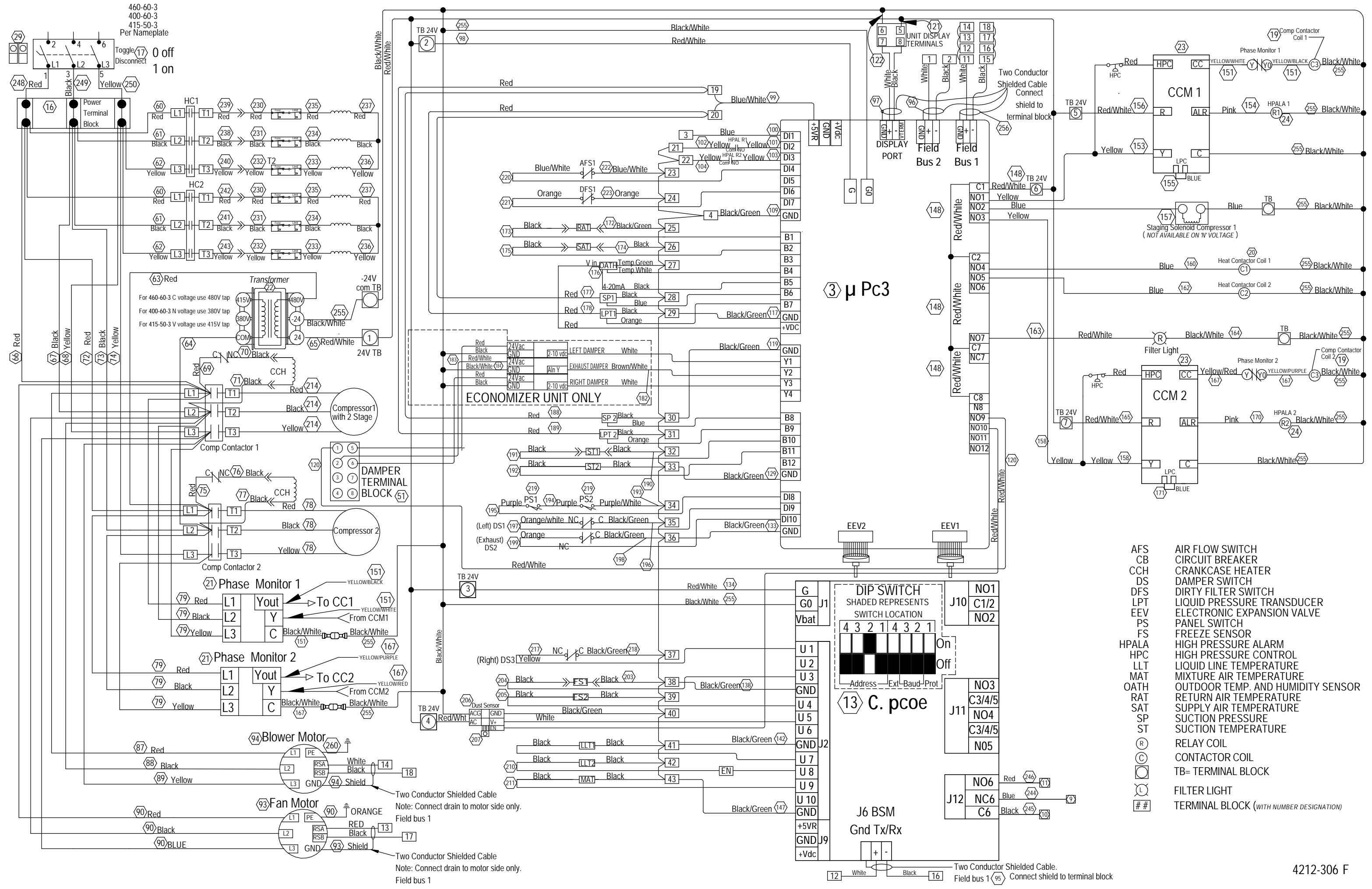


460-60-3
400-60-3
415-50-3
Per Nameplate



- AFS AIR FLOW SWITCH
- CB CIRCUIT BREAKER
- CCH CRANKCASE HEATER
- DS DAMPER SWITCH
- DFS DIRTY FILTER SWITCH
- LPT LIQUID PRESSURE TRANSDUCER
- EEV ELECTRONIC EXPANSION VALVE
- PS PANEL SWITCH
- FS FREEZE SENSOR
- HPALA HIGH PRESSURE ALARM
- HPC HIGH PRESSURE CONTROL
- LLT LIQUID LINE TEMPERATURE
- MAT MIXTURE AIR TEMPERATURE
- OATH OUTDOOR TEMP. AND HUMIDITY SENSOR
- RAT RETURN AIR TEMPERATURE
- SAT SUPPLY AIR TEMPERATURE
- SP SUCTION PRESSURE
- ST SUCTION TEMPERATURE
- (R) RELAY COIL
- (C) CONTACTOR COIL
- TB= TERMINAL BLOCK
- (L) FILTER LIGHT
- (#) TERMINAL BLOCK (WITH NUMBER DESIGNATION)