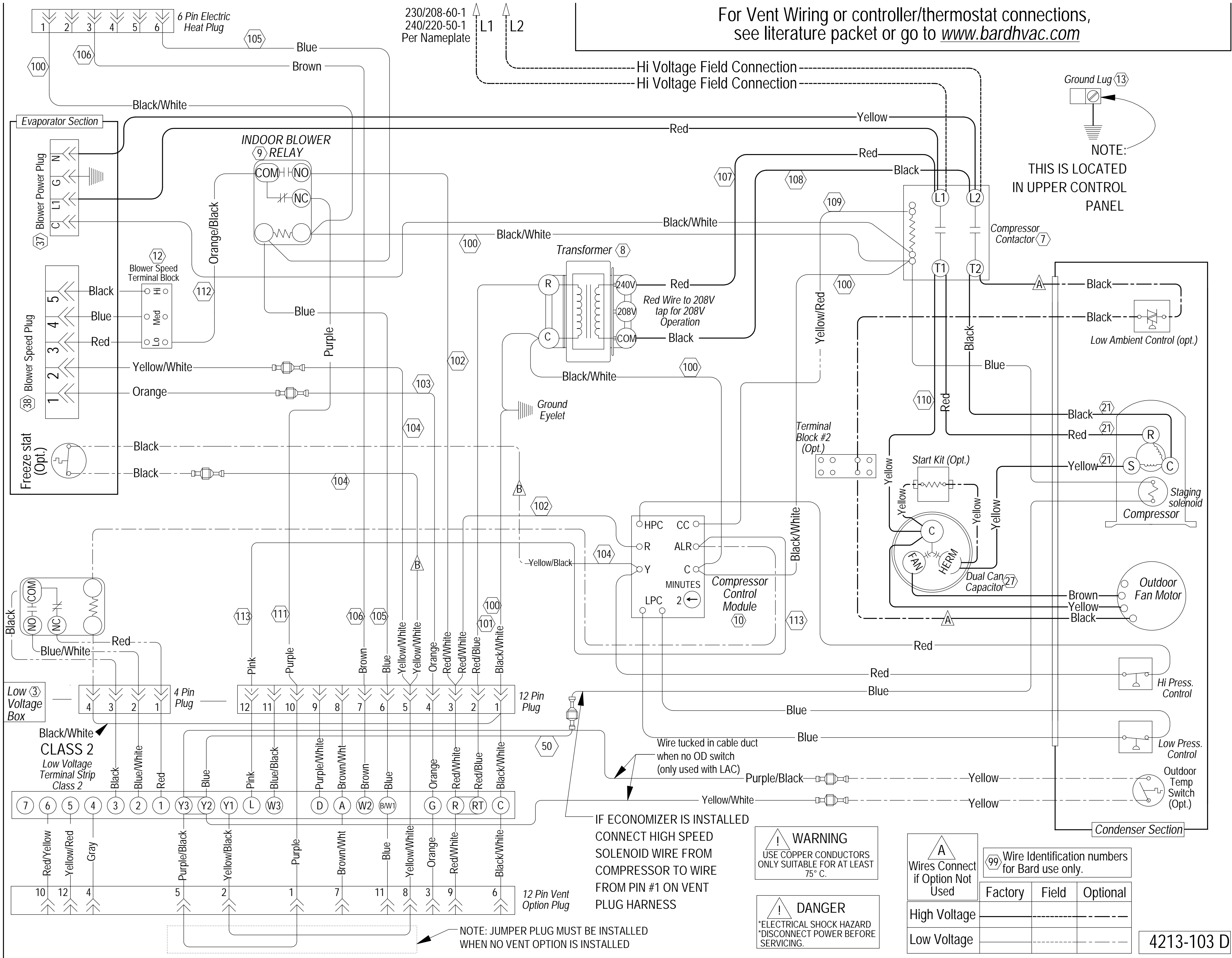
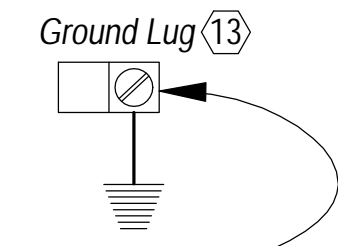


For Vent Wiring or controller/thermostat connections, see literature packet or go to [www.bardhvac.com](http://www.bardhvac.com)

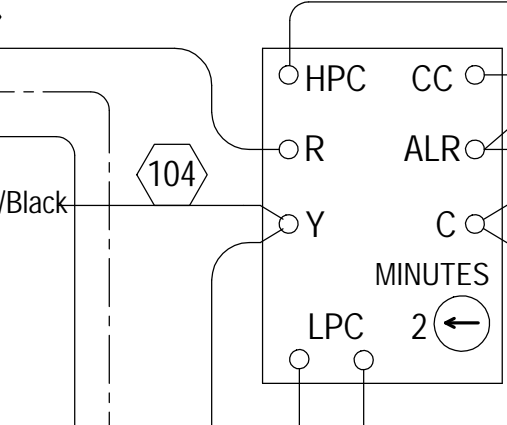
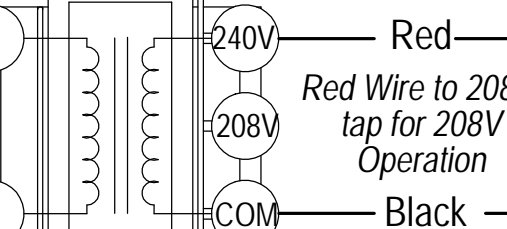


230/208-60-1  
240/220-50-1  
Per Nameplate

Hi Voltage Field Connection  
Hi Voltage Field Connection



NOTE:  
THIS IS LOCATED  
IN UPPER CONTROL  
PANEL



**WARNING**  
USE COPPER CONDUCTORS  
ONLY SUITABLE FOR AT LEAST  
75° C.

**DANGER**  
\*ELECTRICAL SHOCK HAZARD  
\*DISCONNECT POWER BEFORE  
SERVICING.

A	Wires Connect if Option Not Used	Factory	Field	Optional
	High Voltage			
	Low Voltage			

99 Wire Identification numbers for Bard use only.

Factory	Field	Optional

4213-103 D

NOTE: JUMPER PLUG MUST BE INSTALLED WHEN NO VENT OPTION IS INSTALLED