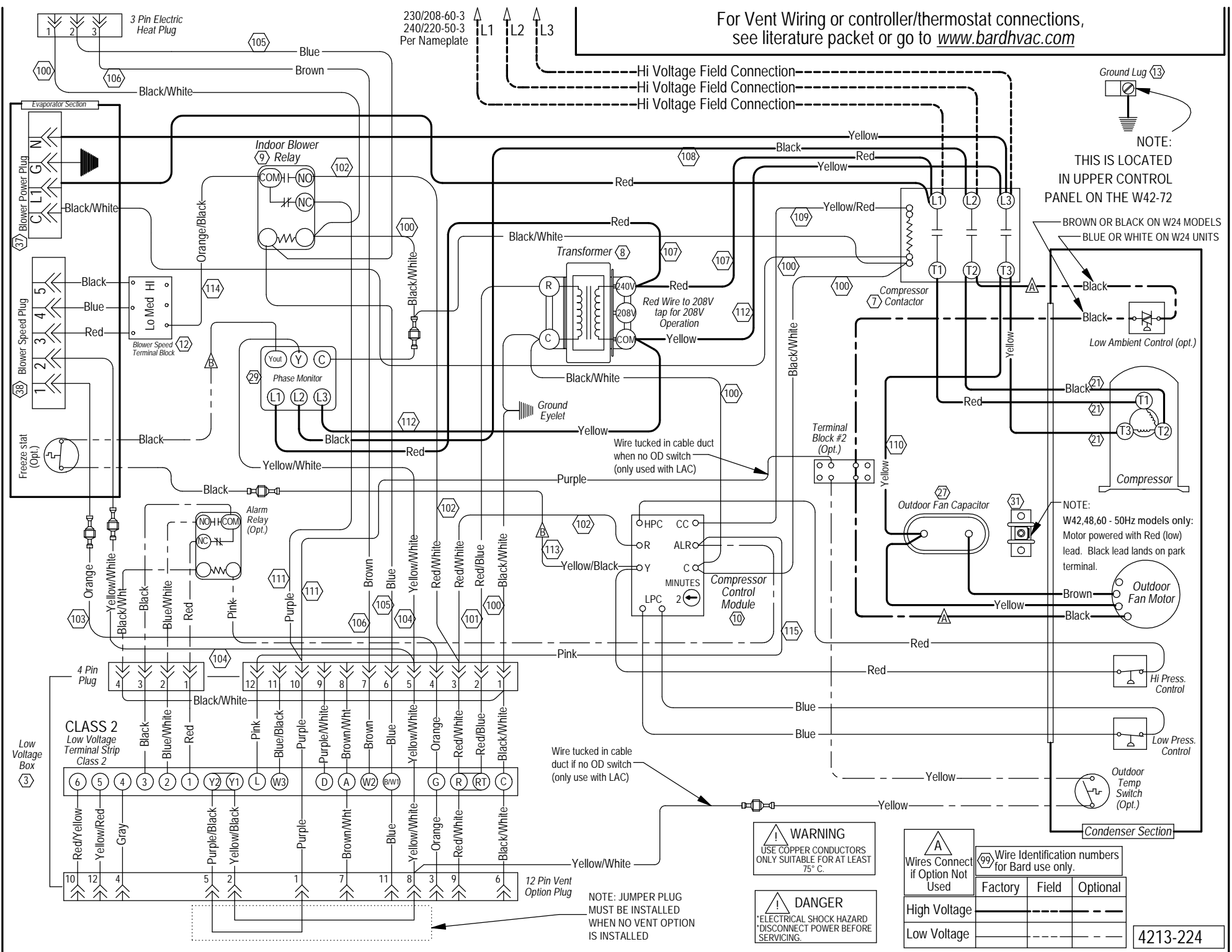


For Vent Wiring or controller/thermostat connections, see literature packet or go to www.bardhvac.com

230/208-60-3
240/220-50-3
Per Nameplate



NOTE:
THIS IS LOCATED
IN UPPER CONTROL
PANEL ON THE W42-72

BROWN OR BLACK ON W24 MODELS
BLUE OR WHITE ON W24 UNITS

NOTE:
W42,48,60 - 50Hz models only:
Motor powered with Red (low)
lead. Black lead lands on park
terminal.

High Voltage	Factory	Field	Optional
Low Voltage			

Wire Identification numbers for Bard use only.		
Factory	Field	Optional

4213-224