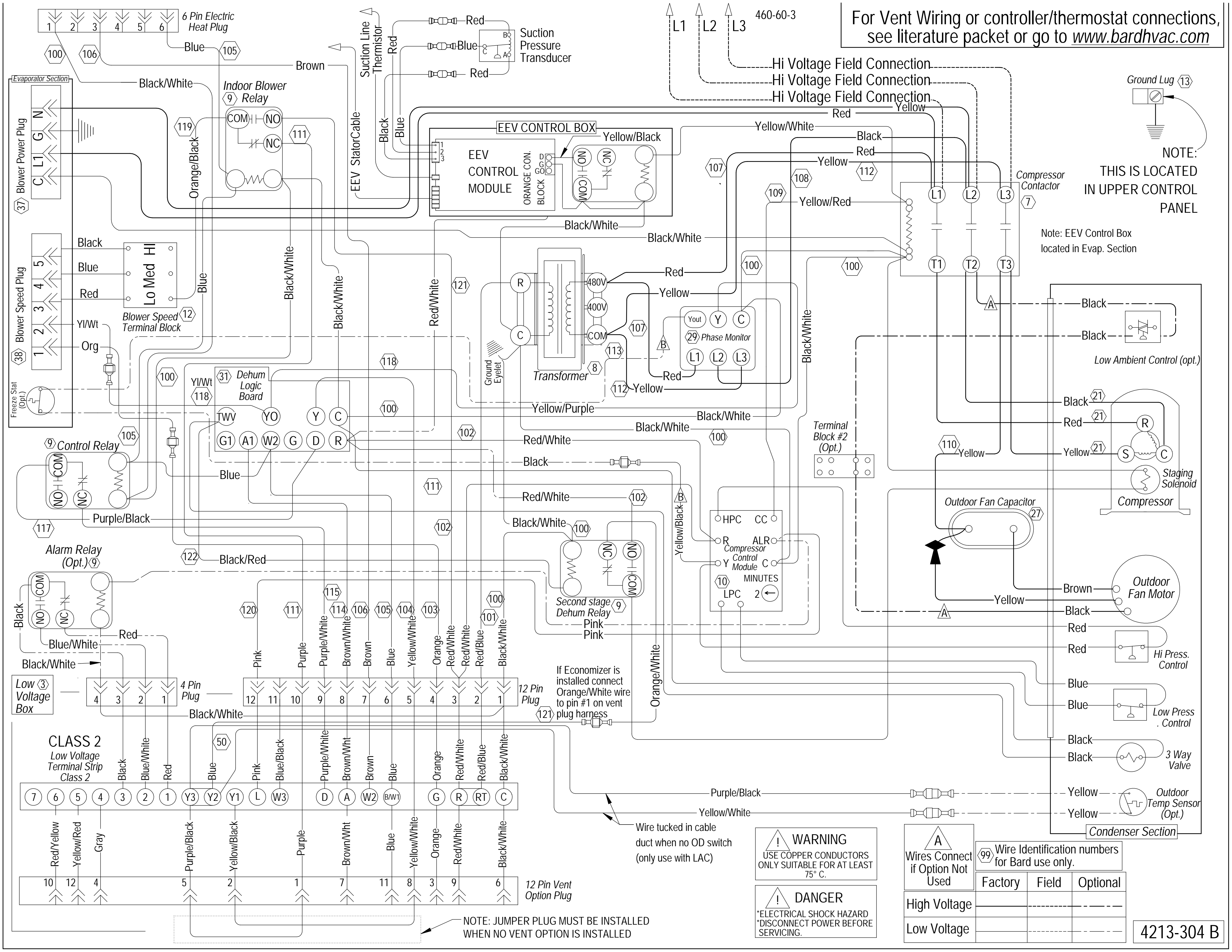


For Vent Wiring or controller/thermostat connections, see literature packet or go to www.bardhvac.com



NOTE:
THIS IS LOCATED
IN UPPER CONTROL
PANEL

Note: EEV Control Box
located in Evap. Section

Low Ambient Control (opt.)

Staging Solenoid

Outdoor Fan Motor

Hi Press. Control

Low Press. Control

3 Way Valve

Outdoor Temp Sensor (Opt.)

Condenser Section

WARNING
USE COPPER CONDUCTORS
ONLY SUITABLE FOR AT LEAST
75° C.

DANGER
*ELECTRICAL SHOCK HAZARD
*DISCONNECT POWER BEFORE
SERVICING.

A
Wires Connect
if Option Not
Used

High Voltage			
Low Voltage			

99 Wire Identification numbers
for Bard use only.

	Factory	Field	Optional
High Voltage			
Low Voltage			

4213-304 B

Wire tucked in cable
duct when no OD switch
(only use with LAC)

NOTE: JUMPER PLUG MUST BE INSTALLED
WHEN NO VENT OPTION IS INSTALLED

6 Pin Electric Heat Plug

Blower Power Plug
Blower Speed Plug

Lo Med HI
Blower Speed Terminal Block

Control Relay

Alarm Relay (Opt.)

Low Voltage Box

CLASS 2 Low Voltage Terminal Strip Class 2

12 Pin Vent Option Plug

Indoor Blower Relay

Dehum Logic Board

Second stage Dehum Relay

Compressor Control Module

Transformer

Phase Monitor

Outdoor Fan Capacitor

Compressor

Outdoor Fan Motor

Hi Press. Control

Low Press. Control

3 Way Valve

Outdoor Temp Sensor (Opt.)