

## INSTALLATION INSTRUCTIONS FOR BOP-1A, 2, 3, 5 SERVICE DOOR BLANK OFF PLATE

- STEP 1. Disconnect all power to the unit.
- STEP 2. Remove service door. (See Figure 1) Remove fresh air damper from service door if installed.
- STEP 3. The exhaust cover plate must be in place when a BOP-1A, 2, 3, or 5 is installed. (See Figure 2)
- STEP 4. BOP is to be installed on the inside of the service door with (4) screws provided. Screws are installed from outside. (See Figure 3)

FIGURE 1

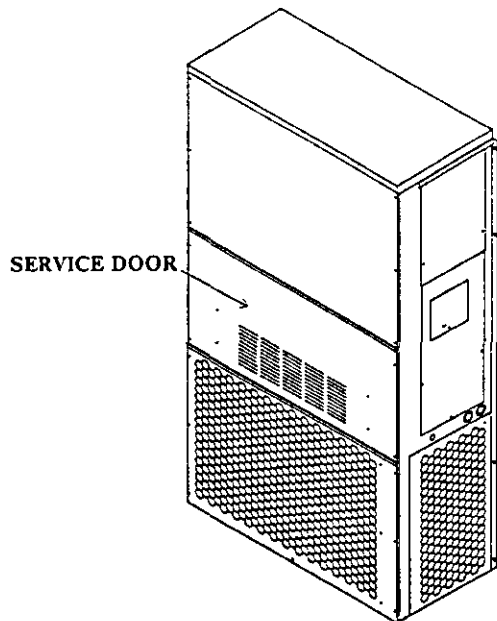


FIGURE 2

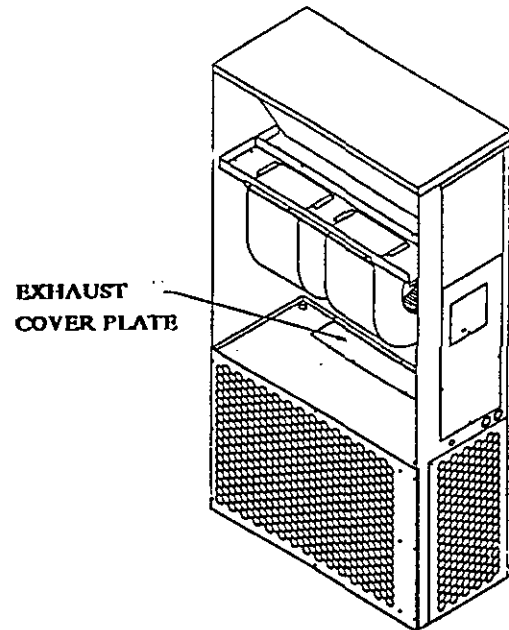


FIGURE 3

