

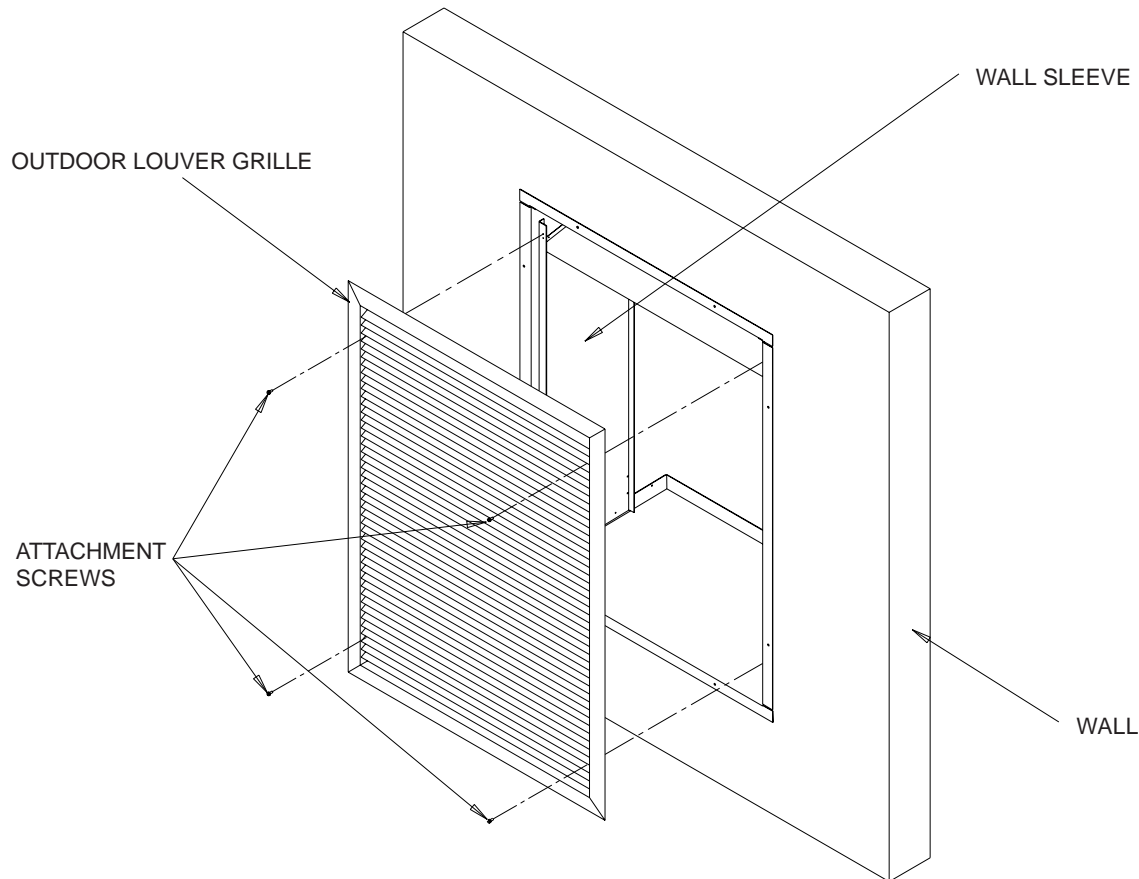


Climate Control Solutions

Bard Manufacturing Company, Inc.
Bryan, Ohio 43506

**QLG-10, QLG-11, QLG-15,
QLG-20, QLG-21, QLG-25,
QLG-30, QLG-31, QLG-35**

OUTDOOR LOUVER GRILLE INSTALLATION INSTRUCTIONS



MIS-967

1. Remove the four screws holding the weather panel. Save these screws, they will be used to attach the grille. *NOTE: A T-25 Torx Driver is required.*
2. Remove the weather panel from the sleeve from the outside and discard.
3. Position the Outdoor Louver Grille in the sleeve opening. The louvers must be facing downward.
4. The Outdoor Louver Grille flanges should touch the sleeve flanges on the outside wall.
5. Locate the four mounting holes in the Outdoor Louver Grille. They can be seen by looking under the louvers.
6. The Outdoor Louver Grille fastens through the same holes in the sleeve as the weather panel.
7. Insert the screws through the grille mounting holes and attach the Outdoor Louver Grille using the mounting holes provided in the sleeve.