
SUPPLEMENTAL INSTRUCTIONS

Top Fill

Models:

QPBX42-9-1	QPBX48-9-4
QPBX42-9-4	QPBX48-9-V
QPBX42-9-V	QPBX48-9-X
QPBX42-9-X	

Application

Top Fill QPBX42-9 is to be used in conjunction with QPB42, QPBS42 or QCX10A.

The QPBX42-9 will provide enclosure from the top of the QPB42 or QPBS42 to 9'6" ceiling when used with QH/QA units, and 9'9" when used with QWS units.

When used with a QCX10A, it will enclose to 10'2" ceiling when used with QH/QA units, and 10'5" when used with QWS units.

Top Fill QPBX48-9 is to be used in conjunction with QPB48, QPBS48 or QCX15A.

The QPBX48-9 will provide enclosure from the top of the QPB48 or QPBS48 to 9'6" ceiling when used with QH/QA units, and 9'9" when used with QWS units.

When used with a QCX15A, it will enclose to 10'2" ceiling when used with QH/QA units, and 10'5" when used with QWS units.

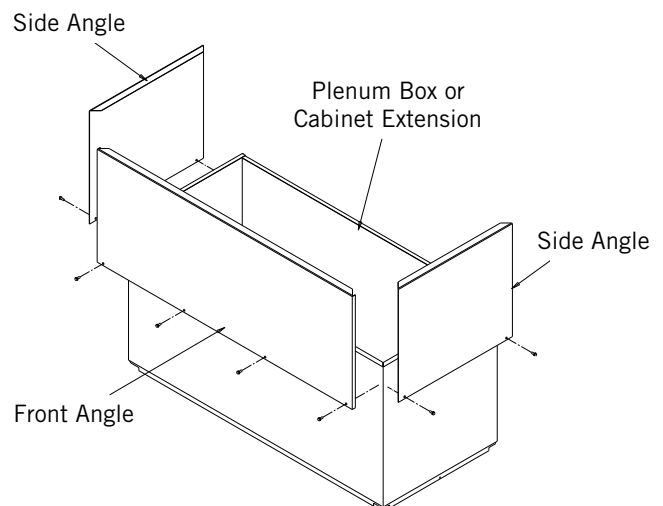
Installation

After the plenum box or cabinet extension has been properly attached to the Q-TEC™ unit, place the side angles against the side of the cabinet extension or plenum and slide it up to the ceiling. Make sure the angles are centered side to side. Mark the holes to be drilled. Drill a 1/8" diameter hole in the center of each mark. Reposition the angles and attach with screws provided.

Place the front angle against the front of the cabinet extension or plenum box and slide it up to the ceiling. Make sure the angle is centered side to side. Mark the holes to be drilled. Drill a 1/8" diameter hole in the center of each mark. Reposition the angle and attach with the screws provided.

Some trimming to fit around grille opening may be required. Grille flanges cover trimmed area.

FIGURE 1



MIS 1376



Bard Manufacturing Company, Inc.
Bryan, Ohio 43506
www.bardhvac.com

Manual: 7960-441D
Supersedes: 7960-441C
Date: 6-3-20