



Climate Control Solutions

Bard Manufacturing Company, Inc.
Bryan, Ohio 43506

TOP FILL INSTALLATION INSTRUCTIONS

QPBX42-10-4 QPBX48-10-4
QPBX42-10-V QPBX48-10-V
QPBX42-10-X QPBX48-10-X

APPLICATION

The Top Fill QPBX42-10 is to be used in conjunction with QPB42 and QPBS42.

The QPBX42-10 will provide enclosure from the top of the QPB42 or QPBS42 to 10'2" ceiling when used with QH/QA units, and 10'5" when used with QWS units.

The Top Fill QPBX48-10 is to be used in conjunction with QPB48 and QPBS48.

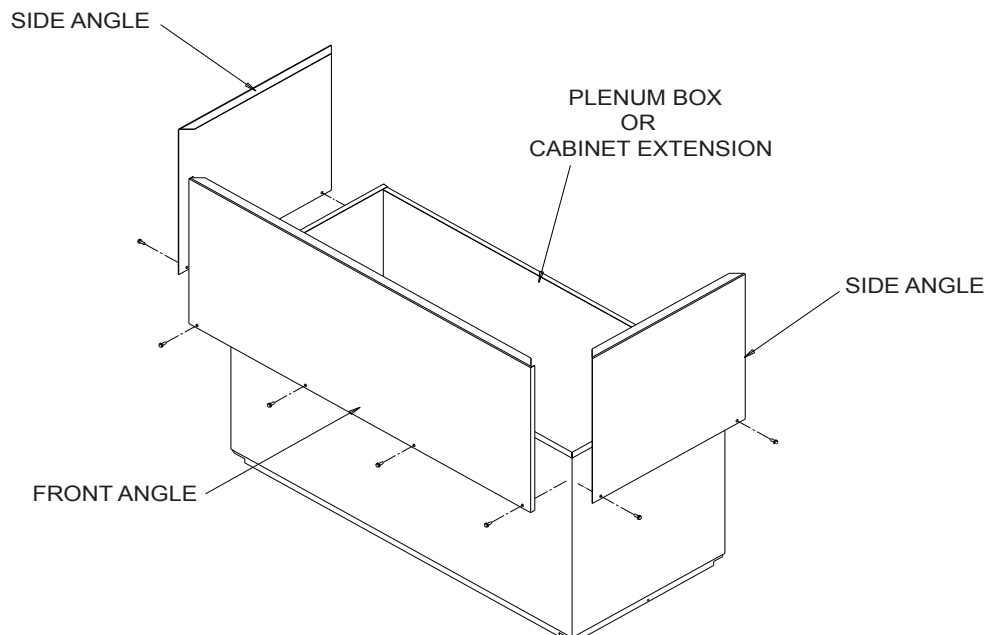
The QPBX48-10 will provide enclosure from the top of the QPB48 or QPBS48 to 10'2" ceiling when used with QH/QA units, and 10'5" when used with QWS units.

INSTALLATION INSTRUCTION

After the Plenum Box has been properly attached to the QTEC unit, place the side angles against the side of the plenum and slide it up to the ceiling. Make sure the angles are centered side to side. Mark the holes to be drilled. Drill an 1/8" dia. hole in the center of each mark. Reposition the angles and attach with screws provided.

Place the front angle against the front of the plenum box and slide it up to the ceiling. Make sure the angle is centered side to side. Mark the holes to be drilled. Drill an 1/8" dia. hole in the center of the marks. Reposition the angle and attach with the screws provided.

Some trimming to fit around grille opening may be required. Grille flanges cover trimmed area.



MIS-1376