



Climate Control Solutions

Bard Manufacturing Company
Bryan, Ohio 43506

INSTALLATION INSTRUCTIONS CMA-28

LOW AMBIENT FAN CYCLING CONTROL

APPLICATION: This is a fan cycling low ambient control for use only on R-410A refrigerant systems.

DESCRIPTION

The CMA-28 is a field installable low ambient fan cycling control kit. The CMA-28 consists of:

1. Installation Instruction 7960-523
2. Terminal Block 8607-017
3. Screw Part #1012-066
4. Low Ambient Fan Cycling Control 8406-112
5. CMA-28 Unit Label 7961-0123-0173

INSTALLATION INSTRUCTIONS

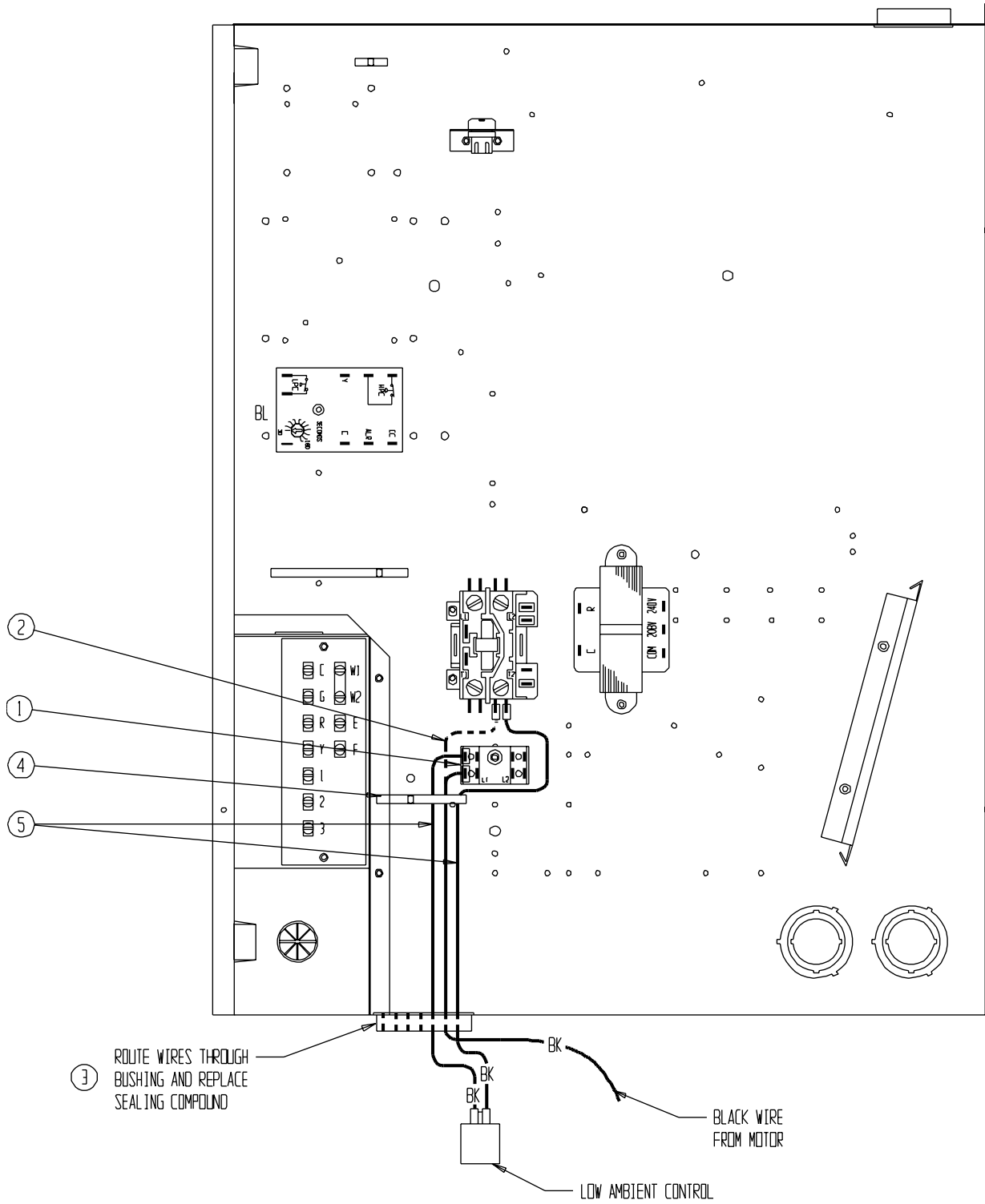
The CMA-28 kit is for use with all WA3S, WA4S and WA5S Wall Mount Air Conditioners.

Disconnect all power to unit. Remove control panel inner and outer covers, and right side condenser inlet grille. Circled numbers on Figure 1 correspond to installation instruction steps. Dashed lines indicate that a wire has been disconnected from this terminal.

- Step 1. Mount supplied 8607-017 Terminal Block into control panel with supplied 1012-066 screw as shown in Figure 1, Step 1.
- Step 2. Disconnect black high voltage outdoor motor lead from compressor contactor and reconnect to terminal block as shown in Figure 1, Step 2.
- Step 3. Remove the upper service port cap from the liquid line. Install the low ambient control on the liquid line by screwing it into the service port. Snug the connection with wrenches and check for leaks. See Figure 2.

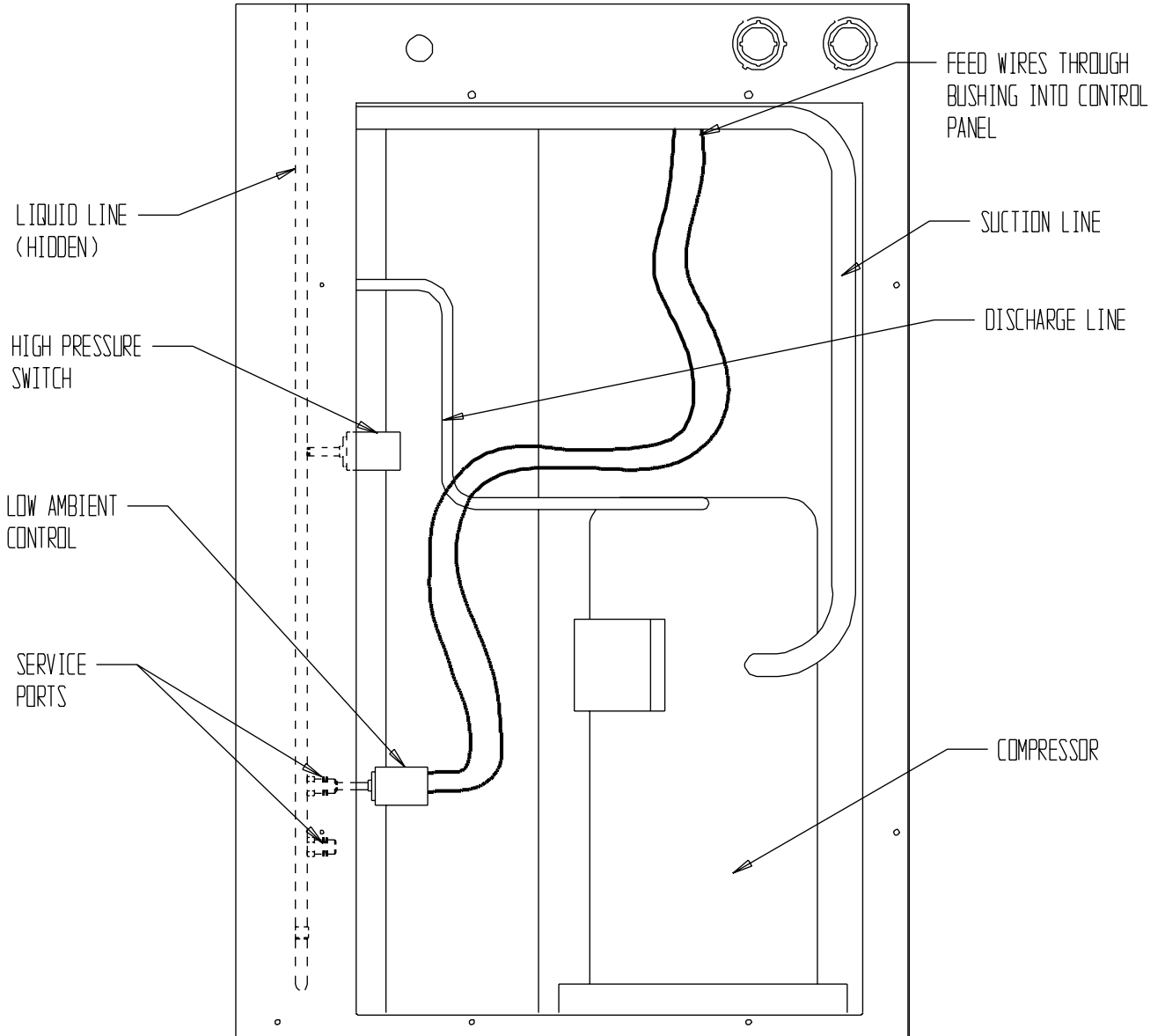
- Step 4. Route low ambient control wires up through the bushing in the bottom of the control panel. Replace sealing compound after routing wires through the bushing. Route the wires through the wire holders in the control panel as shown in Figure 1, Steps 3 and 4.
- Step 5. Connect the low ambient control wires between the terminal block and T2 of the compressor contactor. See Figure 1, Step 5.
- Step 6. Recheck wiring by referring to Figure 1. Energize the unit in cooling mode (first or second stage). The compressor should start (except when equipped with economizer and enthalpy control is energizing "free cooling" mode. Energizing "Y2" will override the enthalpy control allowing the mechanical cooling to operate). Run the unit for at least 5 minutes. The condenser fan motor should not run until the liquid pressure has reached 350 PSI. Should the liquid pressure fall below 225 PSI while running, the condenser fan motor will de-energize until the head pressure builds to 350 PSI.
- Step 7. Apply "This unit equipped with CMA-28 control module" label to the inside of the inner control panel cover above the wiring diagram.
- Step 8. Replace all panels and covers. This completes the installation.

FIGURE 1



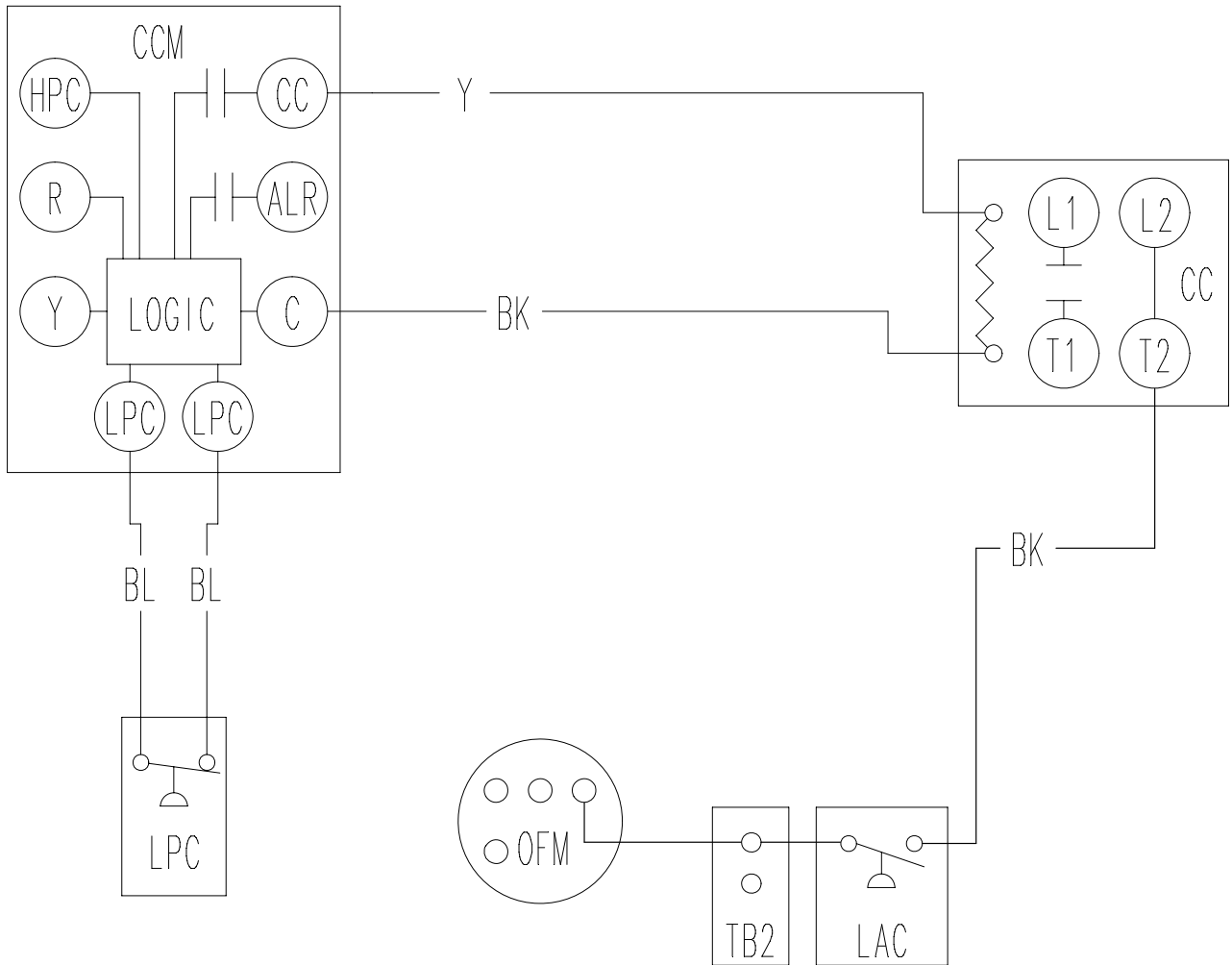
MIS-2046

FIGURE 2



MIS-2047

FIGURE 3



MIS-1370