



Climate Control Solutions

Bard Manufacturing Company, Inc.
Bryan, Ohio 43506

RHP313-A & RHP513-A ROOF HOOD INSTALLATION INSTRUCTIONS

FIGURE 1
TYPICAL ROOF TOP INSTALLATION
(PACKAGE UNIT, ROOF HOOD, ROOF CURB SHOWN)

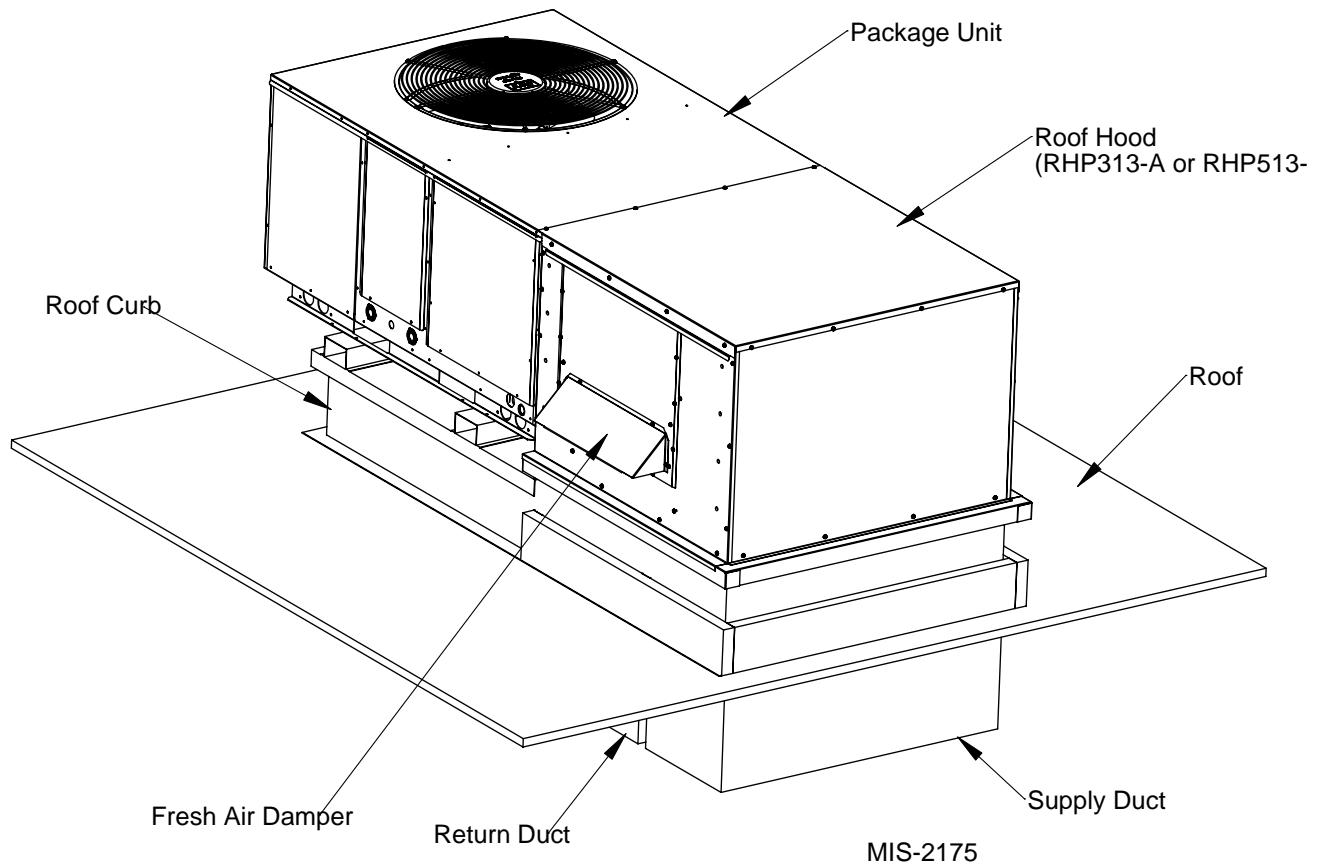
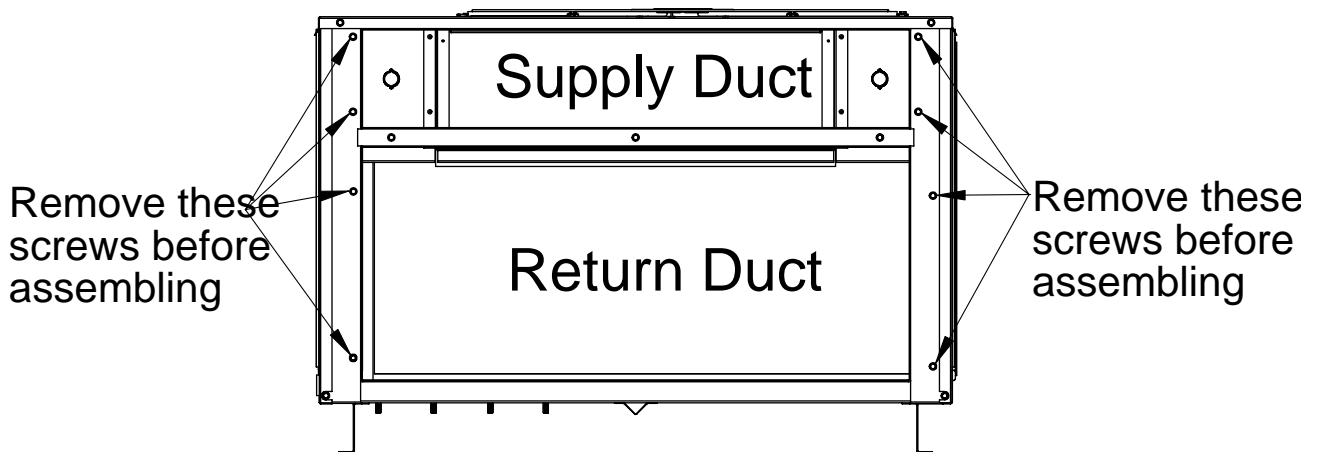
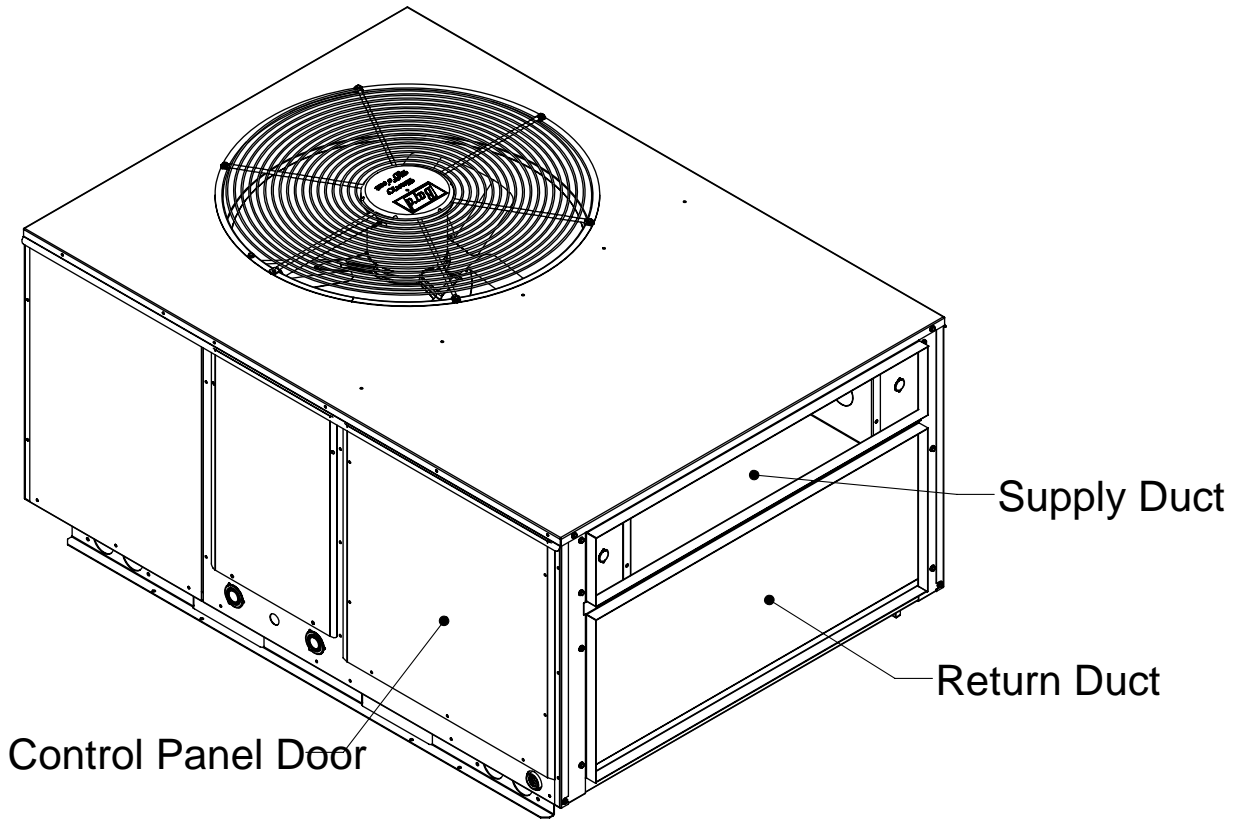
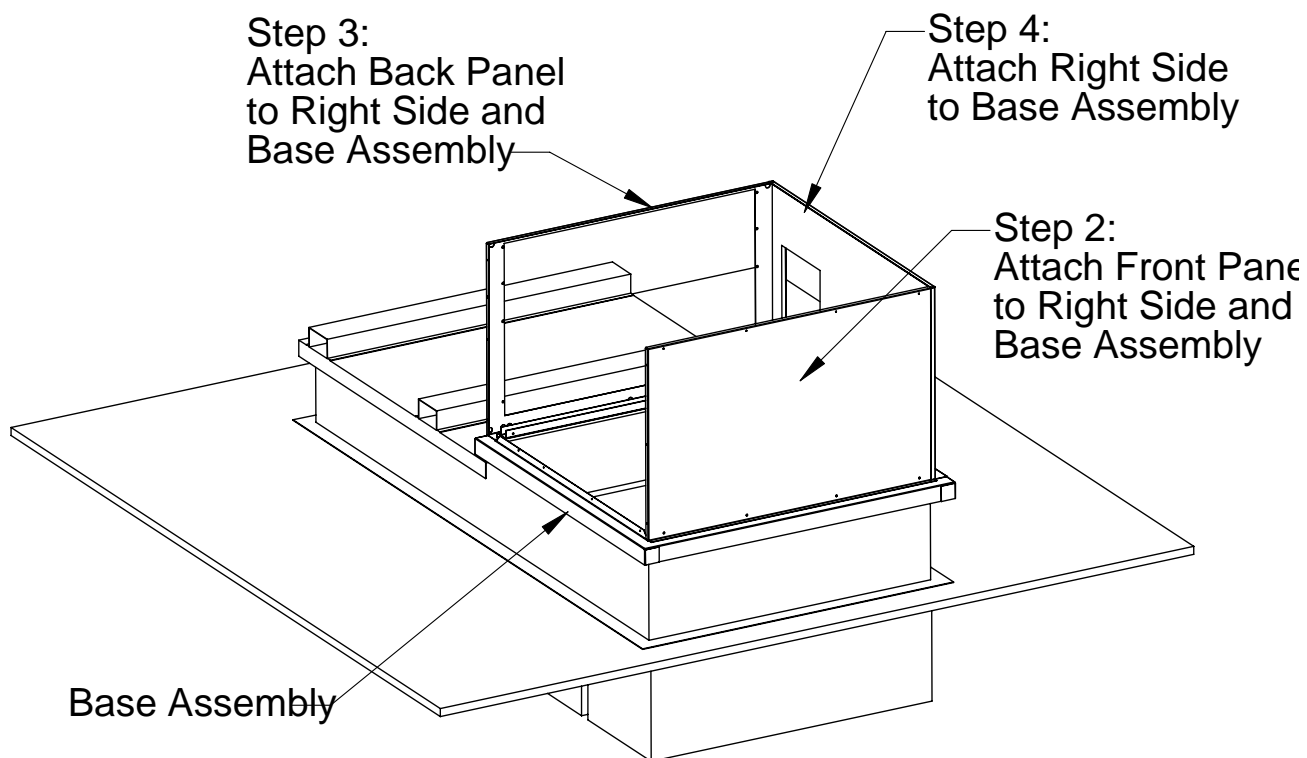
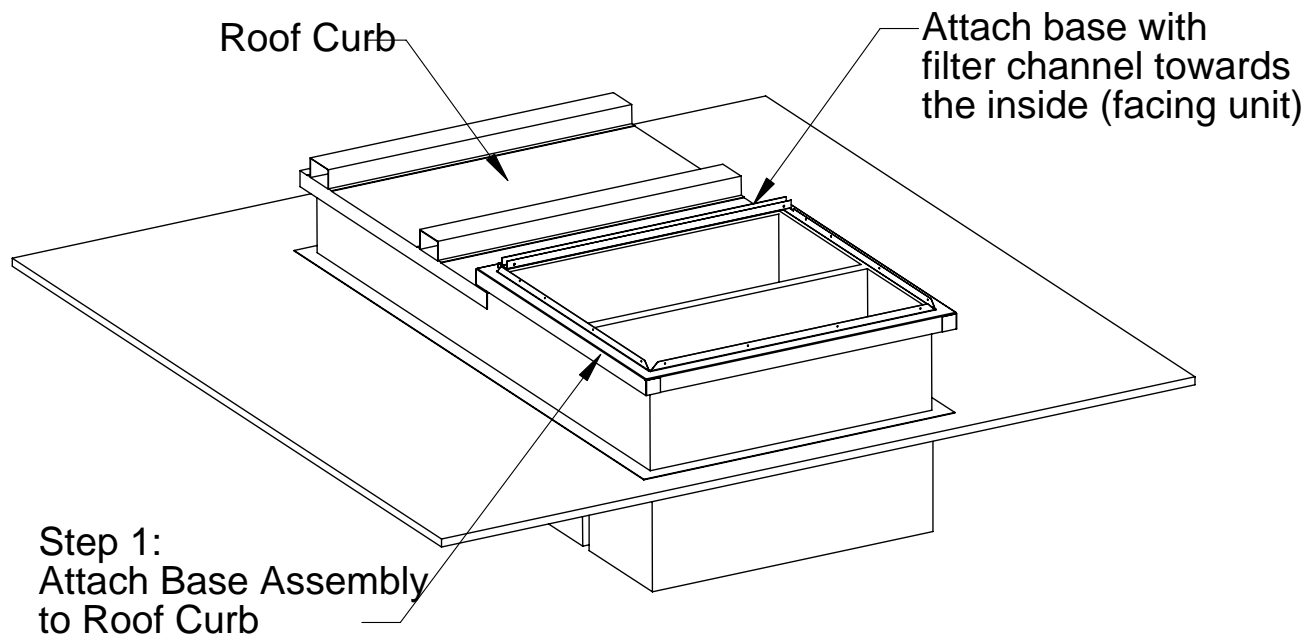


FIGURE 2
REMOVING SCREWS



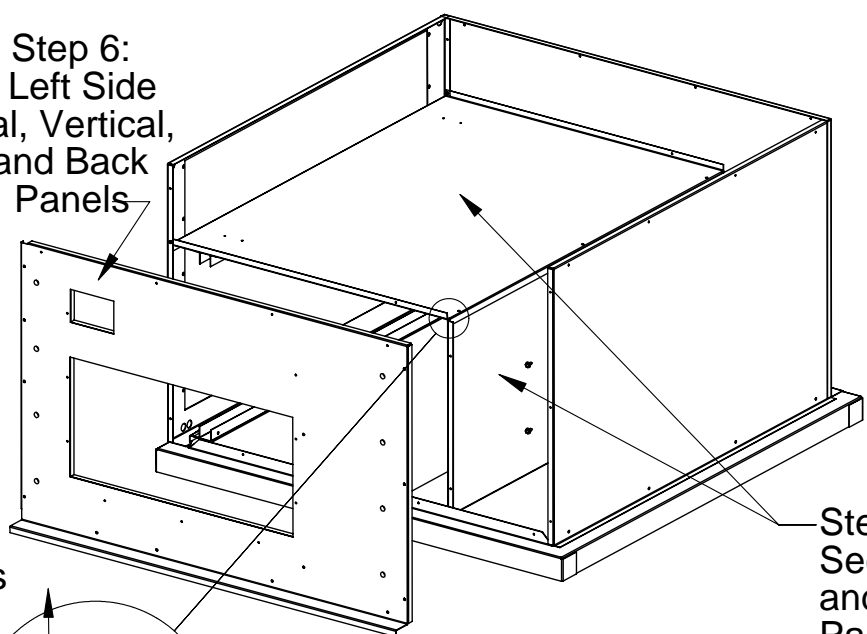
MIS-2176

Note: Do this before proceeding with Step 1.



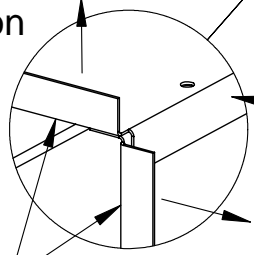
MIS-1864 A

Step 6:
Attach Left Side
to Horizontal, Vertical,
Front, and Back
Panels



Step 5:
Secure Vertical
and Horizontal
Partitions to
Right Side and
Back Panel
(see detail)

Bend this
direction

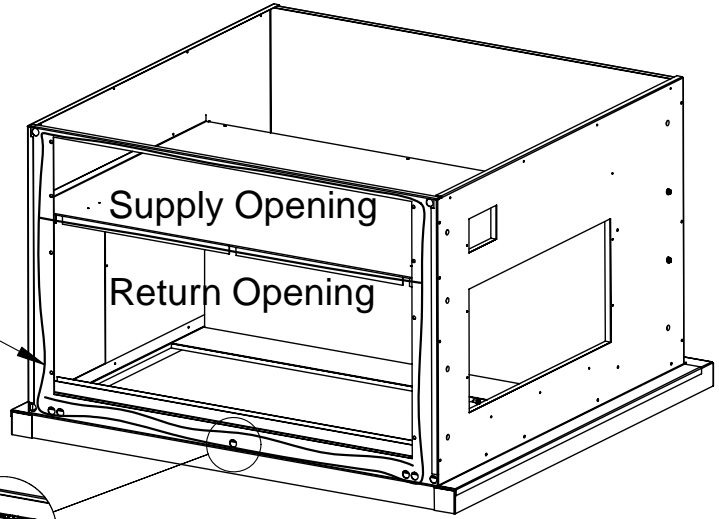


Horiz. partition overlaps

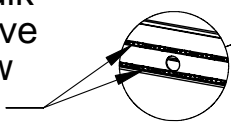
Bend this
direction

Insulation
on inside

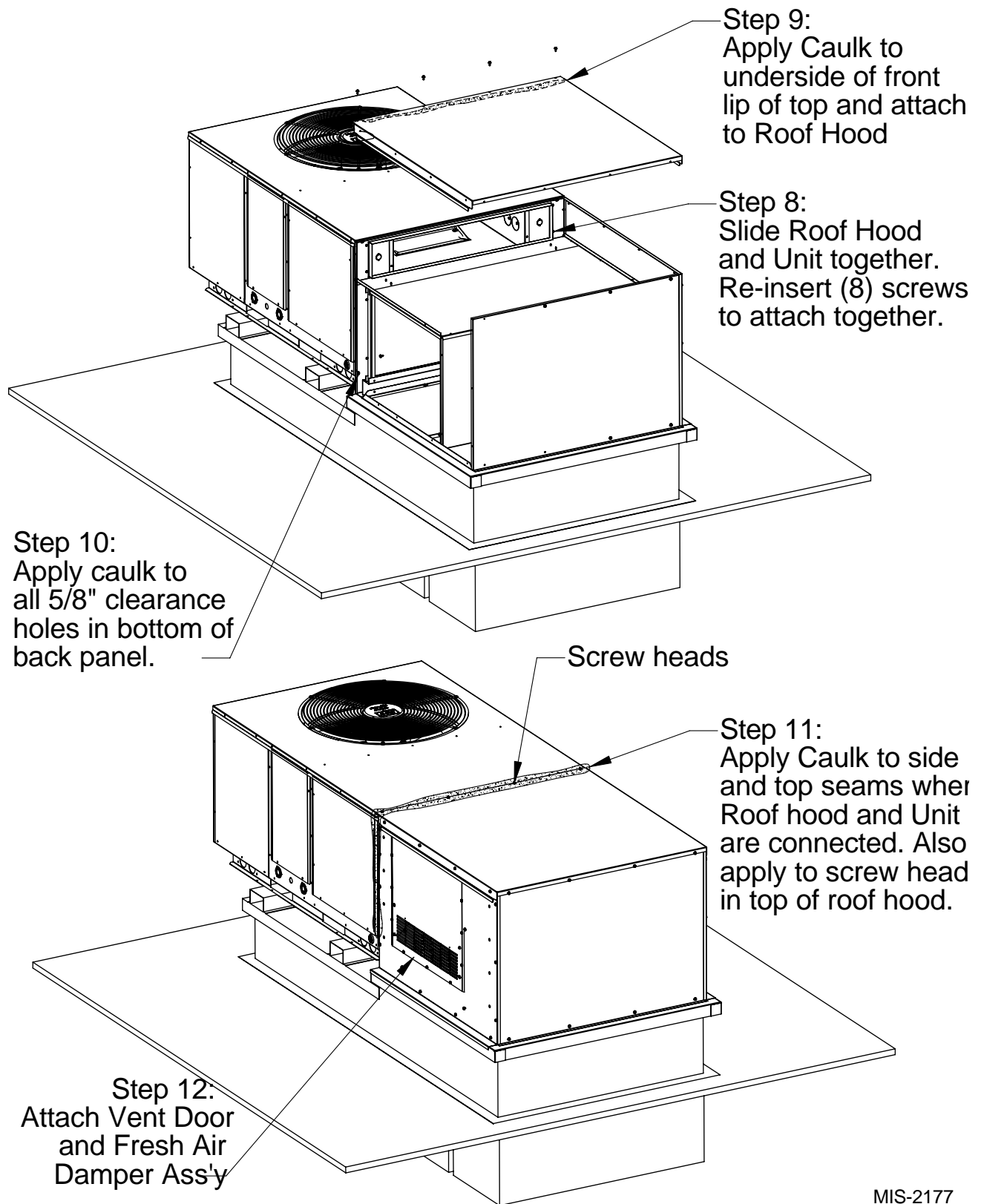
Step 7:
Run a liberal bead
of caulk around supply
and return openings in
back panel. Apply
bead above and below
bottom holes
(see detail).



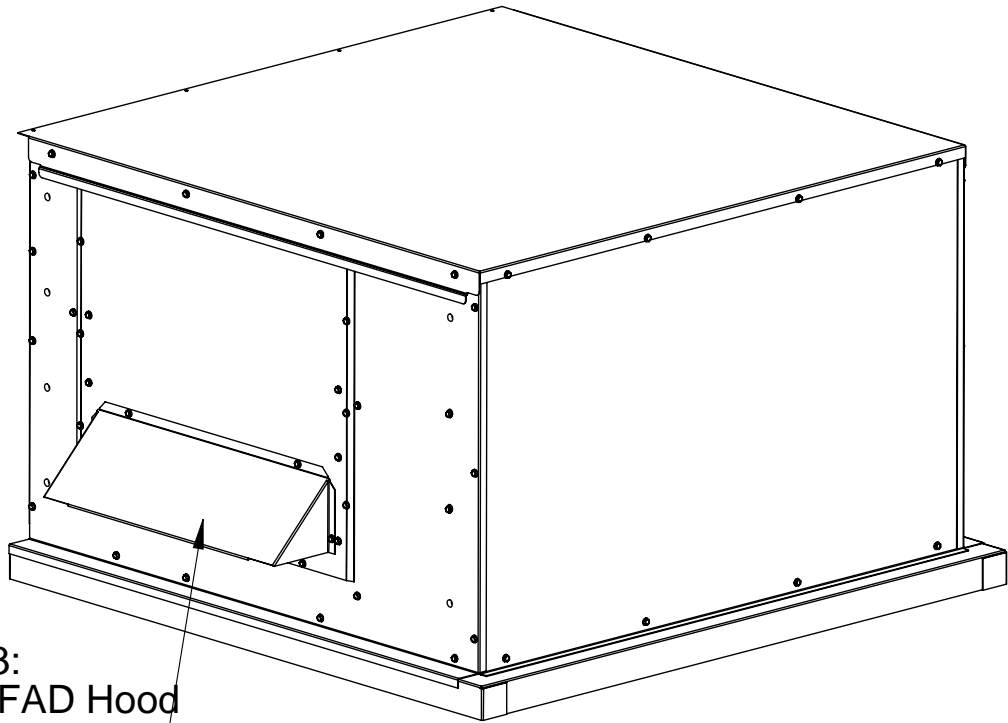
Apply caulk
bead above
and below
holes



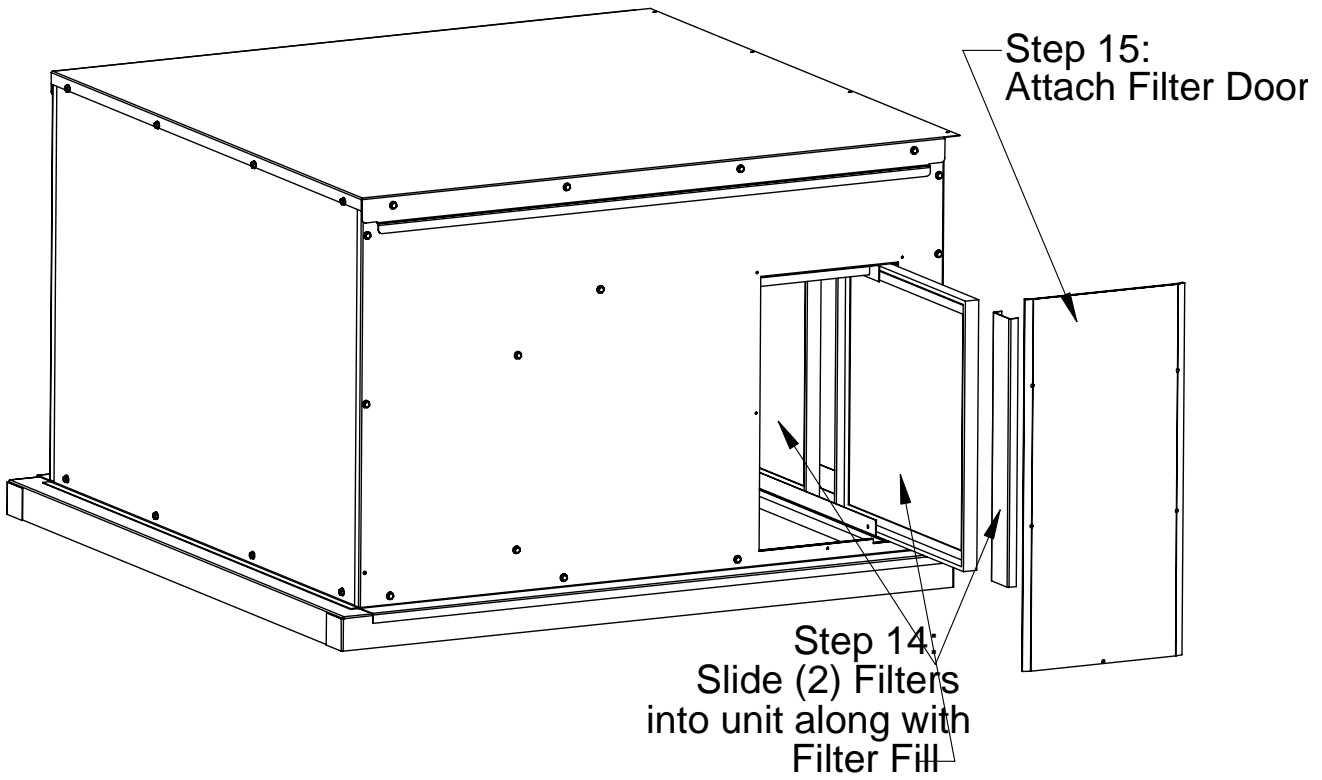
MIS-1865 A



MIS-2177



Step 13:
Attach FAD Hood
to Vent Door



Step 15:
Attach Filter Door

Step 14:
Slide (2) Filters
into unit along with
Filter Fill

MIS-1867 A

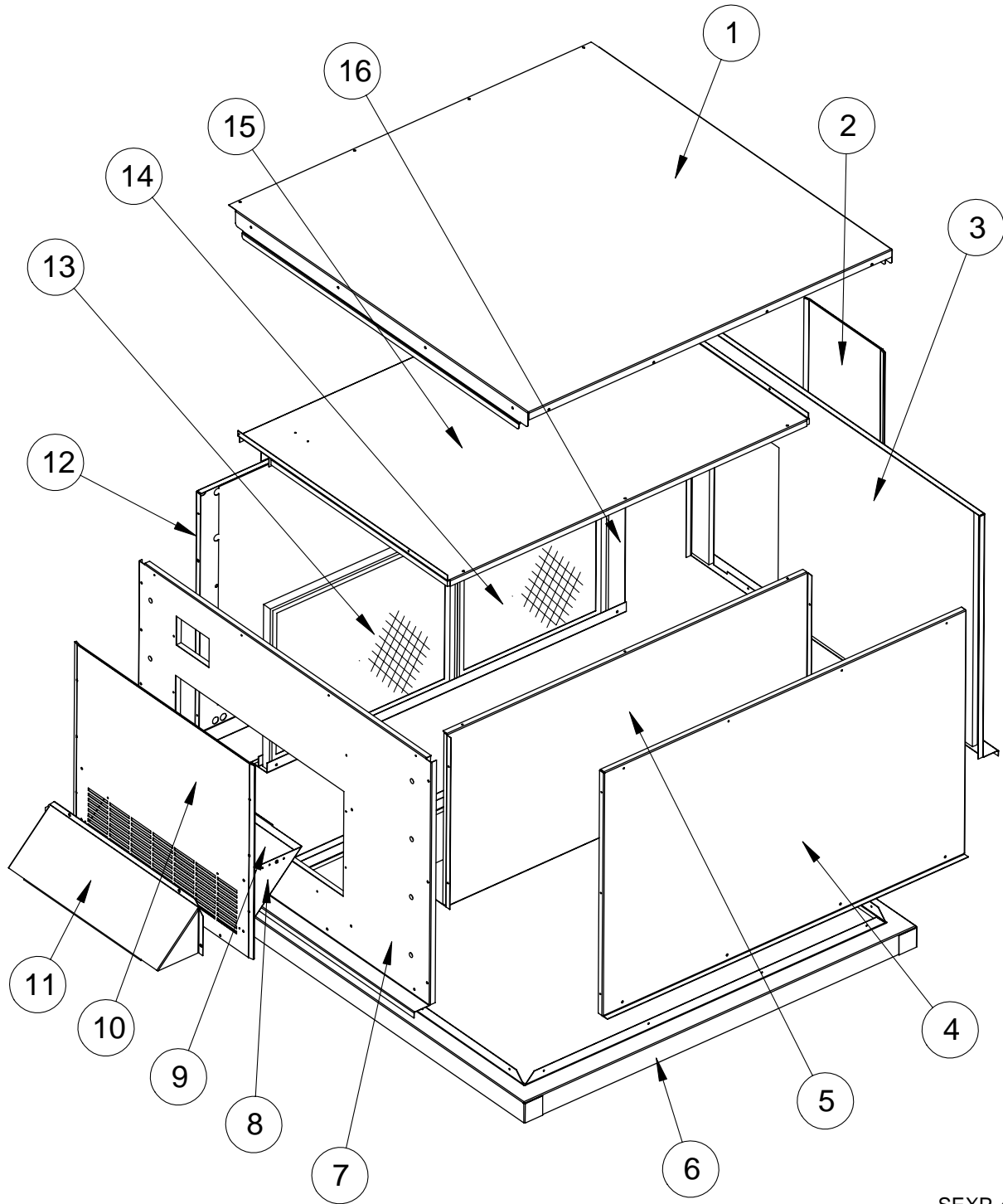
RHP313-A VENTILATION AIR

Supply Air Static	Ventilation Air (CFM)										
	0.00	N/A	N/A	133	183	226	260	283	290	304	320
0.20	N/A	N/A	133	183	226	260	283	290	304	N/A	N/A
0.40	N/A	N/A	133	183	2.26	260	283	290	N/A	N/A	N/A
Return Static	0.00	0.05	0.10	0.15	0.20	0.25	0.30	0.35	0.40	0.45	0.50

RHP513-A BFAD VENTILATION AIR

Supply Air Static	Ventilation Air (CFM)										
	0.00	N/A	N/A	80	165	215	250	280	310	340	370
0.20	N/A	N/A	80	165	215	250	280	310	340	370	400
0.40	N/A	N/A	80	165	215	250	280	310	340	370	400
Return Static	0.00	0.05	0.10	0.15	0.20	0.25	0.30	0.35	0.40	0.45	0.50

ROOF HOOD ASSEMBLY



SEXP-420

ROOF HOOD ASSEMBLY

Drawing No.	Part No.	Description	RHP313-A	RHP513-A
1	507-235-X	Top	X	
1	507-236-X	Top		X
2	553-367-X	Filter Door	X	
2	553-372-X	Filter Door		X
3	501-484-X	Right Side	X	
3	501-486-X	Right Side		X
4	515-147-X	Front	X	
4	515-148-X	Front		X
5	521-405	Vertical Partition	X	
5	521-407	Vertical Partition		X
6	S127-334-X	Base Assembly	X	
6	S127-336-X	Base Assembly		X
7	501-485-X	Left Side	X	
7	501-487-X	Left Side		X
8	S538-177	Wrapper	X	X
9	S138-178	Damper Blade	X	X
10	553-366-X	Vent Door	X	
10	553-371-X	Vent Door		X
11	139-176-X	Vent Hood	X	X
12	109-197	Back	X	
12	108-198	Back		X
13	7004-010	Filter	X	2
14	7004-009	Filter	X	
15	S521-404	Horizontal Partition	X	
15	S521-406	Horizontal Partition		X
16	164-507	End Filter Seal	X	X