

# SUPPLEMENTAL INSTRUCTIONS

## WMICF3A-\* Isolation Curb

The WMICF3A-\* is an accessory item intended to lower the interior sound level when applied with a Bard wall-mount air conditioner or heat pump. This is accomplished by isolating the vibrations created by the mechanical devices of the wall mount operation using rubber isolation mounts to prevent the energy from transferring into the wall of the structure that it is mounted on. (This will be more beneficial on wood or steel frame structures in eliminating the drumming effect of the wall than on masonry structures.)

**This accessory maintains existing supply-to-return spacing for the applied wall-mounted unit and it is not intended for use with wall openings not aligned with the existing supply-to-return spacing.**

\* Denotes Color

X = Beige  
 4 = Buckeye Gray  
 5 = Desert Brown  
 8 = Dark Bronze

**Table 1  
 WMICF3A-\* Applications**

Bard Model	Non-Ducted Applications	Approved for Ducted Applications <sup>①</sup>
W30AB W36AB W30LB W36LB W30HB W36HB W24G4 <sup>②</sup> W30G4 <sup>②</sup> W36G4 <sup>②</sup> T24H1 T30H1 T30S1	Yes	Yes

<sup>①</sup> Refer to specific wall-mount model instructions for proper application of blower speed and maximum duct static limitations.

<sup>②</sup> Curb must use matching replacement top adapter for WG use.



Bard Manufacturing Company, Inc.  
 Bryan, Ohio 43506  
 www.bardhvac.com

Manual: 7960-564E  
 Supersedes: 7960-564D  
 Date: 6-16-21

## Installation

### Adding to Existing Installation

1. Disconnect the electrical entrance and thermostat wires.
2. Disconnect the duct work as required.
3. Supporting the unit, remove the mechanical fasteners retaining the wall-mount unit to the structure, then lower the unit and move it off to the side for re-installation later.
4. Continue with **New Installation**.

### New Installation

1. Frame wall structure in accordance with these instructions (see Figures 1, 2 and 3).
2. Uncarton WMICF3A-\* assembly.
3. Separate inner and outer curb sections (see Figure 4 on page 6, #1 and #2) by removing four (4) 12mm bolts and lock washers from the inner curb sides (see Figure 4, #3 and #4).
4. On the inner curb section, locate the side stamped "TL" indicating Top Left (see Figure 4, #5).
5. On the rear of the attachment flange, apply a liberal amount of silicone caulk to weather seal the inner curb frame to the structure (see Figures 1 and 4).
6. Place inner curb section onto structure aligning (centering) the supply and return air openings, driving fasteners into framework. If adding to existing installation, these holes will line up with fasteners removed from previous installation.  
**Ensure that the curb is square when bolted to the structure (measure corner to corner).**

recommended that these bolts be started by hand to prevent cross threading.

**NOTE:** A clamp or pliers will likely need to be used to compress the rear gasket at the top of the assembly to align the bolt holes. It is necessary for this seal to be under compression so that when the wall-mount unit is installed, adequate weather sealing is maintained.

9. Raise the unit to the curb with a suitable lift and engage the top of the unit to the curb first by slightly tipping the unit toward the curb.
10. Engage nuts and washers (supplied) loosely to the top two (2) bolts in the curb to help keep the top of the unit in position.
11. Pivot the unit down to engage the remainder of the bolts and fasten securely to the curb with nuts and washers (supplied) (see Figure 4).
12. Apply a liberal amount of caulk across the seam between the unit top and the top of the curb. Apply caulk also between the inner curb frame and the rear seal of the outer curb frame all the way across the top and 2" down each side (see Figure 1).
13. Connect electrical entrance and thermostat wires to the unit making sure that they are secured in a flexible conduit (liquid tight). *The use of rigid conduit is not recommended as it could cancel the effects of the vibration isolators inclusive with this accessory.*
14. Connect duct work per standard practice.

**NOTE:** Refer to the wall-mount unit instructions for maximum allowable duct design statics.

## WARNING

**Fire hazard.**

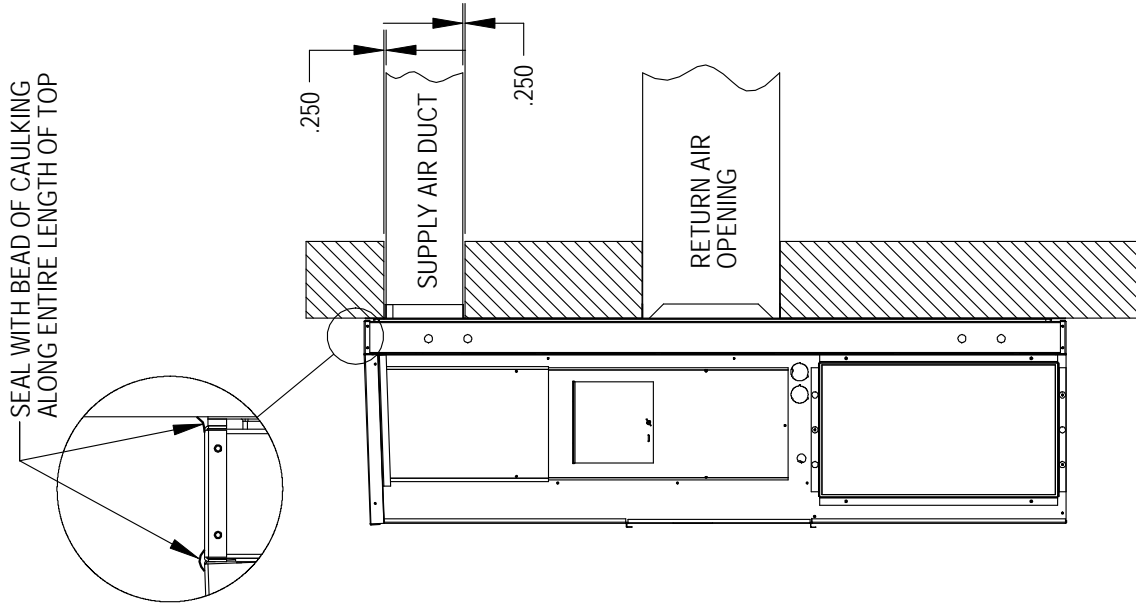
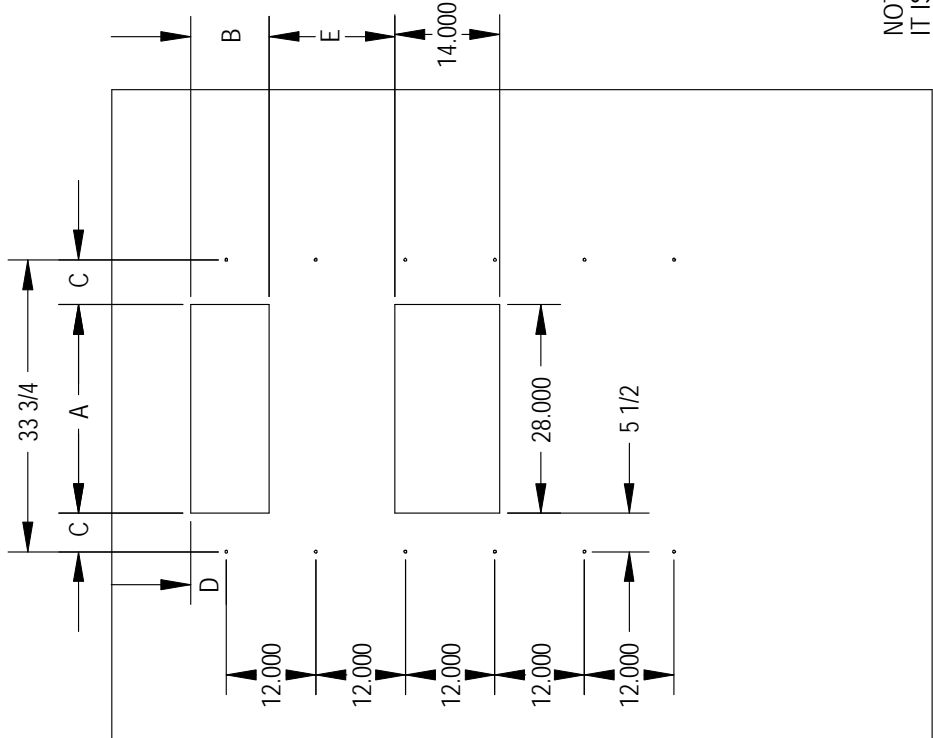
**Maintain minimum 1/4" spacing to combustibles for the first 3' of the supply air duct as listed on the unit nameplate.**

**Failure to do so could result in fire causing damage, injury or death.**

7. Take outer curb assembly and locate the seam in the flex seal. Orient this seam so that it is on the bottom, setting the outer curb over the inner curb (see Figure 4, #2).
8. Using the four (4) 12mm bolts and lock washers removed in Step 3, reattach the outer curb to the inner curb (see Figure 4, #1, #2, #3 and #4). It is

**FIGURE 1**

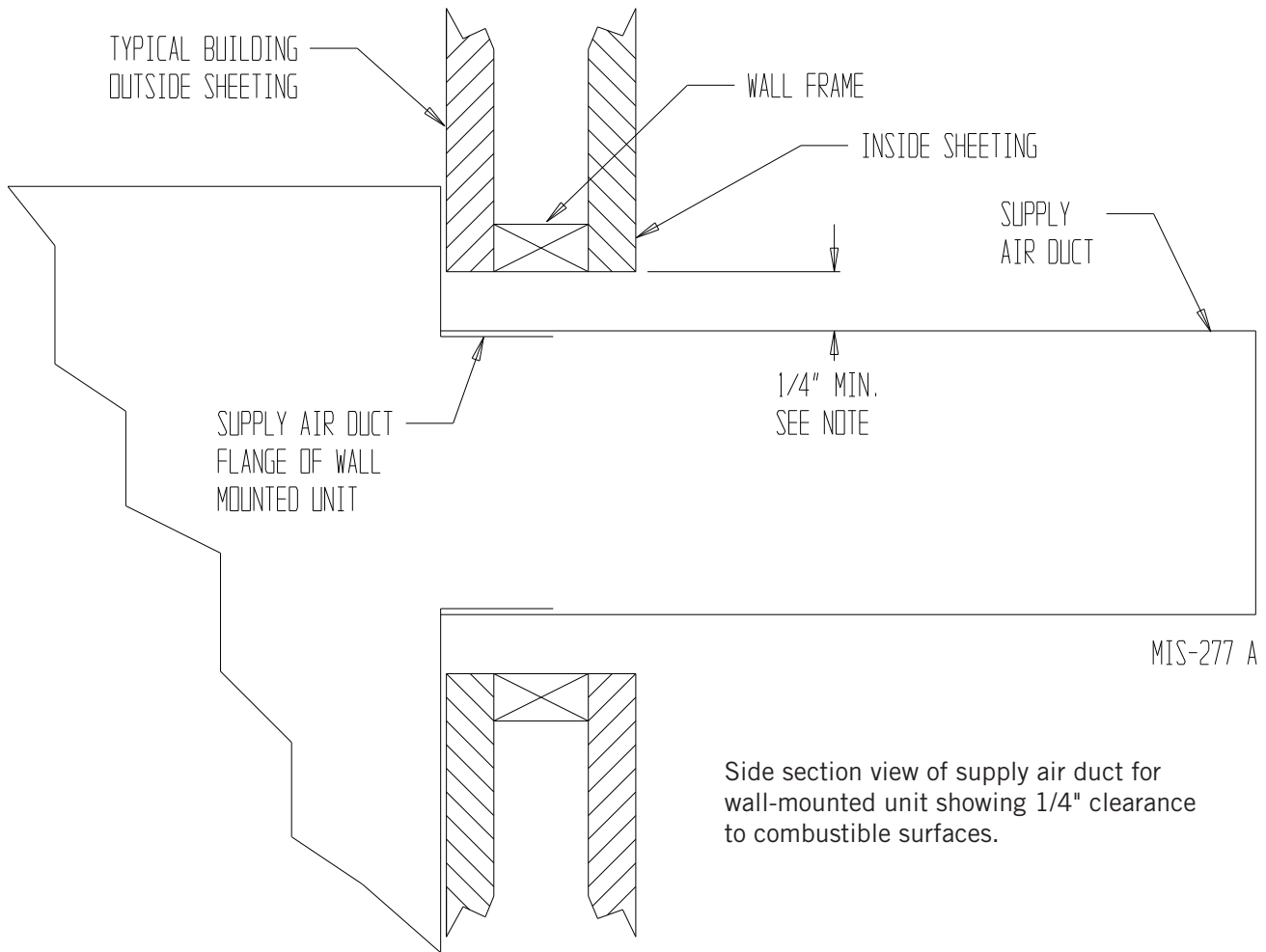
	A	B	C	D	E *
REQUIRED DIMS. TO MAINTAIN 1/4" MIN. CLEARANCE FROM COMBUSTIBLE MATERIALS	28 1/2"	8 1/2"	5 1/4"	3 13/16"	17 5/8"
REQUIRED DIMS. TO MAINTAIN 1" MIN. CLEARANCE FROM COMBUSTIBLE MATERIALS	30"	10"	4 1/2"	4 9/16"	16 7/8"



NOTE:  
IT IS RECOMMENDED THAT A BEAD OF SILICONE  
CAULKING BE PLACED BEHIND THE INNER CURB  
MOUNTING FLANGES AT TIME OF INSTALLATION

MIS-2440

**FIGURE 2**  
**Electric Heat Clearance**



Side section view of supply air duct for wall-mounted unit showing 1/4" clearance to combustible surfaces.

## **WARNING**

**Fire hazard.**

**A minimum of 1/4" clearance must be maintained between the supply air duct and combustible materials. This is required for the first 3' of ducting.**

**It is important to ensure that the 1/4" minimum spacing is maintained at all points.**

**Failure to do so could result in overheating the combustible material which may result in a fire causing damage, injury or death.**

**FIGURE 3**  
Wall Framing

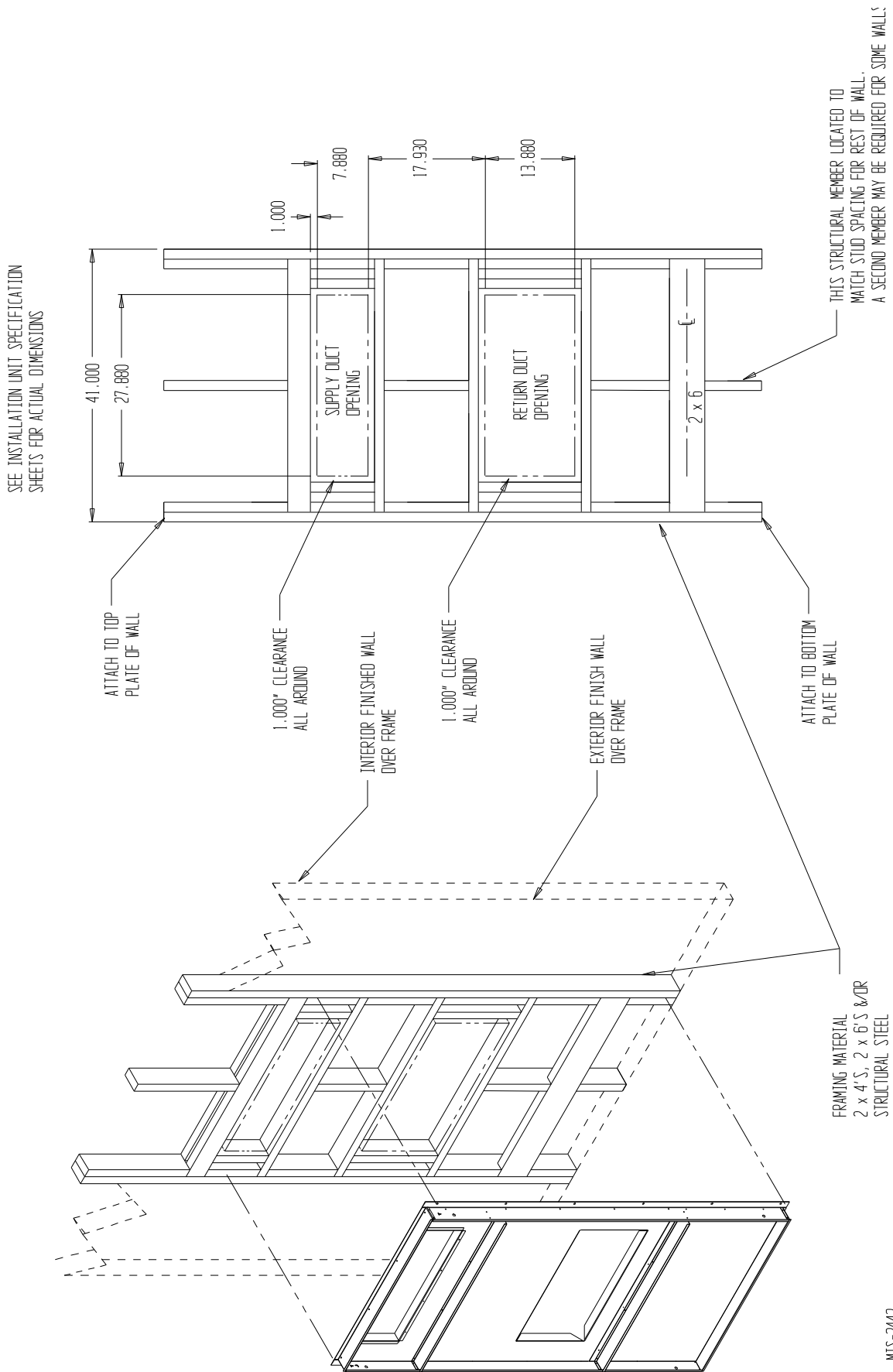
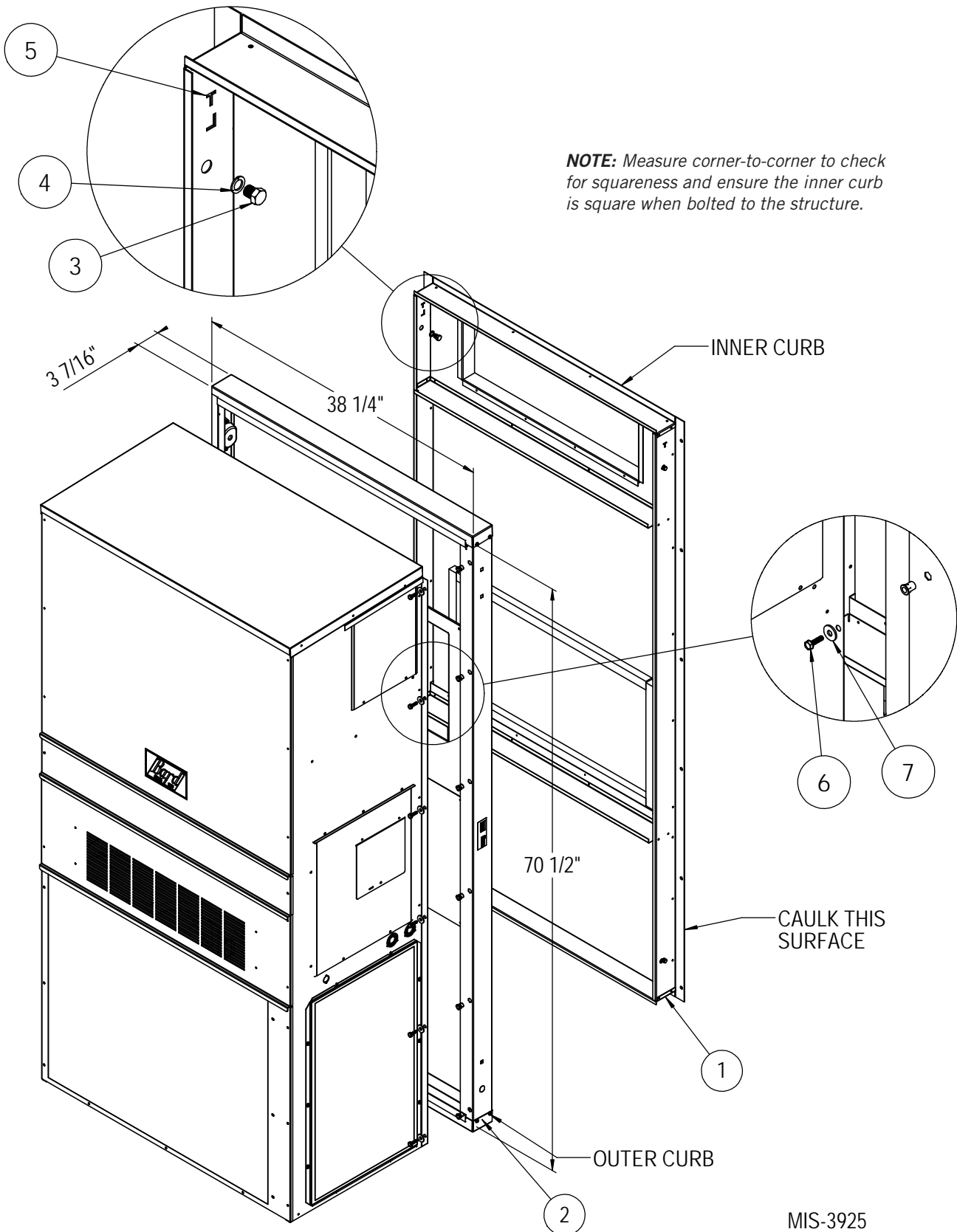


FIGURE 4



MIS-3925