

---

# SUPPLEMENTAL INSTRUCTIONS

---

## WMICF2A-\* Isolation Curb

---

The WMICF2A-\* is an accessory item intended to lower the interior sound level when applied with a Bard wall-mount air conditioner or heat pump. This is accomplished by isolating the vibrations created by the mechanical devices of the wall mount operation using rubber isolation mounts to prevent the energy from transferring into the wall of the structure that it is mounted on. (This will be more beneficial on wood or steel frame structures in eliminating the drumming effect of the wall than on masonry structures.)

**This accessory maintains existing supply-to-return spacing for the applied wall-mounted unit and it is not intended for use with wall openings not aligned with the existing supply-to-return spacing.**

Refer to Table 1 for application.

\* Denotes Color  
X = Beige  
1 = White  
4 = Gray  
5 = Desert Brown  
8 = Dark Bronze

**Table 1  
WMICF2A-\* Applications**

Bard Model	Non-Ducted Applications	Approved for Ducted Applications <sup>Ⓣ</sup>
W18A* W24A* W18L* W24L* W18H* W24H*	Yes	Yes

<sup>Ⓣ</sup> Refer to specific wall-mount model instructions for proper application of blower speed and maximum duct static limitations.



Bard Manufacturing Company, Inc.  
Bryan, Ohio 43506  
www.bardhvac.com

Manual: 7960-565G  
Supersedes: 7960-565F  
Date: 4-24-24

## Installation

### Adding to Existing Installation

1. Disconnect the electrical entrance and thermostat wires.
2. Disconnect the duct work as required.
3. Supporting the unit, remove the mechanical fasteners retaining the wall-mount unit to the structure, then lower the unit and move it off to the side for re-installation later.
4. Continue with **New Installation**.

### New Installation

1. Frame wall structure in accordance with these instructions (see Figures 1 and 2).
2. Uncarton WMICF2A-\* assembly.
3. Separate inner and outer curb sections (see Figure 3 on page 5, #1 and #2) by removing four (4) 12mm bolts and lock washers from the inner curb sides (see Figure 3, #3 and #4).
4. On the inner curb section, locate the side stamped "TL" indicating Top Left (see Figure 3, #5).
5. On the rear of the attachment flange, apply a liberal amount of silicone caulk to weather seal the inner curb frame to the structure (see Figures 1 and 3).
6. Place inner curb section onto structure aligning (centering) the supply and return air openings, driving fasteners into framework. If adding to existing installation, these holes will line up with fasteners removed from previous installation.  
**Ensure that the curb is square when bolted to the structure (measure corner to corner).**
7. Take outer curb assembly and locate the seam in the flex seal. Orient this seam so that it is on the bottom, setting the outer curb over the inner curb (see Figure 3, #2).
8. Using the four (4) 12mm bolts and lock washers removed in Step 3, reattach the outer curb to the inner curb (see Figure 3, #1, #2, #3 and #4). It is recommended that these bolts be started by hand to prevent cross threading.

**NOTE:** A clamp or pliers will likely need to be used to compress the rear gasket at the top of the assembly to align the bolt holes. It is necessary for this seal to be under compression so that when the wall-mount unit is installed, adequate weather sealing is maintained.

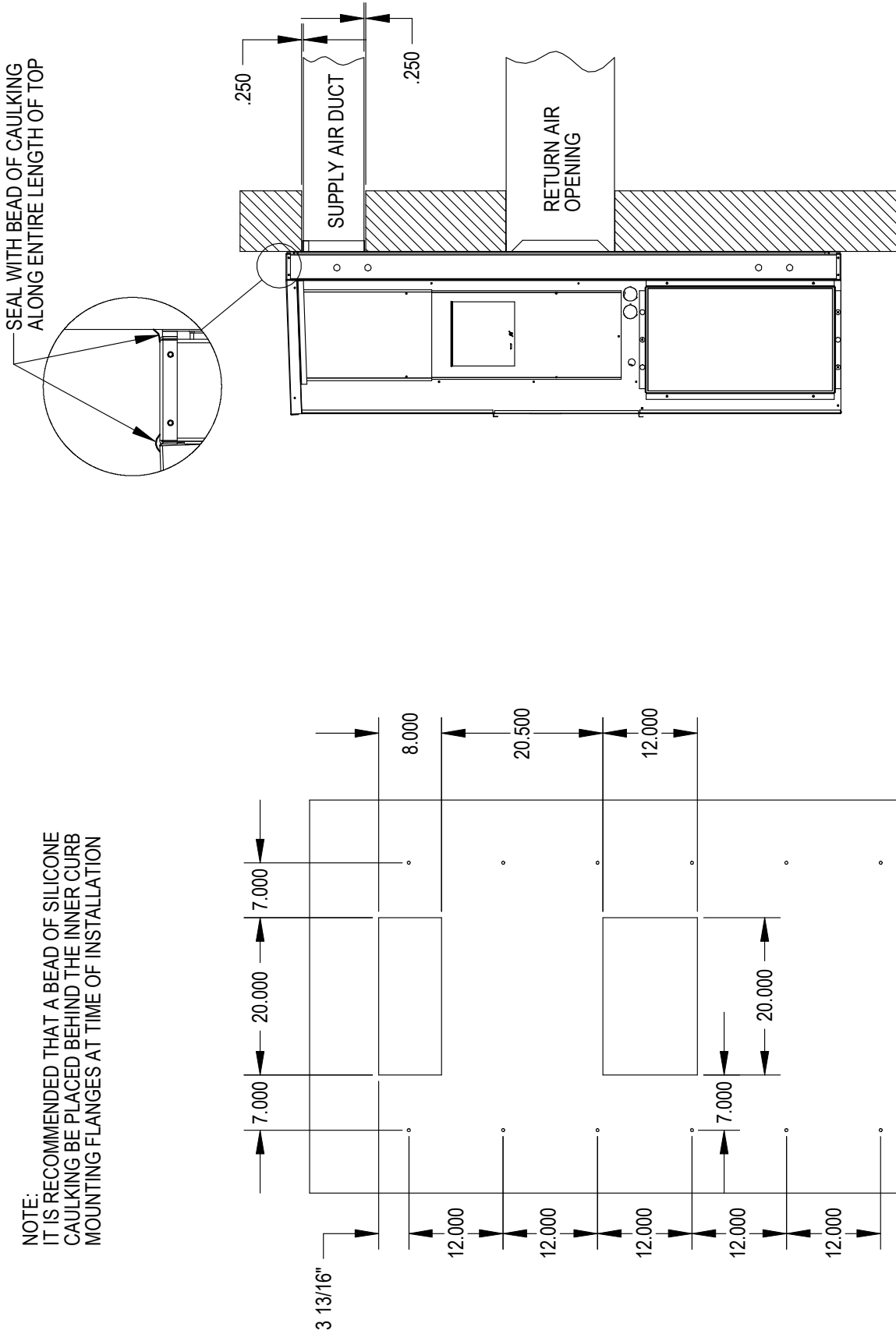
9. Raise the unit to the curb with a suitable lift and engage the top of the unit to the curb first by slightly tipping the unit toward the curb.
10. Engage nuts and washers (supplied) loosely to the top two (2) bolts in the curb to help keep the top of the unit in position.

11. Pivot the unit down to engage the remainder of the bolts and fasten securely to the curb with nuts and washers (supplied) (see Figure 4).
12. Apply a liberal amount of caulk across the seam between the unit top and the top of the curb. Apply caulk also between the inner curb frame and the rear seal of the outer curb frame all the way across the top and 2" down each side (see Figure 1).
13. Connect electrical entrance and thermostat wires to the unit making sure that they are secured in a flexible conduit (liquid tight). **The use of rigid conduit is not recommended as it could cancel the effects of the vibration isolators inclusive with this accessory.**
14. Connect duct work per standard practice.

**NOTE:** Refer to the wall-mount unit instructions for maximum allowable duct design statics.

**FIGURE 1**

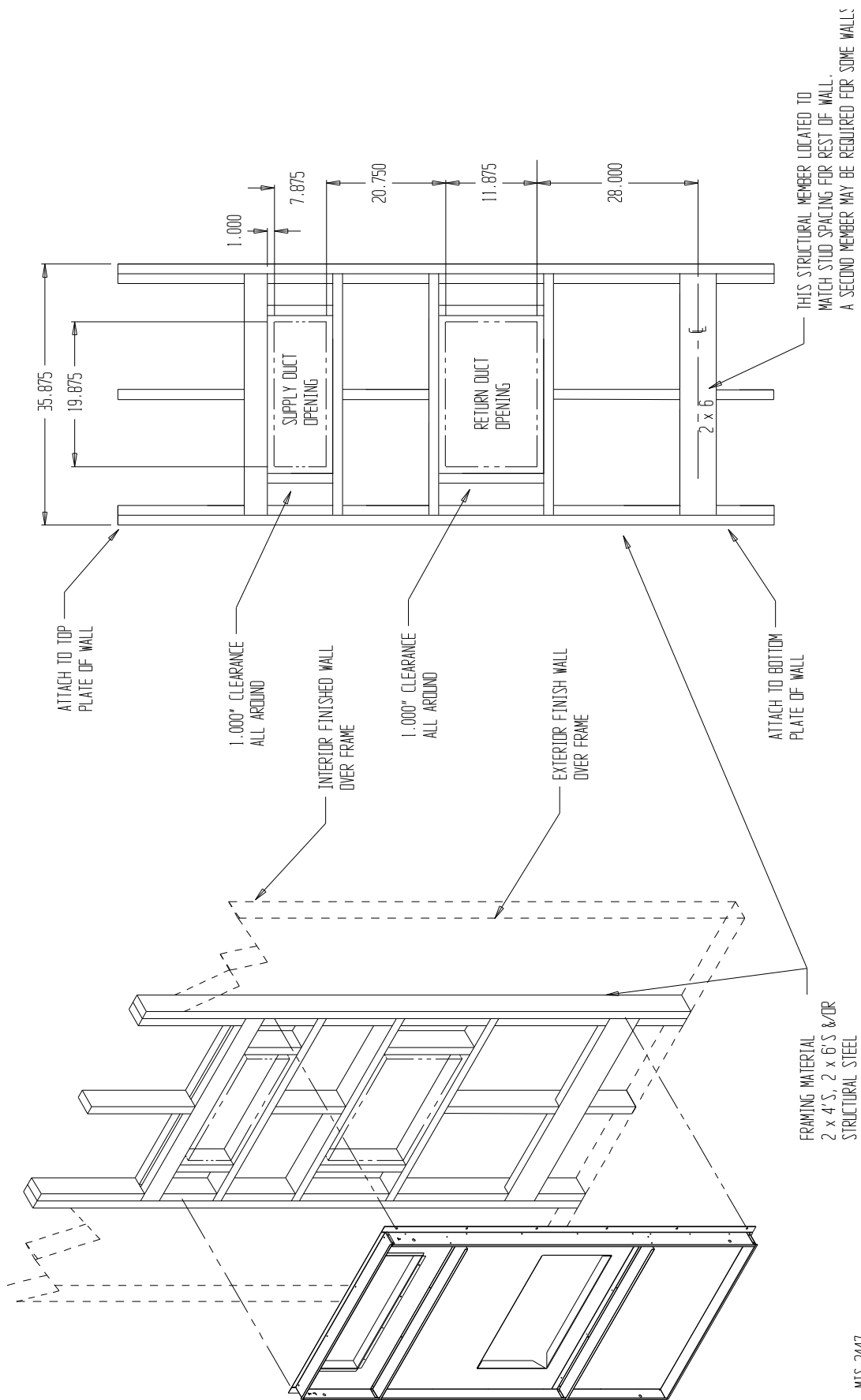
NOTE:  
IT IS RECOMMENDED THAT A BEAD OF SILICONE  
CAULKING BE PLACED BEHIND THE INNER CURB  
MOUNTING FLANGES AT TIME OF INSTALLATION



MIS-2445

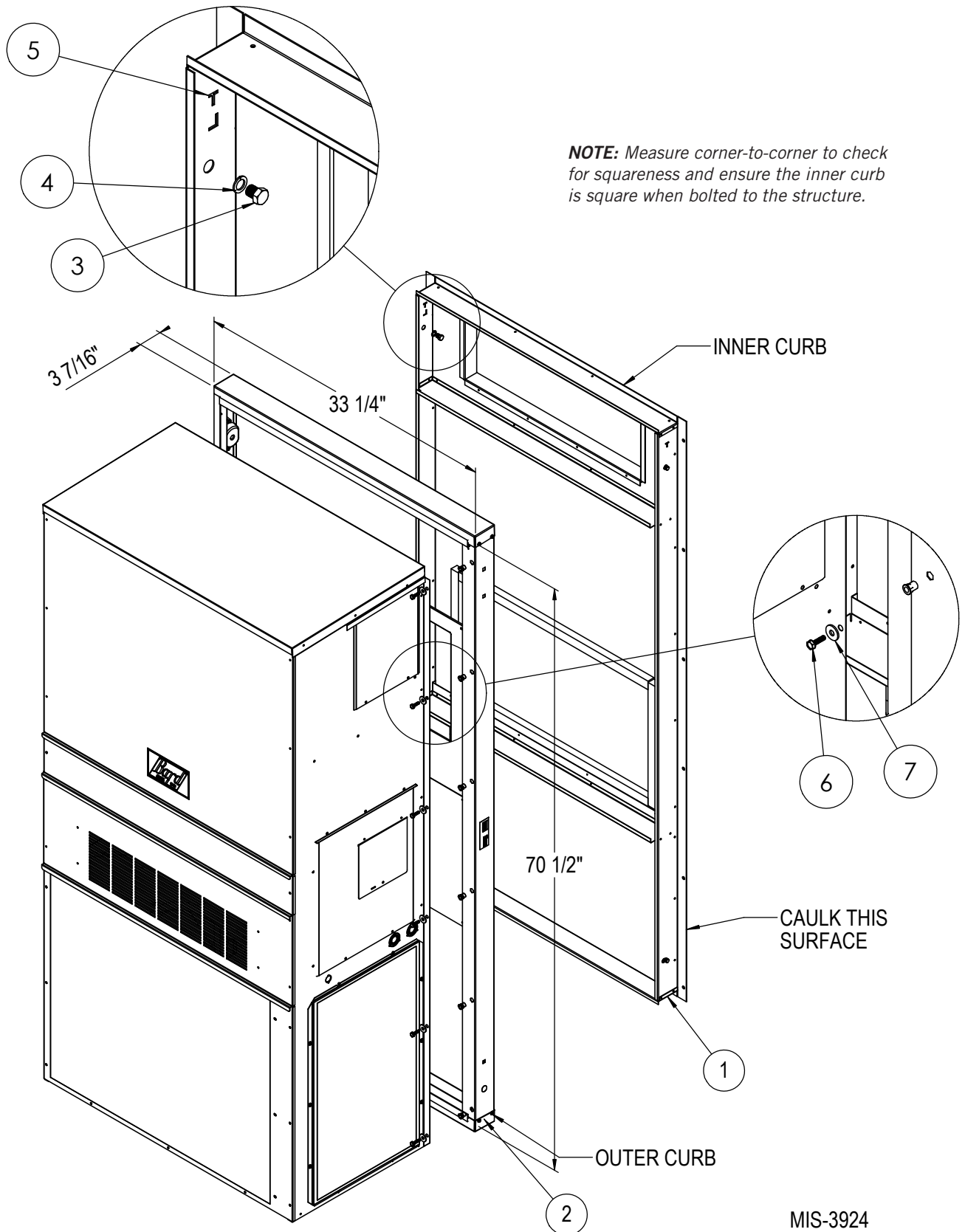
**FIGURE 2**

SEE INSTALLATION UNIT SPECIFICATION SHEETS FOR ACTUAL DIMENSIONS



MTS-2447

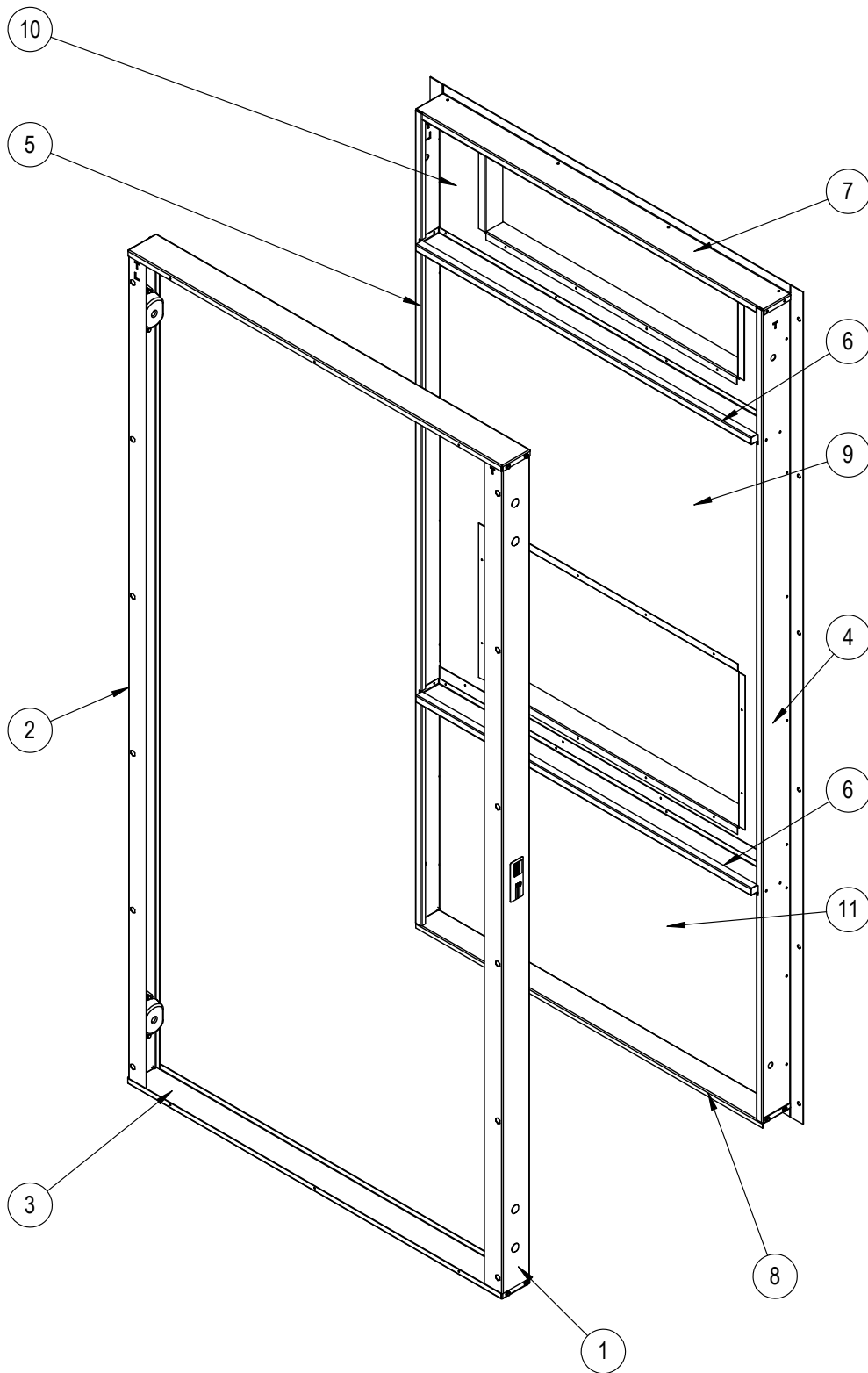
FIGURE 3



**NOTE:** Measure corner-to-corner to check for squareness and ensure the inner curb is square when bolted to the structure.

MIS-3924

# Replacement Parts



SEXP-1118

WMICF2A-\*

<b>Drawing No.</b>	<b>Part Number</b>	<b>Description</b>	
1	501-505-*BX	Outer Right Side	X
2	501-506-*BX	Outer Left Side	X
3	141-339-*BX	Outer Support End	2
4	501-966BX	Inner Right Side	X
5	501-965BX	Inner Left Side	X
6	501-538BX	Partition Assembly	2
7	541-459BX	Inner Top	X
8	141-459BX	Inner Bottom	X
9	509-378BX	Back (One Piece Back)	X
NS	1012-324	Lock Washer	4
NS	1012-323	Isolation Bolt	4

\* X - Beige, 1 - White, 4 - Gray, 5 - Desert Brown, 8 - Dark Bronze

NS - Not Shown