
SUPPLEMENTAL INSTRUCTIONS

CMC-30 Dirty Filter Switch Kit

The purpose of the CMC-30 kit is to allow the addition of a dirty filter switch to the TH, TS and CH wall mount products.

- Switch is normally open (NO), close on activation (when flag drops into window) 1.5A @ 24V.
- Could also be used to activate a light or audible alarm if desired as a trigger relay to another appropriate relay for load.

The CMC-30 kit consists of a field-installable sensor for use with DDC control systems. The CMC-30 includes:

- Installation instructions
- Miscellaneous components including a switch bracket, shield, wires, bushing and terminal strip
- Dirty filter switch with normally open (NO) contacts

Installation

1. Disconnect all power to wall mount before installing sensors.
2. Remove inner and outer control panel covers. Remove electric heater access panel. Remove service panel and blower access panel.
3. Assemble dirty filter switch to fit the unit (see Figure 1 (page 2) or Figure 2 (page 3). Note right-hand or left-hand unit configuration.
4. Install the filter switch assembly (see Figure 3 (page 4) or Figure 4 (page 5).
5. Route the filter switch wires into the control panel.
6. Attach wires to the terminal board according to Figure 5 on page 6.
7. Carefully push wires into the low voltage box and install terminal board.
8. Attach terminal board label to terminal board.
9. Attach "CMC-30" label and wiring diagram to the inner control panel cover above the unit wiring diagrams.
10. Make low voltage connections from the DDC controller or thermostat to the terminal board (see Figure 6 on page 6).
11. Install the blower access cover, control panel covers and heater access panel.
12. Apply power to unit.
13. Turn the unit blower on.
14. Restrict the filter of the unit by 75%.
15. Adjust the filter switch until it trips.
16. Remove restriction and reset filter switch.
17. Install the service panel.



Bard Manufacturing Company, Inc.
Bryan, Ohio 43506
www.bardhvac.com

Manual: 7960-649A
Supersedes: 7960-649
Date: 10-2-20

FIGURE 1
T24H – T30H, T24S – T30S, C24H – C30H Models

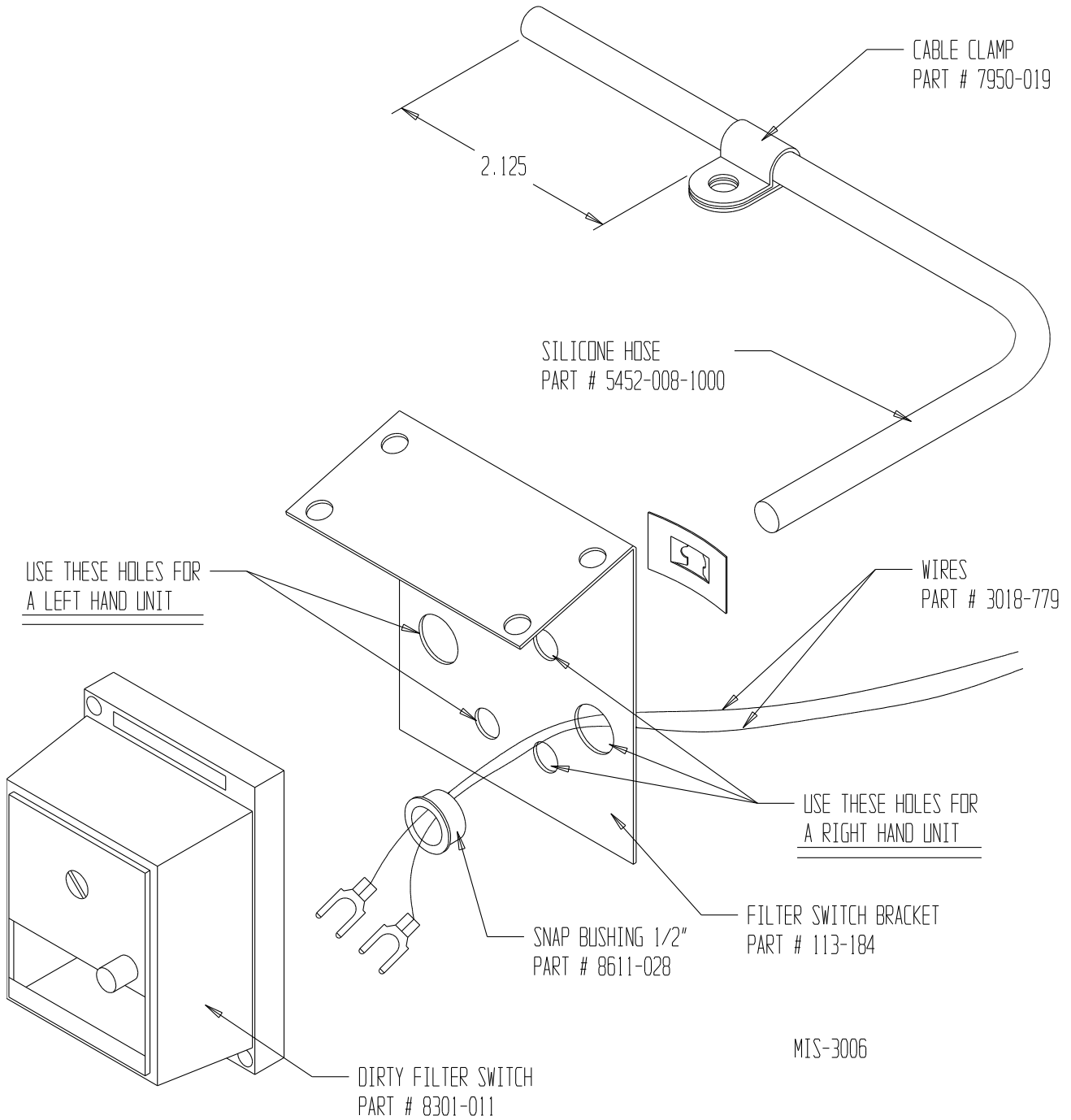


FIGURE 2
T36H – T60H, T36S – T60S, C36H – C60H Models

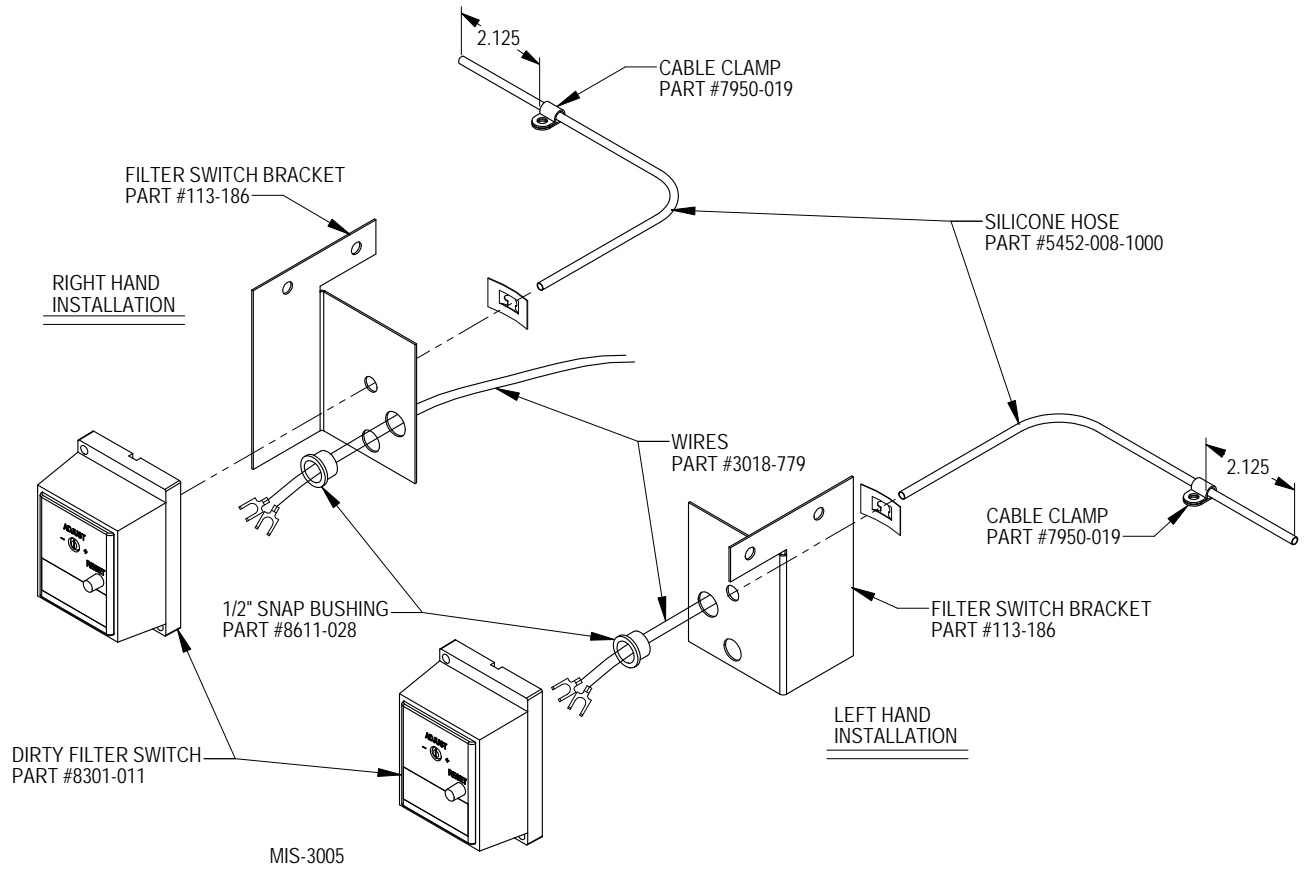


FIGURE 3
T24H – T30H, T24S – T30S, C24H – C30H Models

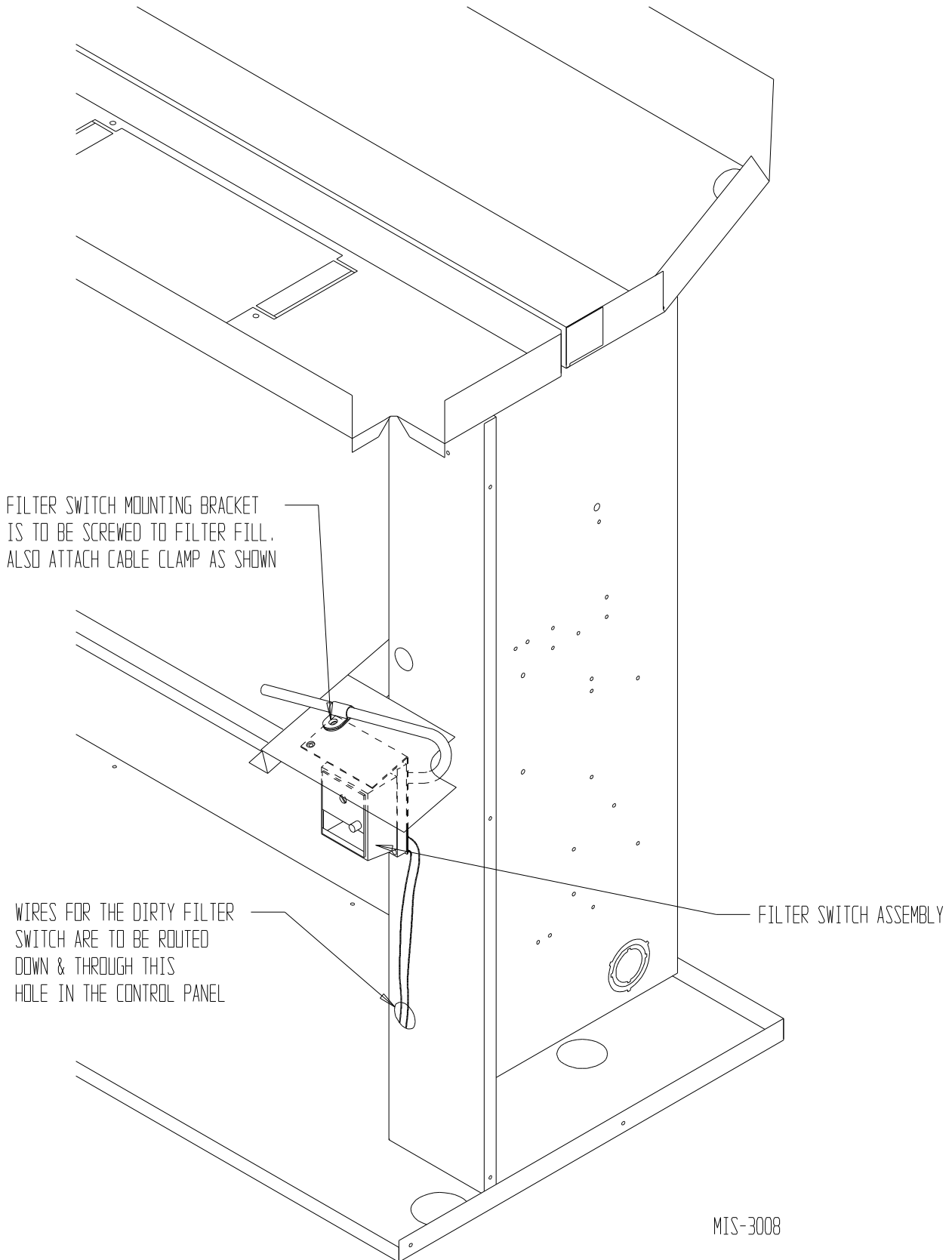
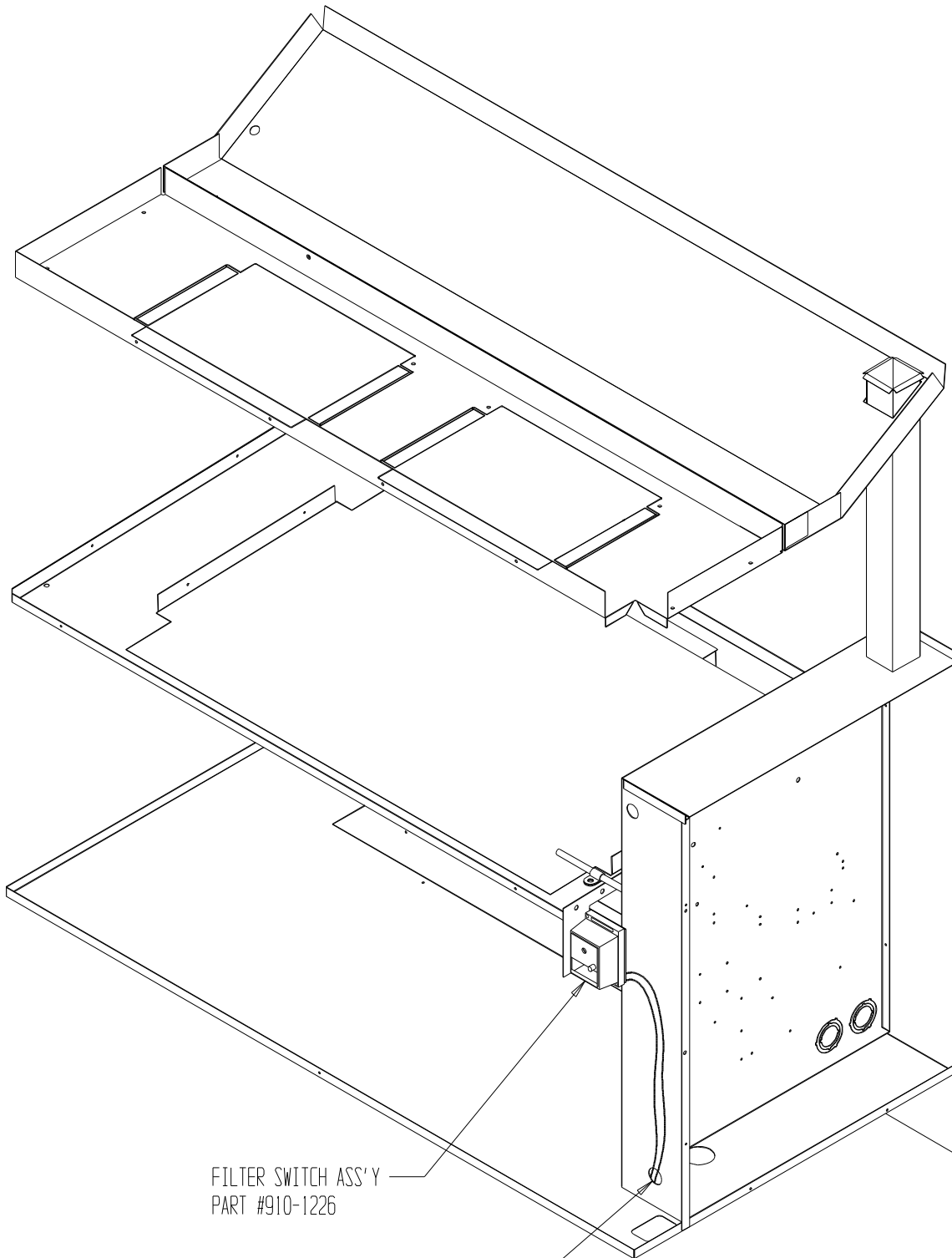


FIGURE 4
T36H – T60H, T36S – T60S, C36H – C60H Models

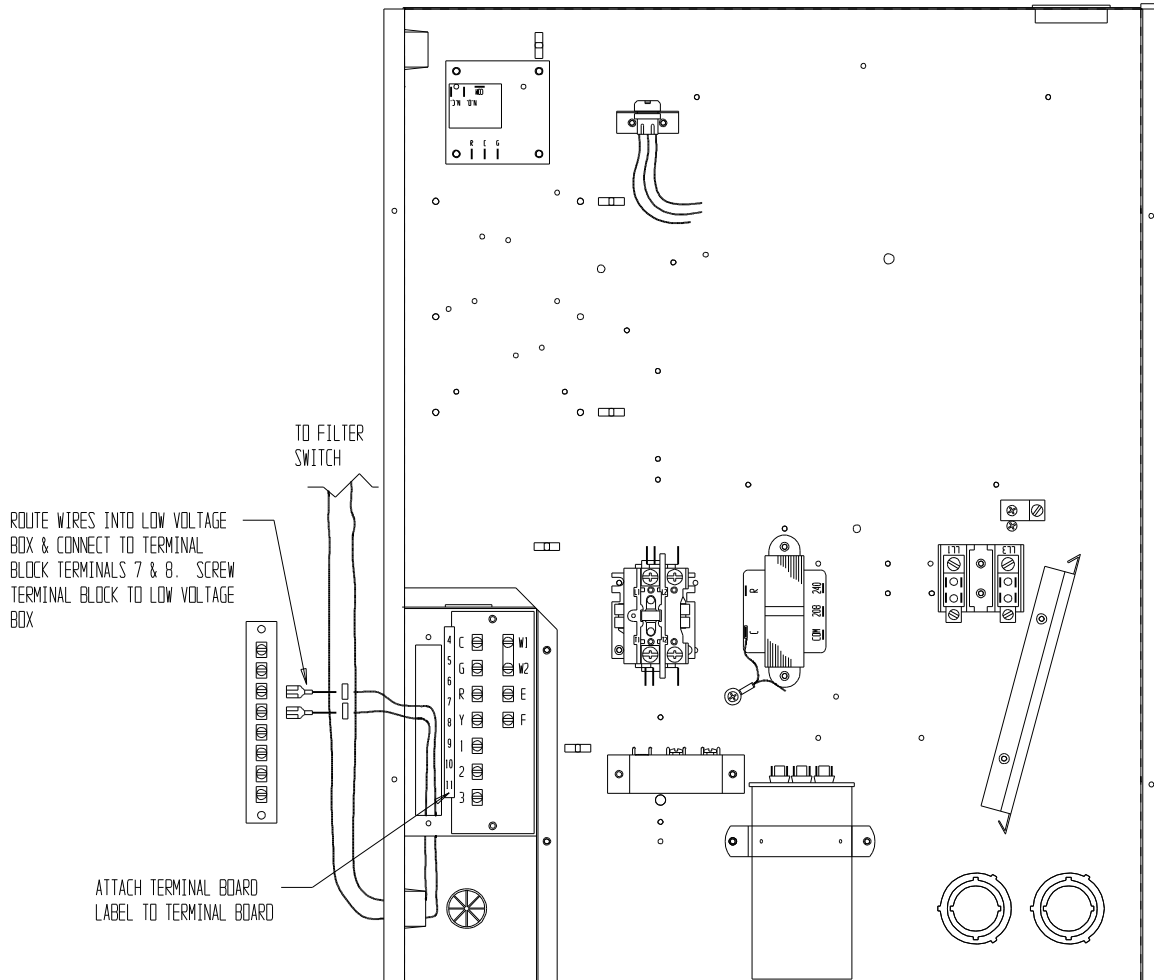


FILTER SWITCH ASS'Y
PART #910-1226

WIRES FOR THE DIRTY FILTER SWITCH
ARE TO BE ROUTED DOWN & THROUGH
THIS HOLE IN THE CONTROL PANEL

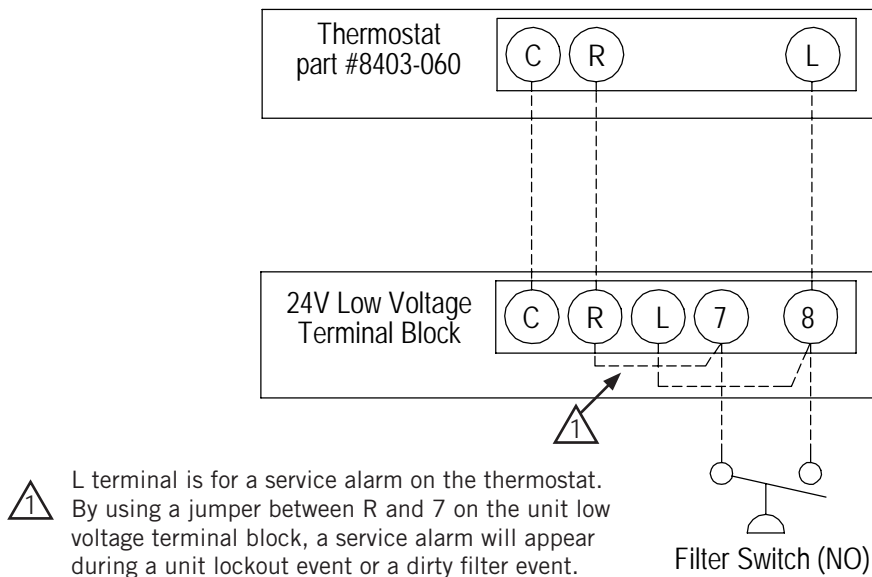
MIS-3007

FIGURE 5



MIS-3015

FIGURE 6



MIS-4211