
SUPPLEMENTAL INSTRUCTIONS

Riser Platform with Trim Kit IRPZA-3 (3" Riser) IRPZA-6 (6" Riser)

The IRPZA Series Riser Platform Kits are designed for sleeve opening heights of 37" maximum (IRPZA-3) and 40" maximum (IRPZA-6) when installing the IZ Series heat pump.

Kit Contents

- One (1) base plate with rails and side supports
- One (1) front trim piece
- One (1) left side trim piece
- One (1) right side trim piece
- One (1) parts bag with following contents:
 - Four (4) 5/16" bolts (Bard P/N 1012-090)
 - Four (4) 5/16" nuts (Bard P/N 1012-210)
 - Eight (8) flat washers (Bard P/N 1012-109)
 - Four (4) pine tree clips (Bard P/N 8611-128)

Tools and Supplies Needed

The following field-supplied tools will be required for installation of the riser platform kit:

- Two (2) 1/2" wrenches
- One (1) 5/16" socket with ratchet or drill driver
- Six (6) lag bolts (required if mounting base to floor)

INSTALLATION

Before starting installation, unpackage unit and base kit to check for shipping damage. Verify all parts have been shipped with kit and IZ Series heat pump. Locate

rubber mat shipped in drain access area behind vent section; set mat aside for future use.

WARNING

This unit is heavy and requires more than one person to handle during installation and removal from the skid. Extreme caution must be taken to prevent injury to personnel and damage to the unit. Use appropriate safety equipment, including gloves, when handling. Failure to do so may result in serious injury.

NOTICE

The I-TEC product features several locations for product securement but all site conditions are different. Consult with a licensed Seismic Engineer to advise of particular needs when attaching the I-TEC unit to the structure.



Climate Control Solutions

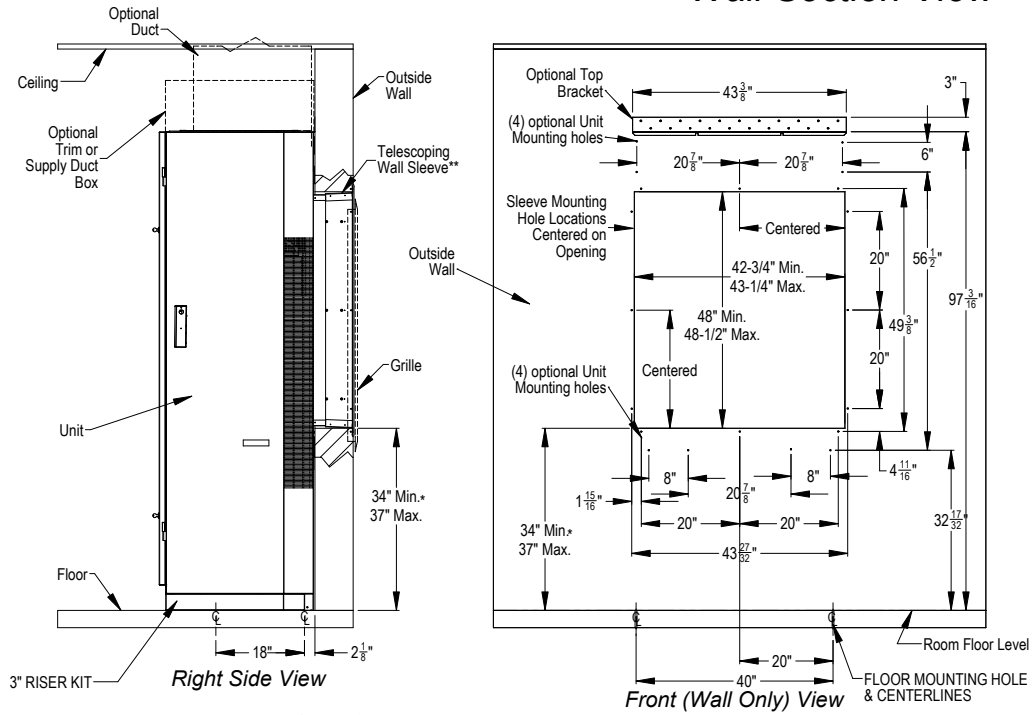
Bard Manufacturing Company, Inc.
Bryan, Ohio 43506
www.bardhvac.com

Manual: 7960-692A
Supersedes: 7960-692
Date: 6-29-17

Install sleeve following all procedures and steps provided in sleeve instruction manual. Refer to Figures 1 and 2 for wall opening dimensions when using riser kit.

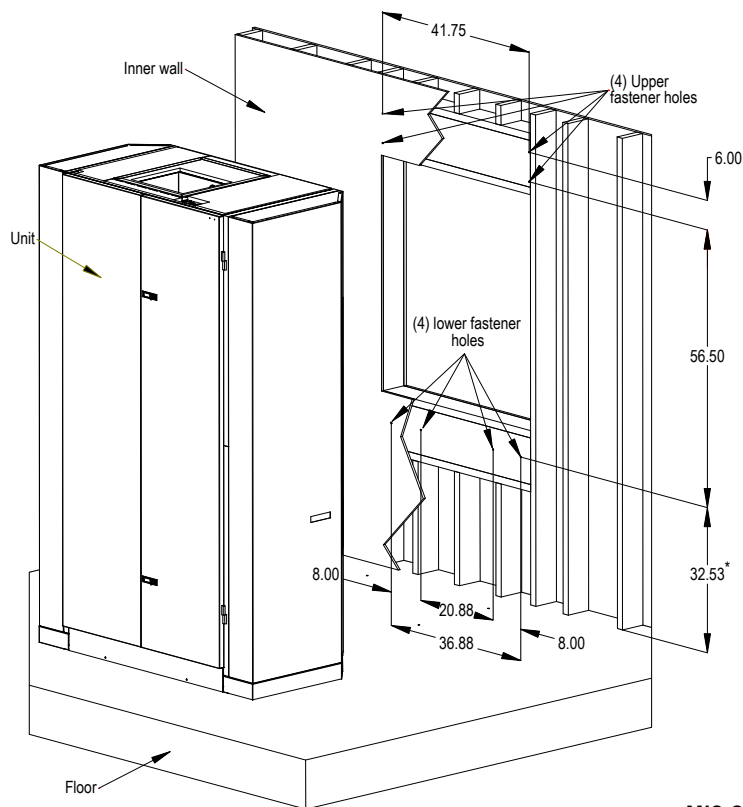
Figure 1

Wall Section View



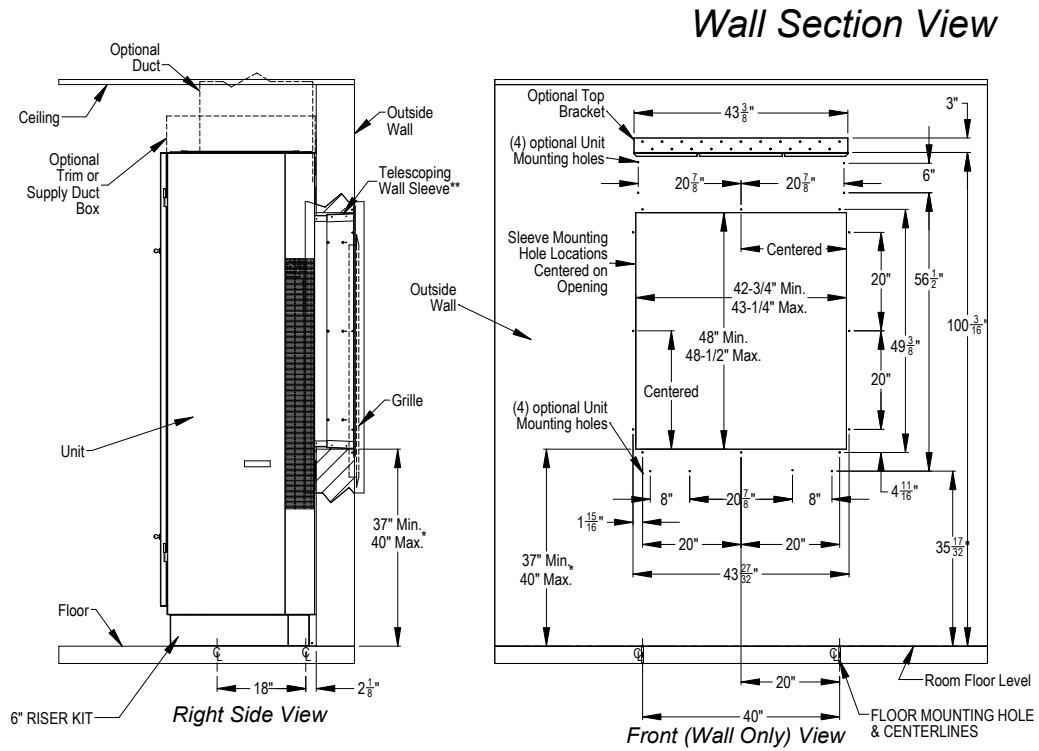
* Higher Sill Heights Achievable With Base Kit.
 ** Separate telescoping sleeves available for different wall thicknesses.

MIS-3241

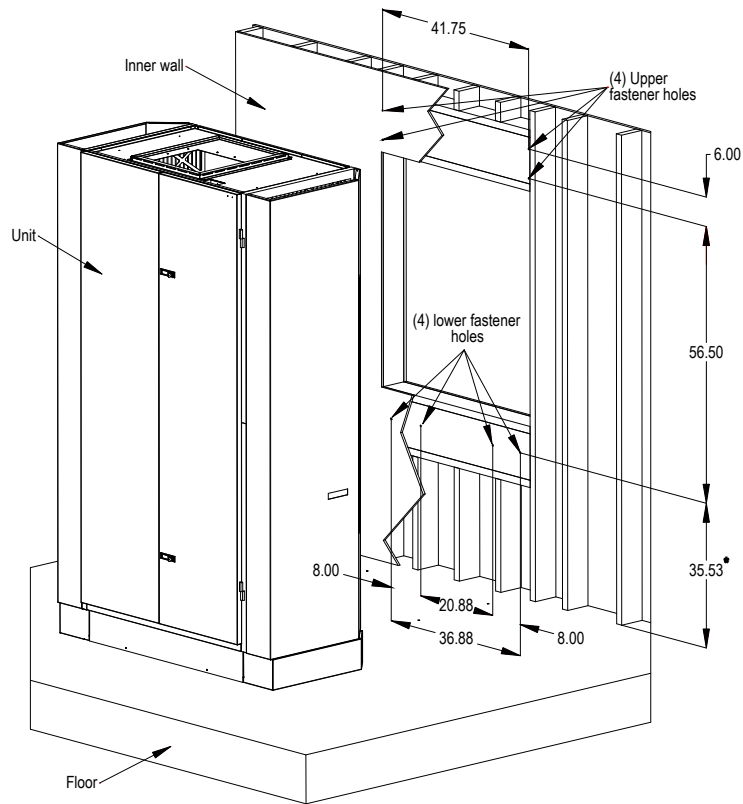


MIS-3245

Figure 2



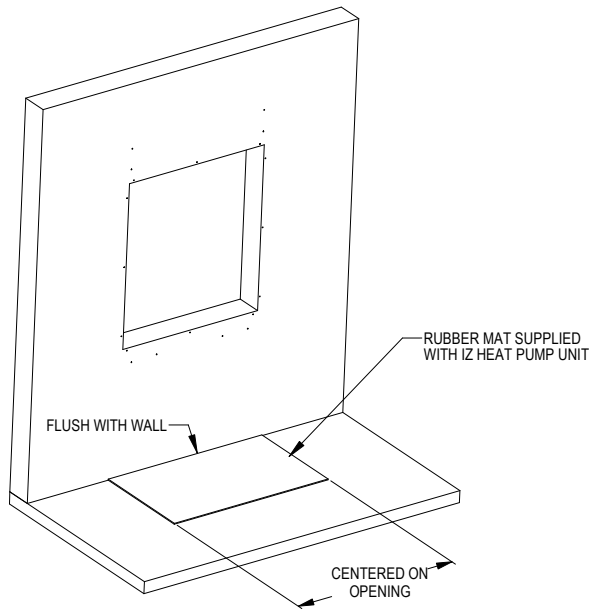
MIS-3246



MIS-3247

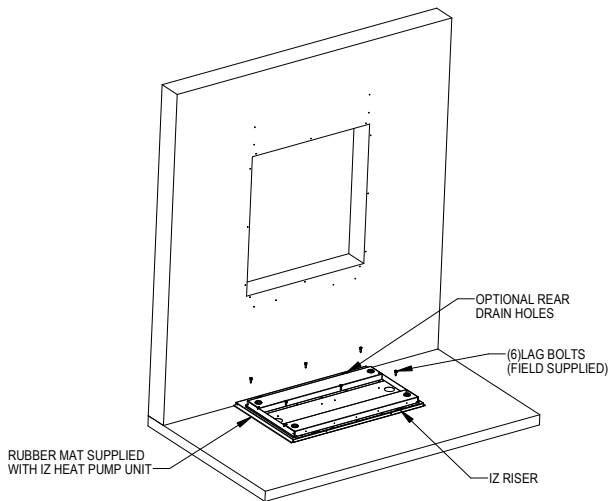
Use rubber mat provided with IZ Series heat pump and place in center/front of wall opening (sleeve flush with wall) as shown in Figure 3. Place riser base on rubber mat with rails up. Optional rear drain holes are adjacent to wall when placed correctly (see Figure 4). Install six (6) field-supplied lag bolts through holes in riser base if required.

Figure 3



MIS-3248

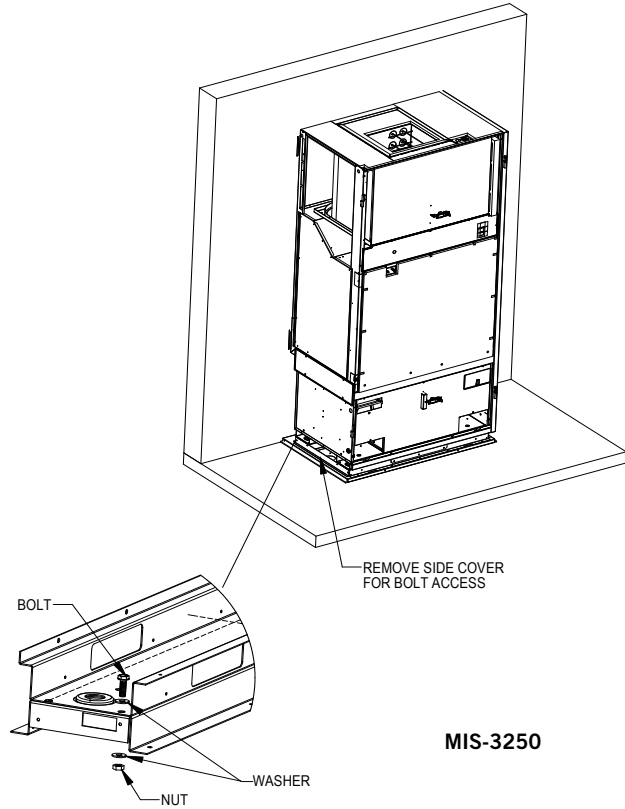
Figure 4



MIS-3249

Set unit on riser platform; mechanical lift is recommended for this using fork holes in front and sides of unit. Connect riser base to unit using supplied bolts, washers and nuts (see Figure 5).

Figure 5



Install left and right side trim pieces using two (2) supplied screws in front of trim and two (2) supplied clips in back area (see Figure 6).

Install front trim piece using two (2) supplied screws to attach to unit and two (2) clips to riser base (see Figure 7).

Re-install sides and doors of unit per IZ Series Installation Manual (see Figure 8 on page 6).

Figure 6

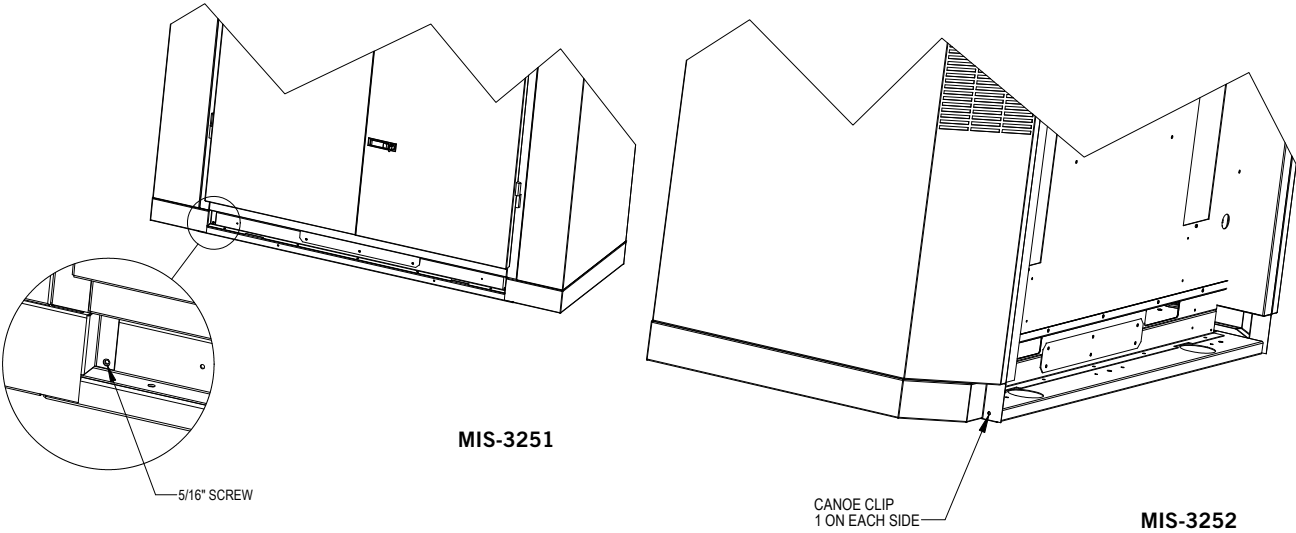


Figure 7

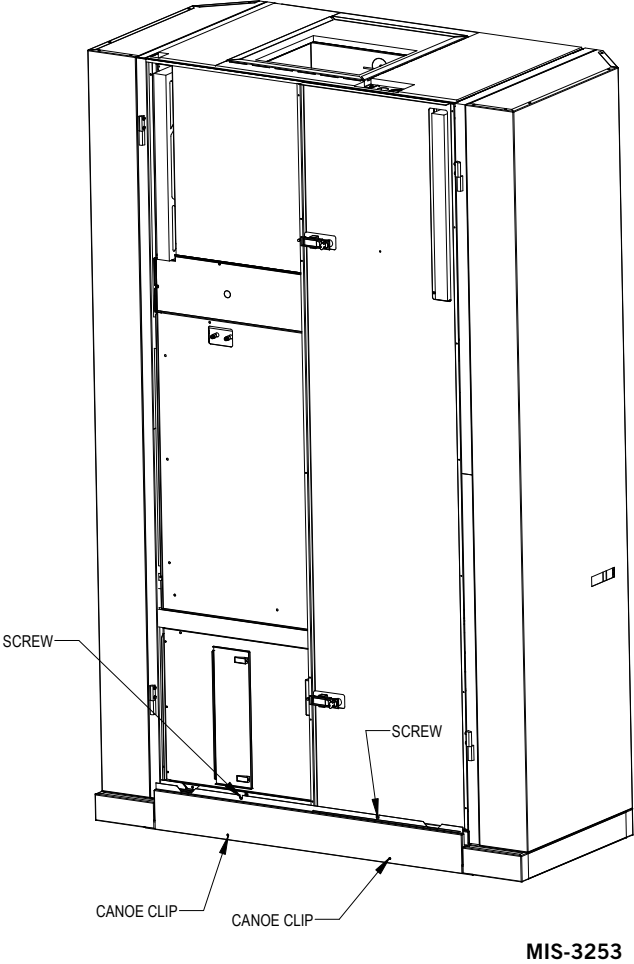
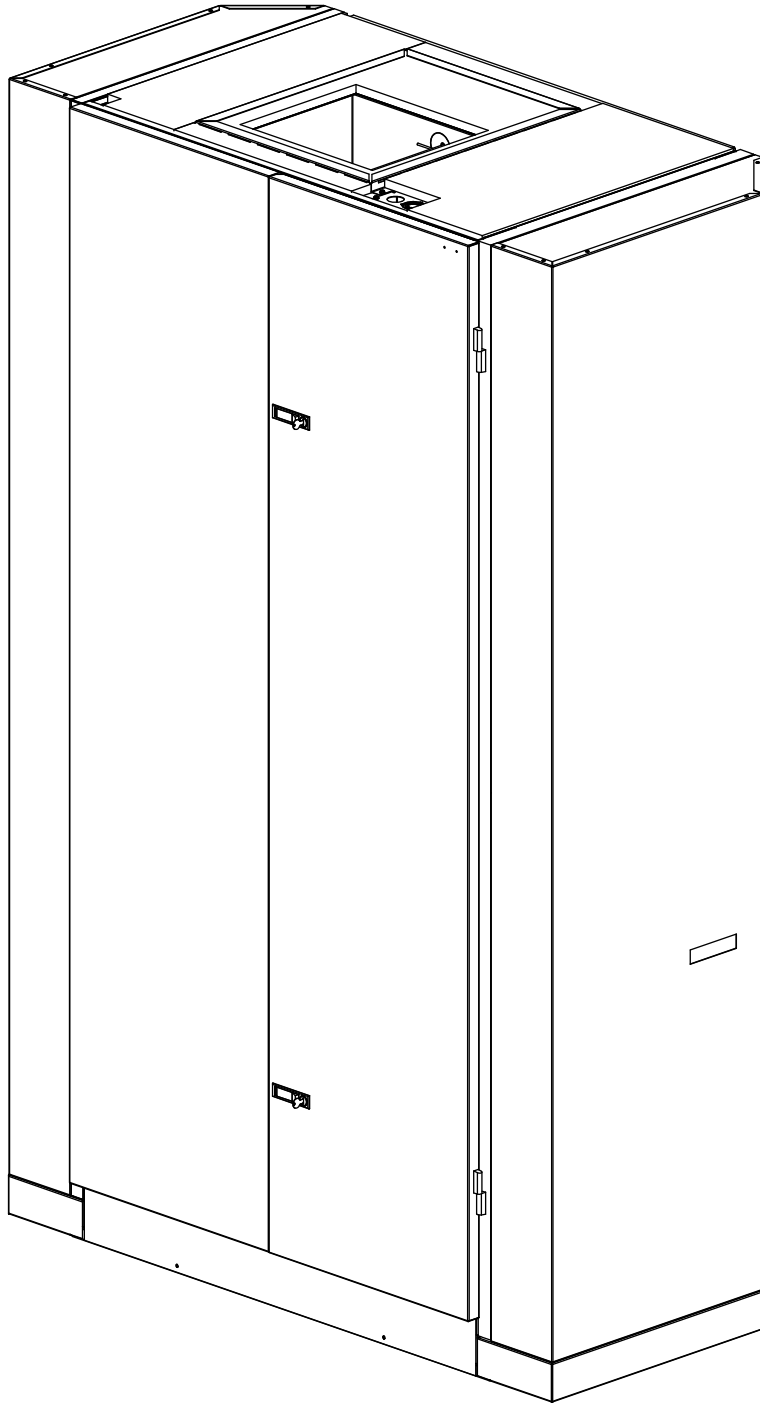


Figure 8



MIS-3254