

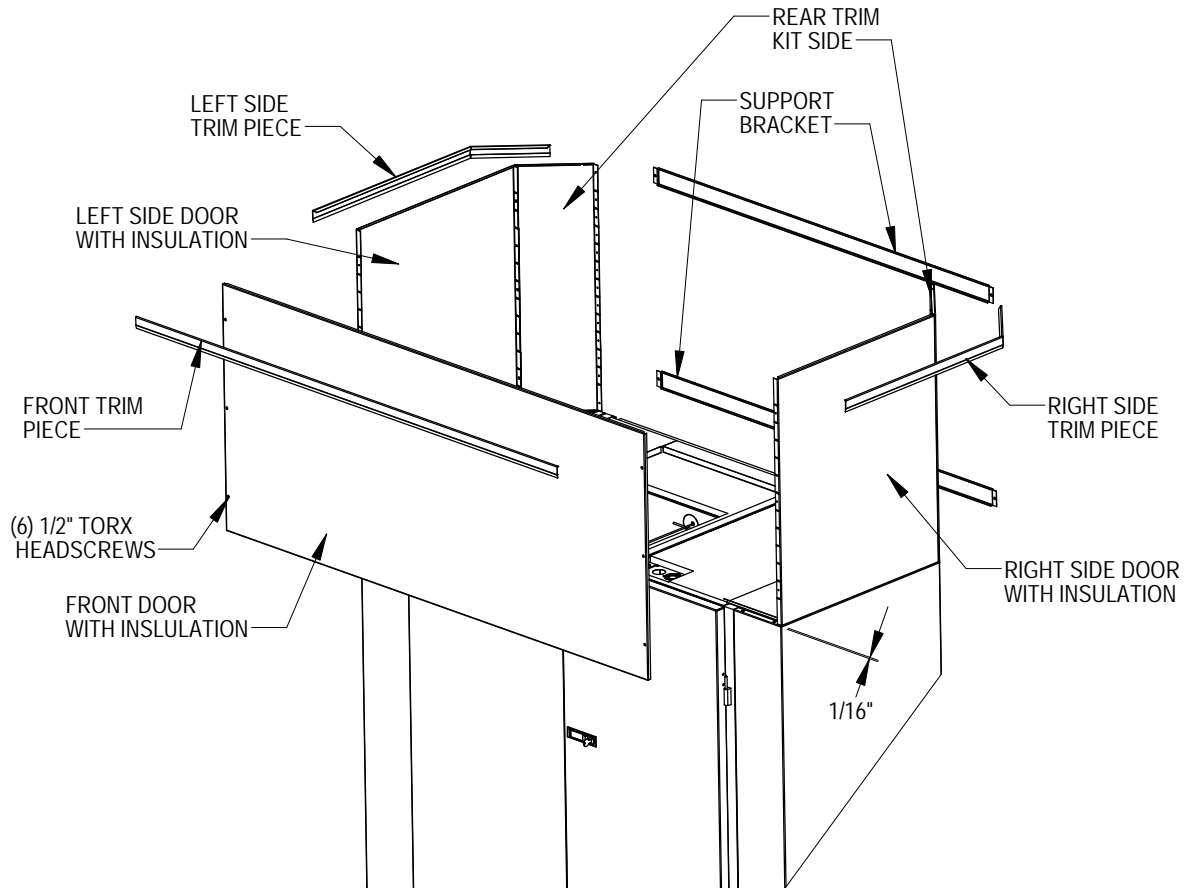


Bard Manufacturing Company, Inc.
Bryan, Ohio 43506

CABINET EXTENSION INSTALLATION INSTRUCTIONS

ICXZ28-X
ICXZ28-1
ICXZ28-4

Beige
White
Gray



MIS-3588

FEATURES

Cabinet Extensions can be used with ducted systems and the Model IHWC Ducted Hot Water Coil to enclose the ductwork. It can also be used to hide piping, valves, and wiring above the I-TEC "Z-Series" unit. The Cabinet Extension can be used to fill the space between the top of the Duct-Free Plenum Box and ceiling.

The Cabinet Extension is 28 inches tall and is designed for a maximum ceiling height of 10'-2" without the use of a riser kit. If a riser kit is used, then the maximum ceiling height is increased by the height of the riser being used. The Cabinet Extension can also be trimmed to accommodate lower ceilings.

The Cabinet Extension is shipped unassembled. Take a moment to check the contents of the carton before proceeding.

INSTRUCTIONS

Parts List

- L. H. Side Panel (1)
- R. H. Side Panel (1)
- Rear Trim Kit Sides (2)
- Front Door (1)
- Support Bracket (2)
- Side Panel Insulation (2)
- Trim Kit Side Insulation (2)
- Front Door Insulation (1)
- Left Side Trim (1)
- Right Side Trim (1)
- Front Top Trim (1)
- 5/16" X 1/2" Lg. Hex Head Sheet Metal Screws (4)
- 5/16" X 3/8" Lg. Self-Tapping Hex Head Sheet Metal Screws (4)
- 1/2" Painted Torx™ Screws (6) use T-25 driver

CAUTION: *Use safe practices when lifting. At least two (2) people are required to lift and position the Cabinet Extension panels on top of the I-TEC heat pump.*

1. Determine the required height of the Cabinet Extension by measuring the distance from the top of the I-TEC, or duct free accessory to the finished ceiling. If the Cabinet Extension is going to extend beyond the ceiling, remember to take this into account.

Installation Tip – Ceilings and floors are not always level. When taking measurements, measure front-to-back and side-to-side to minimize the gap at the top.

2. The front door, side panels, rear trim kit sides, and support brackets can be trimmed to any height. Witness notches have been placed approximately every 2 inches in the front and rear flanges of the side panels to act as a guide for cutting. Trim panels to desired height. **NOTE: If you are not extending through the ceiling, cut panels 1/4" shorter than measured in Step 1.**
3. Edge trim pieces are included to cover the cut edge as well as provide additional strength. Remove backer from tape and then simply slide down over the cut edge. Press down to ensure tape sticks the entire length of the trim piece.
4. Front and side panel insulation is provided for sound reduction. Trim insulation to match panel height, remove the peel-off backing and attach to the inside of the panels. **NOTE: When insulating the front panel, start the insulation 1" inch in from the edge.**

Installation Tip – The insulation is best cut with scissors, or by compressing it with a straight edge and then cutting with a utility knife.

5. Attach the support brackets to the side panels using 5/16" X 1/2" long Hex. Head sheet metal screws.
6. Install the side panels first. For installation on top of a duct-free plenum or duct-free hot water coil use three (3) 5/16" x 1/2" long Hex. Head sheet metal screws to attach each side. Engagement holes have been provided in the top of these accessories. If installing directly to the top of the I-TEC unit, you will need to use the same screws, but shoot them down into the attachment rails on top of the unit. Shoot one (1) self-tapping screw through the bottom flange of the support bracket into the top of the I-TEC or accessory. **NOTE: When installing directly to the top of the I-TEC, offset the side panels by 1/16" (See Illustration). This will ensure that the cabinet extension door and unit doors are flush.**
7. Install the front panel using six (6) painted Torx™ drive screws with a T-25 driver.