

---

# SUPPLEMENTAL INSTRUCTIONS

---

## Curb Adapter Top Panel

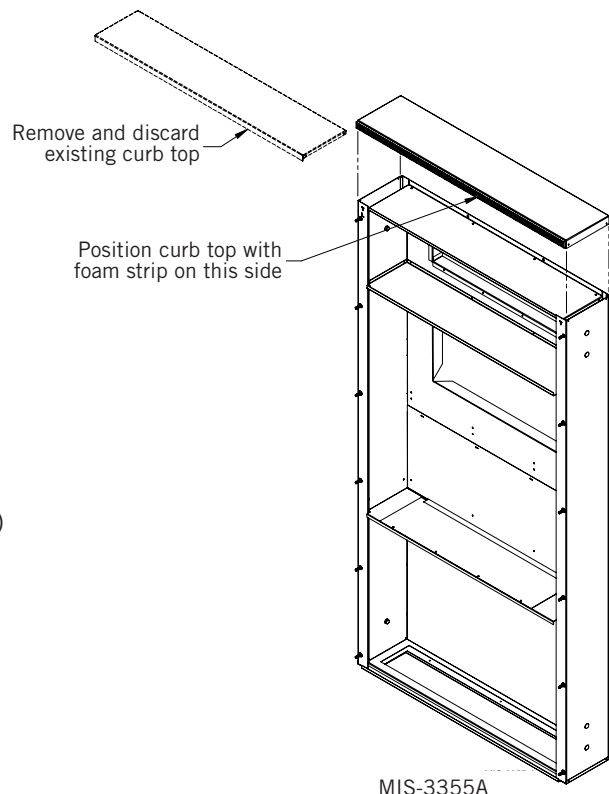
### Models:

WG4CA3-X	WG4CA3-4	WG4CA3-8
WG4CA5-X	WG4CA5-4	WG4CA5-8
WG9CA3-X	WG9CA3-4	WG9CA3-8
WG9CA5-X	WG9CA5-4	WG9CA5-8
WGFCF5-X	WGFCF5-4	WGFCF5-8

### Top Panel Installation

1. Remove and save the four (4) screws holding the top panel to the TCURB, CCURB or CFCF.
2. Remove the top from the curb and discard.
3. Position the adapter top to the curb with the foam strip toward the unit side of the curb.
4. Attach the adapter top to the curb with the four (4) screws removed in Step #1.

See page 2 for additional installation instructions.



Bard Manufacturing Company, Inc.  
Bryan, Ohio 43506  
www.bardhvac.com

Manual: 7960-709C  
Supersedes: 7960-709B  
Date: 3-23-22

## Additional Installation Notes

# WARNING

**Follow installation instructions exactly. The WG series units require 1" clearance between the supply air duct and combustible materials for the first 3' of ducting.**

**Failure to follow these installation instructions exactly could result in fire causing damage, injury or death.**

1. Follow the general installation instructions included with the curb for locating and fastening the curb to the wall. Pay specific attention to the fastener selection used to secure the unit to the wall, ensuring adequacy to support the weight of the product.

2. Included in this manual is a new reference drawing for the attachment of the unit to the modified TCURB (see Figure 1). This modification is not required for CCURB or CFCF.
3. Applying this curb to a fossil fuel burning wall mount does not negate the requirements for 1" clearance to all combustible products for the first 3' of duct run.

If running this product as a duct-free installation, a metal duct must be installed between the outlet air frame of the wall curb and the supply air grille. Ensure there is a 1" spacing to any combustible material.

If connecting ductwork, maintain 1" clearance between the ductwork and any combustible material for the first 3' of duct run.

4. Further airflow improvement can be achieved by outwardly bending the return duct air flanges on the back of the WG unit down flush with the unit back (as shown in Figure 1).

**FIGURE 1**  
**Unit Mounting Preparation**

