
INSTALLATION INSTRUCTIONS

WGPB5-* TRANSITION BOX

For Use With WG Wall Mount Gas/Electric Air Conditioners

INSTALLATION ON WG UNIT

1. Remove screws as shown in Figure 1.
2. Place WBPB5-* on unit and re-install screws removed in Step 1.
3. Caulk under and around front flange and secure with self-drilling screws (see Figure 2).

Figure 1

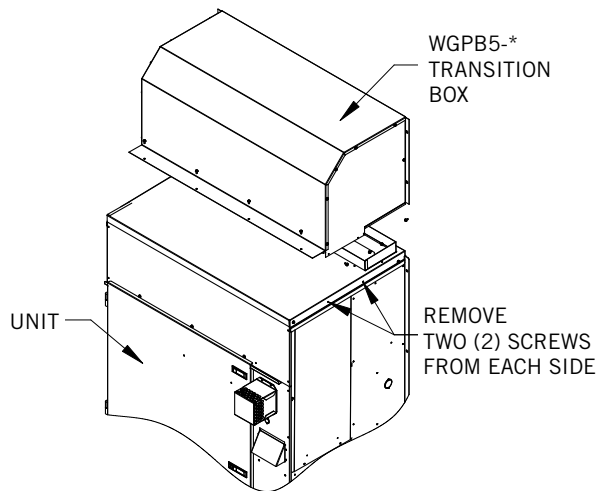
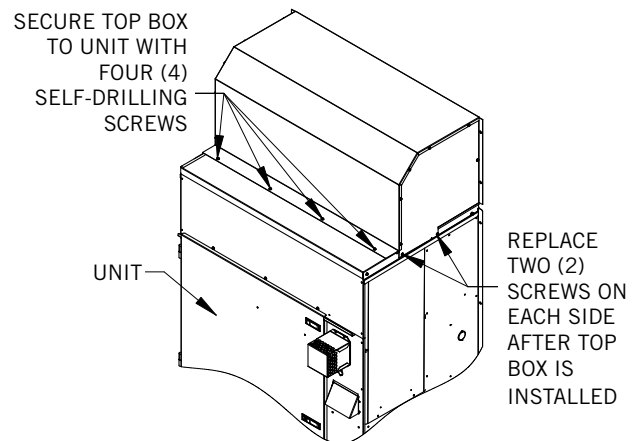


Figure 2



Climate Control Solutions

Bard Manufacturing Company, Inc.
Bryan, Ohio 43506
www.bardhvac.com

Manual: 7960-739
Supersedes: **NEW**
Date: 7-16-15

INSTALLATION ON WG UNIT WITH CURB

1. Remove top of curb and replace with WG9CA5-* top (see Figure 3).
2. Remove the supply air frame from the curb (see Figure 4). Place the supply blank off on the back of the curb with the insulation extending through the supply opening. Use the screws removed from the air frame to secure the blank off plate. Screws are installed from the inside to the outside.
3. Install the curb and unit per instructions.
4. Remove the two (2) screws from the unit, one (1) per side (see Figure 3). Install the WGPB5-* on top of the unit and curb. Re-install the two (2) screws and use self-drilling screws to secure the top box to the unit through the predrilled holes in the WGPB5-* (see Figure 5).

Figure 3

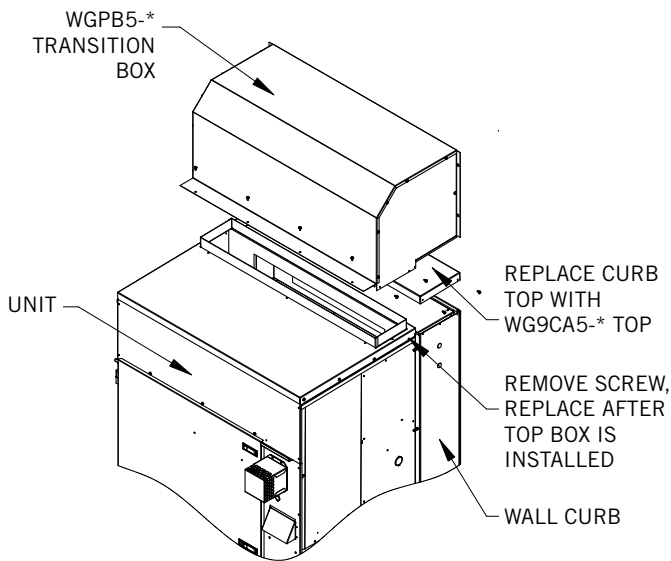


Figure 4

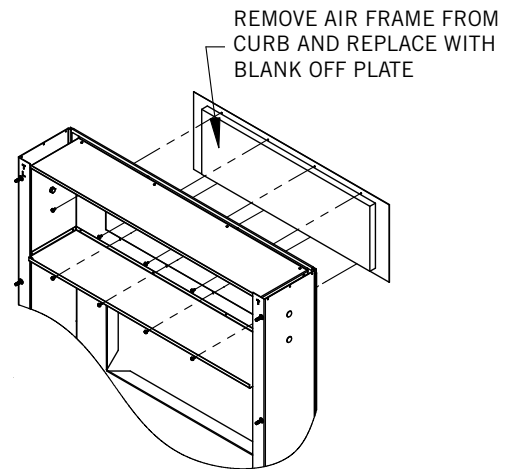


Figure 5

