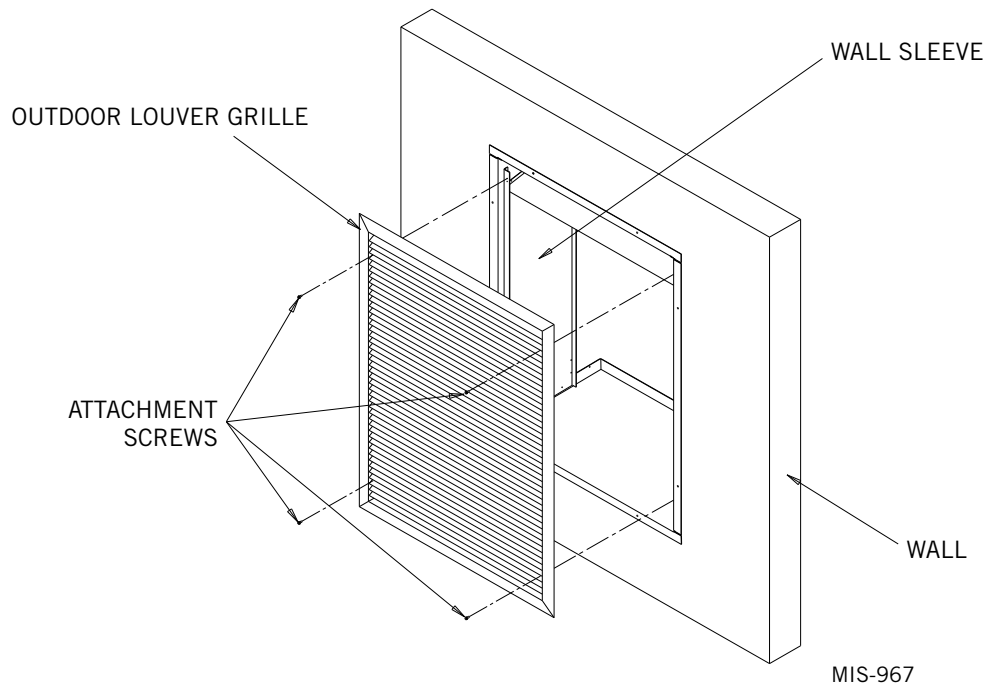


---

# INSTALLATION INSTRUCTIONS

---

## OUTDOOR LOUVER GRILLE QLS2-\*\*, QLS4-\*\*, QLW-\*\*



1. Remove the four screws holding the weatherization panel. Save these screws as they will be used to attach the grille. *NOTE: A T-25 Torx driver is required.*
2. Remove the weatherization panel from the wall sleeve from the outside and discard.
3. Position the outdoor louver grille in the wall sleeve opening. The louvers must be facing downward.
4. The outdoor louver grille flanges should touch the wall sleeve flanges on the outside wall.
5. Locate the four mounting holes in the outdoor louver grille. They can be seen by looking under the louvers. The outdoor louver grille fastens through the same holes in the wall sleeve as the weatherization panel.
6. Insert the screws through the grille mounting holes and attach the outdoor louver grille using the mounting holes provided in the wall sleeve.



Bard Manufacturing Company, Inc.  
Bryan, Ohio 43506  
www.bardhvac.com

Manual: 7960-743  
Supersedes: **NEW**  
Date: 4-18-16