

---

# SUPPLEMENTAL INSTRUCTIONS

---

## Cabinet Extension

Models:

Q4CX10A-4    Q4CX10A-V    Q4CX10A-X  
Q4CX15A-4    Q4CX15A-V    Q4CX15A-X

---

### INSTALLATION

#### **WARNING**

*Heavy item hazard. At least two people are required to lift and position the cabinet extension panels on top of the Q-TEC unit. Failure to do so could result in unit damage or serious injury.*

#### **CAUTION**

*Cut hazard. Wear gloves to avoid contact with sharp edges. Failure to do so could result in personal injury.*

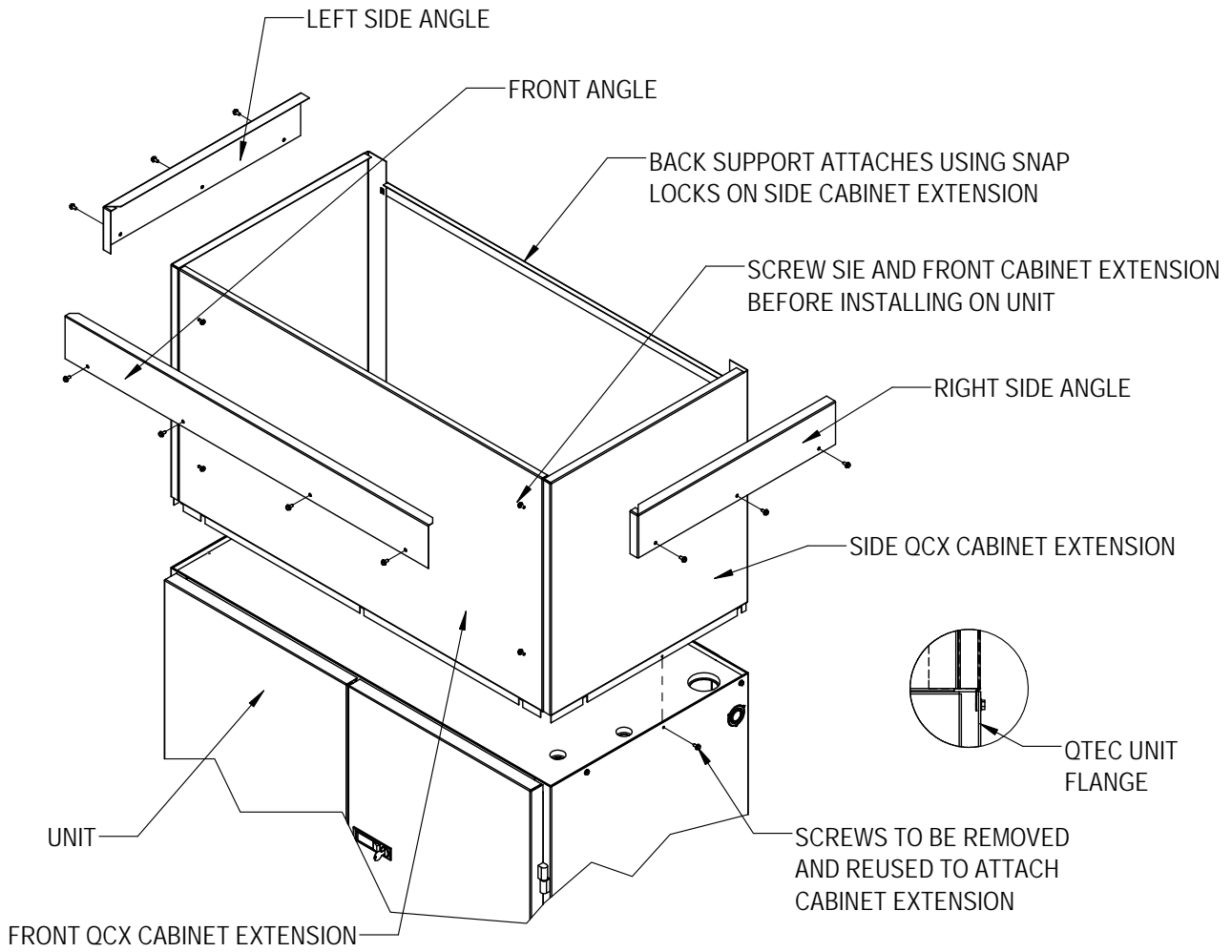
1. Screw the sides and front cabinet extension together using four (4) hex head screws (see Figure 1 on page 2).
2. Remove the center screw from each of the top sides of the unit.
3. Place the cabinet extension on top of the Q-TEC™ unit with the open side to the rear and the offsets down. The bottom offset of the extension should be inside the top flange of the unit. The outside of the extension should be flush with the outside of the unit.
4. Re-install the screws in the top of the Q-TEC unit. These screws will hold the cabinet extension in place.
5. Slide the back support behind the duct and attach using snap locks on the side extensions.
6. The QCX has additional angles if more height is needed to reach the ceiling. The angles provide up to an additional 5" in height for a maximum trim height of 112".
7. Hold the angles against the cabinet extension and slide up to the ceiling. Make sure the angle is centered on the side. Mark the holes on the side of the cabinet extension. Drill an 1/8" hole in the center of the marks. Reposition the angle and attach with the screws provided.



Bard Manufacturing Company, Inc.  
Bryan, Ohio 43506  
www.bardhvac.com

Manual: 7960-877A  
Supersedes: 7960-877  
Date: 11-10-20

**Figure 1**  
**Q4CX10/15A-\* Cabinet Extension**



MIS-4168