

---

# SUPPLEMENTAL INSTRUCTIONS

---

## Q-TEC™ Series Sound Reduction Plenum

Models:

Q4SP3-4    Q4SP3-V    Q4SP3-X  
Q4SP5-4    Q4SP5-V    Q4SP5-X

---

### Product Description

The Q\*SP sound reduction plenum kits for the Q-TEC indoor wall mount product line offer a method to reduce indoor sound levels in an occupied room. Sources of indoor sound from a standard heating and cooling equipment product are often air moving components or other moving parts within the cabinet that are creating sound within the room through air paths. The Q\*SP kits redirect the return airstream to reduce sound emanating from the unit through the unit air paths.

The Q\*SP kit ships with some components pre-assembled and is easy to install. The top and bottom portions of the plenum are pre-assembled. The unit front doors will be used once the sound plenum frame is assembled to the unit. Be sure to save the unit front doors for use on the sound plenum and keep the doors free from damage while installing the plenum kit on the Q-TEC unit.

It is important to understand that when installed, the Q\*SP will relocate the return air path of the Q-TEC unit from the middle of the front doors to the sides of the sound plenum. The unit will also require additional service clearance for product maintenance and filter replacement. Additional airflow clearance will also be required on both sides of the product to ensure the return airstream is not restricted. Review all clearances required for the unit provided in this manual. For best sound reduction results, it is not recommended to install the

Q-TEC unit and sound reduction plenum in the corner of a room or blocking a portion of the side return area.

### Application

This manual provides instruction for the installation of the Q-TEC Series sound reduction plenum.

The Q4SP3 (42" wide) and the Q4SP5 (48" wide) are designed to fit specific Q-TEC units (see Table 1).

The Q-TEC sound plenum is offered in three colors that are designated with the -4, -V and -X at the end of the model number (4 – gray, V – vinyl and X – beige).

TABLE 1

	QH4 Units	QA4 Units
Q4SP3-*	Q24HB Q30H4 Q36H4	Q36A4 Q42A4
Q4SP5-*	Q43H4 Q48H4	Q48A4

The Q4SP sound reduction plenum kit includes:

- Top Half Assembly
- Bottom Half Assembly
- Screws (14)
- Self-Drilling Screws (10)



Bard Manufacturing Company, Inc.  
Bryan, Ohio 43506  
www.bardhvac.com

Manual: 7960-894  
Supersedes: **NEW**  
Date: 4-8-21

- Latch Brackets (2)
- Insulated Fill Brackets (2)
- 7960-894 Supplemental Instructions

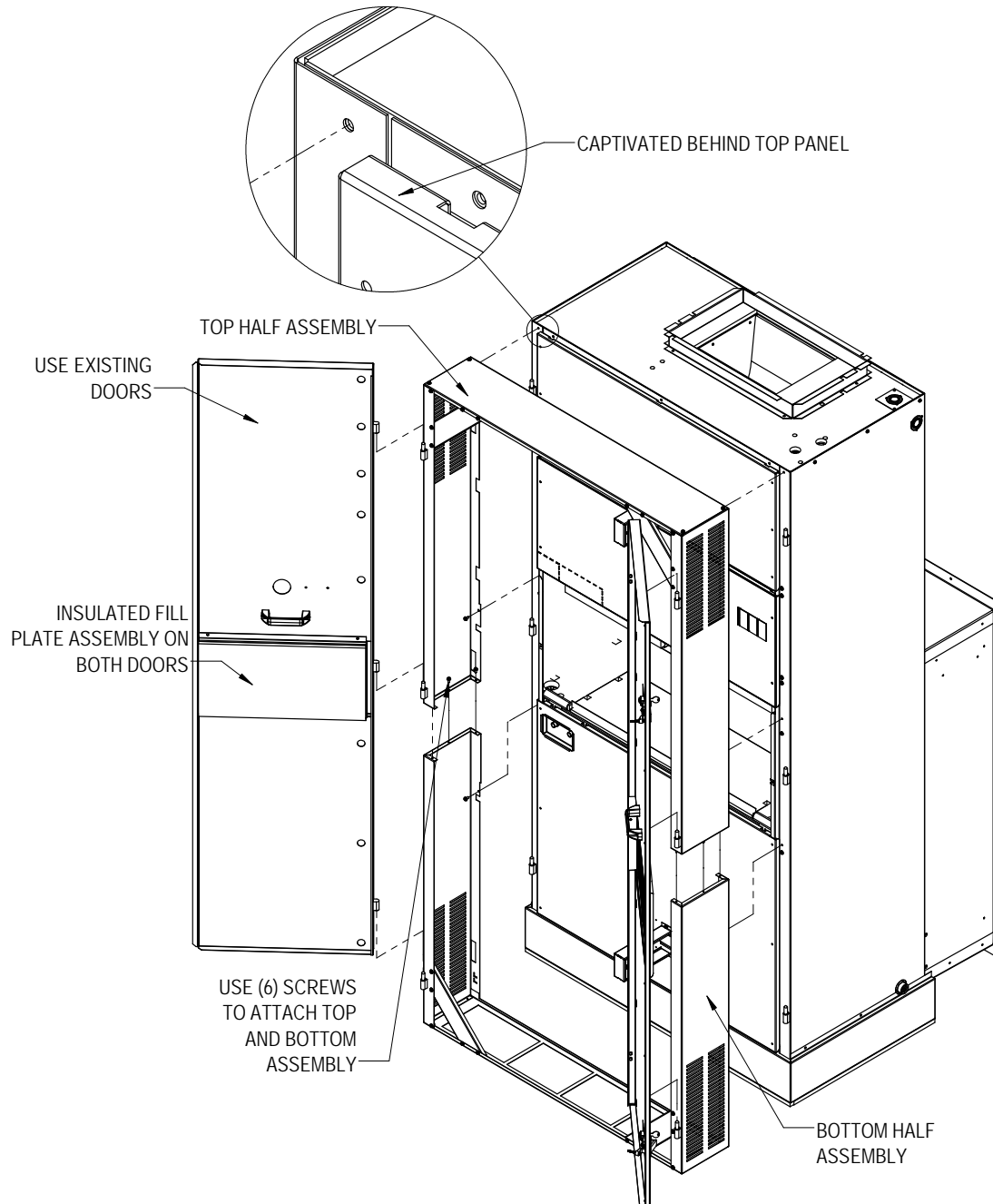
Tools needed for the installation:

- Personal protection equipment, including gloves and safety glasses
- 5/16" nut driver
- 8" extension
- Drill

## Installation

1. Disconnect all power to wall-mount unit before beginning installation.
2. Remove the assembly from its packaging and locate the parts bag that contains additional fasteners for assembly and installation.
3. Locate top half assembly (two slotted sides and a solid top piece) and place on flat surface with hinge pins up.

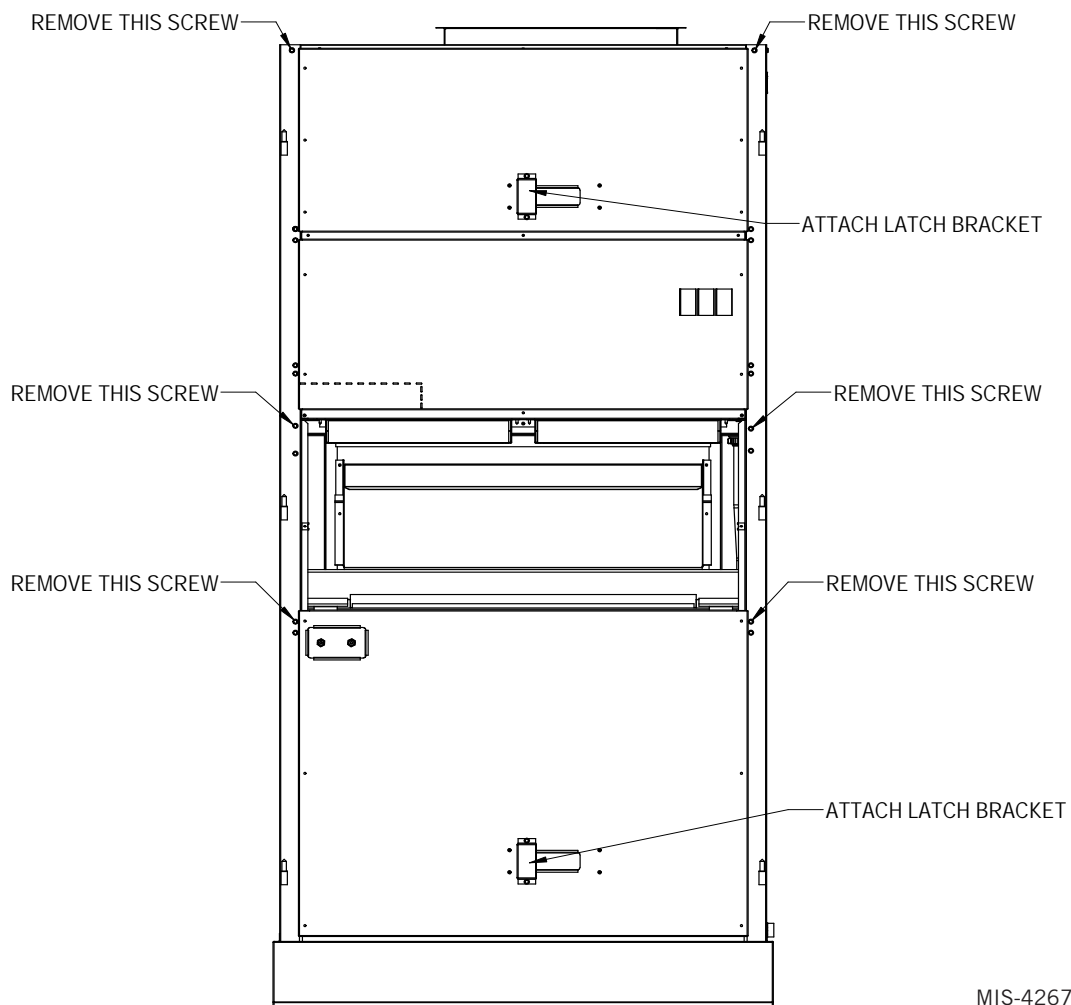
FIGURE 1



MIS-4268 A

4. Locate bottom half assembly (two slotted sides and a bottom plate with four large cutouts) and place on flat surface below top half assembly with hinge pins up (see Figure 1).
5. Secure top and bottom half assemblies using six (6) screws—three per side (see Figure 1).
6. Remove outer front doors from Q-TEC unit by releasing upper and lower latches, then lift each door off the hinges (use caution as door assemblies are heavy).
7. Six (6) existing screws must be removed from unit and retained as they are re-used to secure QSP to unit (see Figure 2).
8. The QSP can now be installed onto the front of the unit by aligning the existing unit hinge pins with the six (6) rectangular holes in the QSP sides that fit over the unit hinges; ensure QSP is flush to unit front. The QSP is captivated and will stay in place at this point.
9. Using the six screws that were removed in Step 7, secure the QSP to the unit front (see Figure 1).
10. Attach two (2) latch brackets, one to the upper blower access panel and the other to the lower condenser panel, using screws provided (see Figure 2).
11. Locate two (2) insulated fill plates and secure them to the inner panels of the outer front doors as shown in Figure 1 using eight (8) self-drilling screws provided in the parts bag.
12. Re-install unit outer front doors onto front of QSP by lifting and aligning three (3) hinge pins (use caution as door assemblies are heavy).
13. Close front doors and latches (latch adjustments can be made using adjustment screw).
14. Restore unit power.

**FIGURE 2**

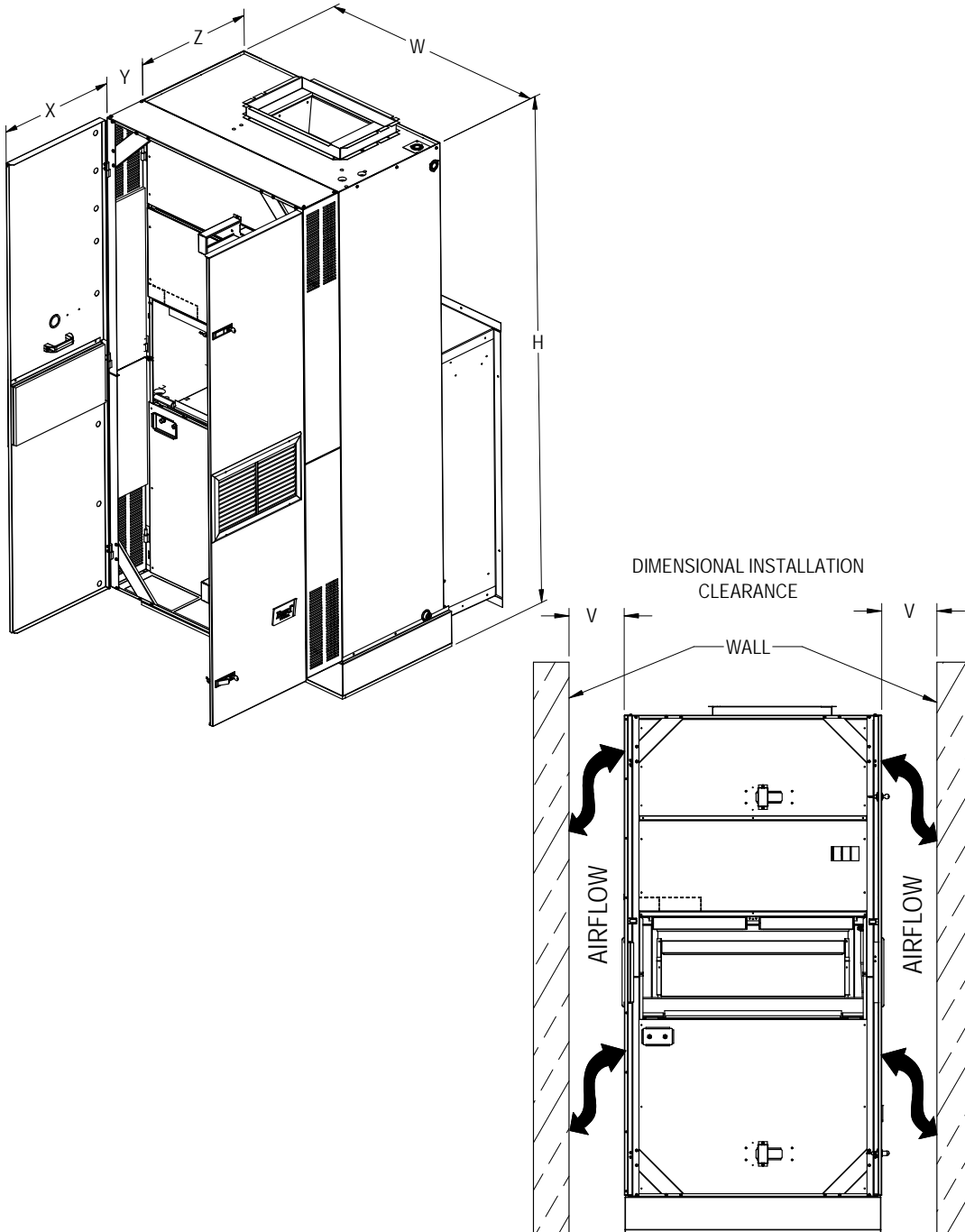


MIS-4267

**FIGURE 3**  
**Unit Dimensions and Clearances for Q\*SP Installation**

	H	V	W	X	Y	Z
Q24-36H Q36-42A	86.493	10	41.880	21.568	7.668	21.793
Q43-48H Q48A	86.493	10	47.880	24.485	7.668	21.793

All dimensions are in inches. Dimensional drawings are not to scale.



MIS-4310