

---

# SUPPLEMENTAL INSTRUCTIONS

---

## Rail Replacement with Trim Kit IRRZ-3 (3" Riser)

---

The IRRZ-3 rail replacement kit is designed for sleeve opening heights of 34" to 37" when installing the IZ Series heat pump.

When using the IRRZ-3 rail replacement kit, the existing vent section must be disassembled and the vent section bottom rails must be removed. For installations not requiring vent section bottom rail replacement, the IRPZ-3 riser platform kit is recommended.

### Kit Contents

- One (1) front trim piece
- One (1) left side trim piece
- One (1) right side trim piece
- Two (2) 6" tail base rails
- Two (2) side trim support brackets
- One (1) front trim support bracket
- One (1) parts bag with following contents:
  - Thirty-five (35) 10-16X1/2 screws (Bard P/N 1012-109)
  - Four (4) pine tree clips (Bard P/N 8611-128)

### Tools and Supplies Needed

The following field-supplied tools will be required for installation of the rail replacement kit:

- 5/16" socket with ratchet or drill driver
- Lag bolts and mounting plates (required if mounting base to floor)

## WARNING

*This unit is heavy and requires more than one person to handle during installation and removal from the skid. Extreme caution must be taken to prevent injury to personnel and damage to the unit. Use appropriate safety equipment, including gloves, when handling. Failure to do so may result in serious injury.*

## NOTICE

The I-TEC product features several locations for product securement but all site conditions are different. Consult with a licensed Seismic Engineer to advise of particular needs when attaching the I-TEC unit to the structure.



Climate Control Solutions

Bard Manufacturing Company, Inc.  
Bryan, Ohio 43506  
www.bardhvac.com

Manual: 7960-927  
Supersedes: **NEW**  
Date: 11-8-21

## Installation

Before starting installation, unpackage unit and base kit to check for shipping damage. Verify all parts have been shipped with kit and IZ Series heat pump. Locate rubber mat shipped in drain access area of the IZ unit behind vent section; set mat aside for future use.

### Rail Replacement

Before installation of the unit, the follow steps are needed to replace the base rails.

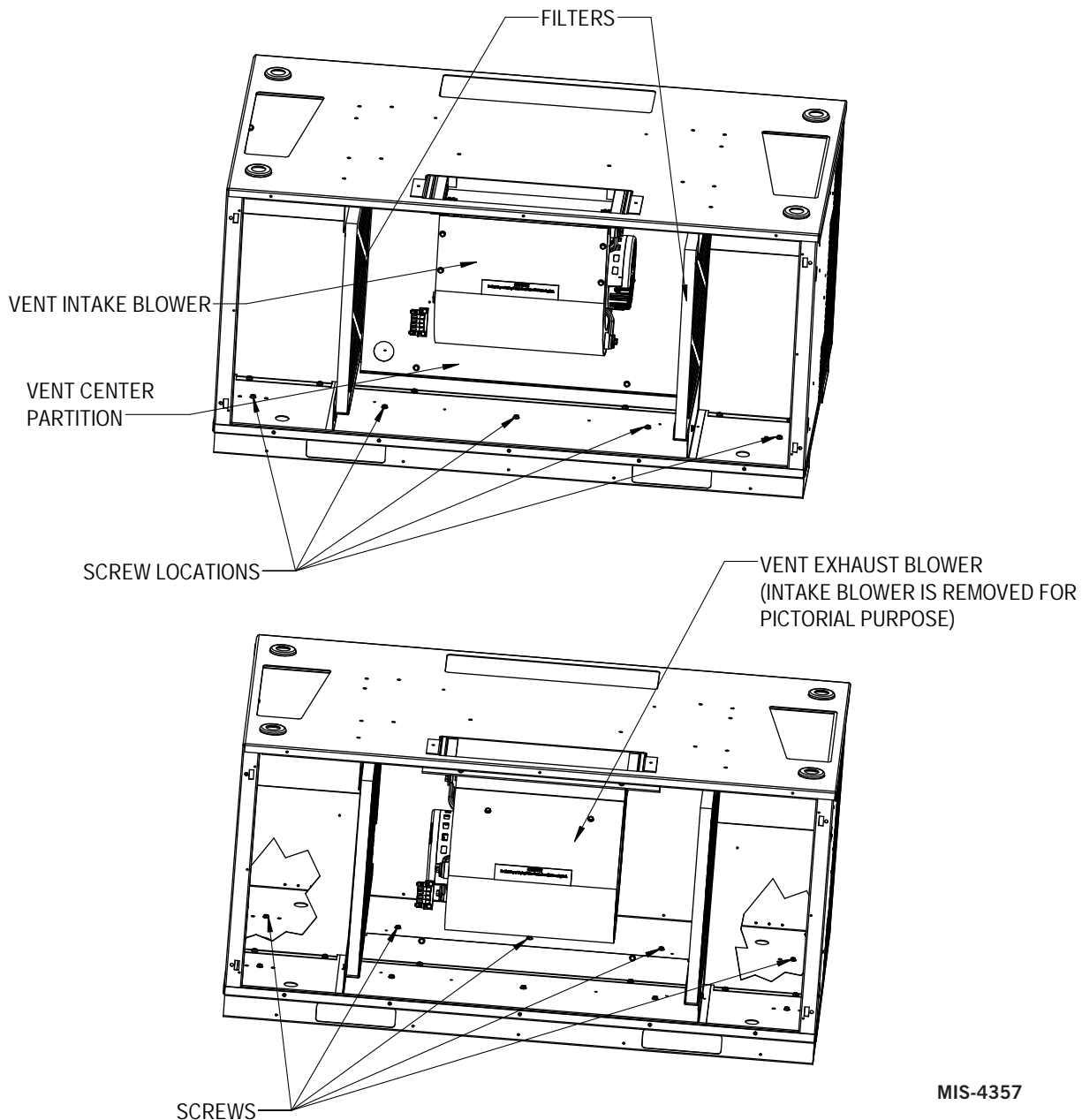
1. Remove the doors and sides from the unit. Then remove the top section of the unit from the bottom section (vent box). Refer to section **Handling Unit**

after Removal from Skid in IZ Series heat pump installation instructions 2100-578 for further directions on disassembling unit.

2. Remove the factory-installed base rails from the vent box. The following parts will need to be removed from the vent box in order to locate and remove the ten (10) screws per base rail (see Figure 1).

- Vent intake blower
- Vent center partition
- Vent exhaust blower
- Filters

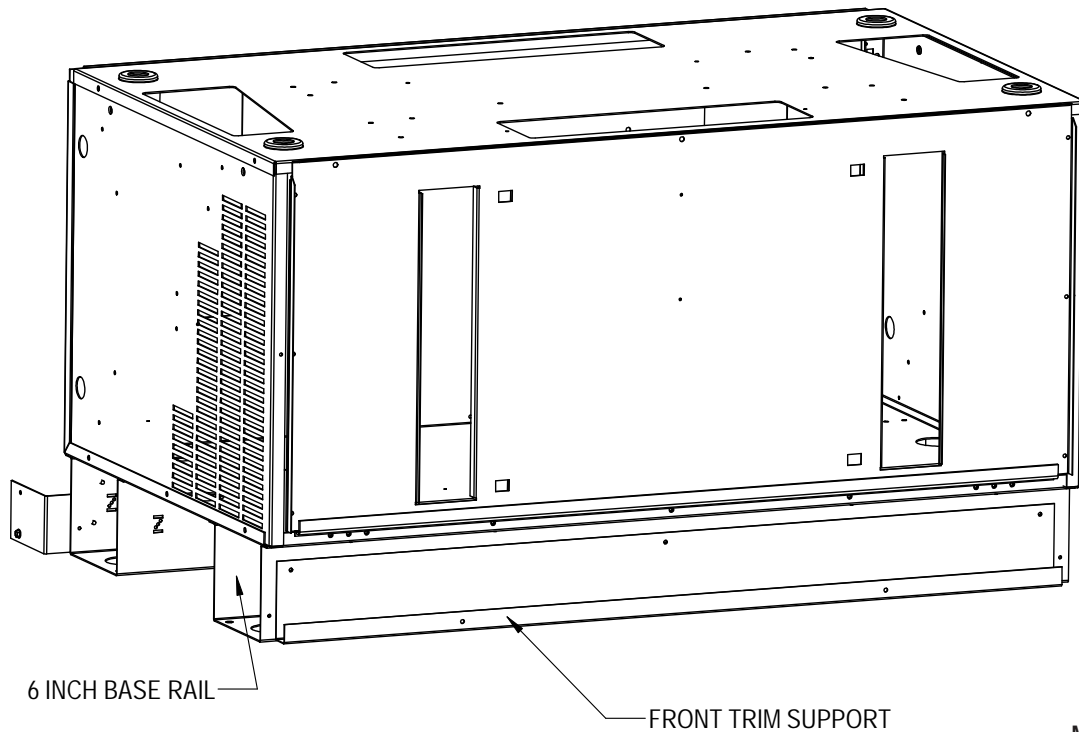
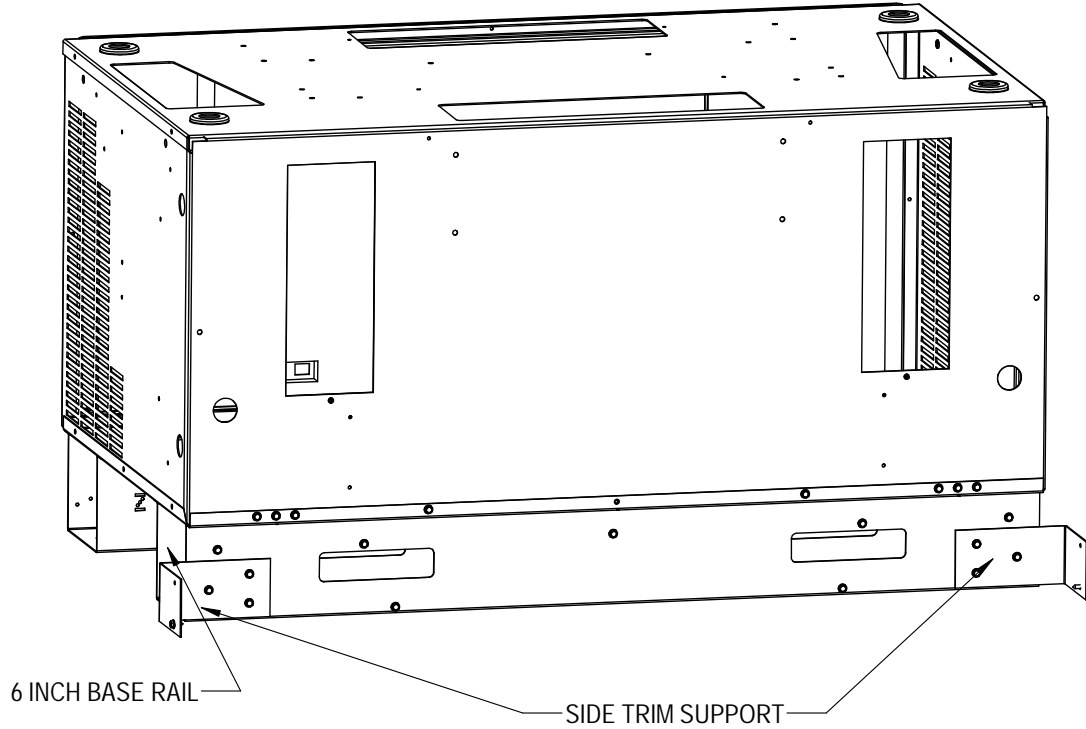
Figure 1



MIS-4357

3. Install the 6" tall base rails. These rails require eighteen (18) screws per base rail. Once installed, the parts removed in Step 2 can be re-installed into the vent box.
4. Install the two side trim support brackets on the unit's back base rail and the front trim support on the front base rail (see Figure 2).
5. Re-assembly the top section of the unit back onto the vent box and plug the vent harness back in.

Figure 2



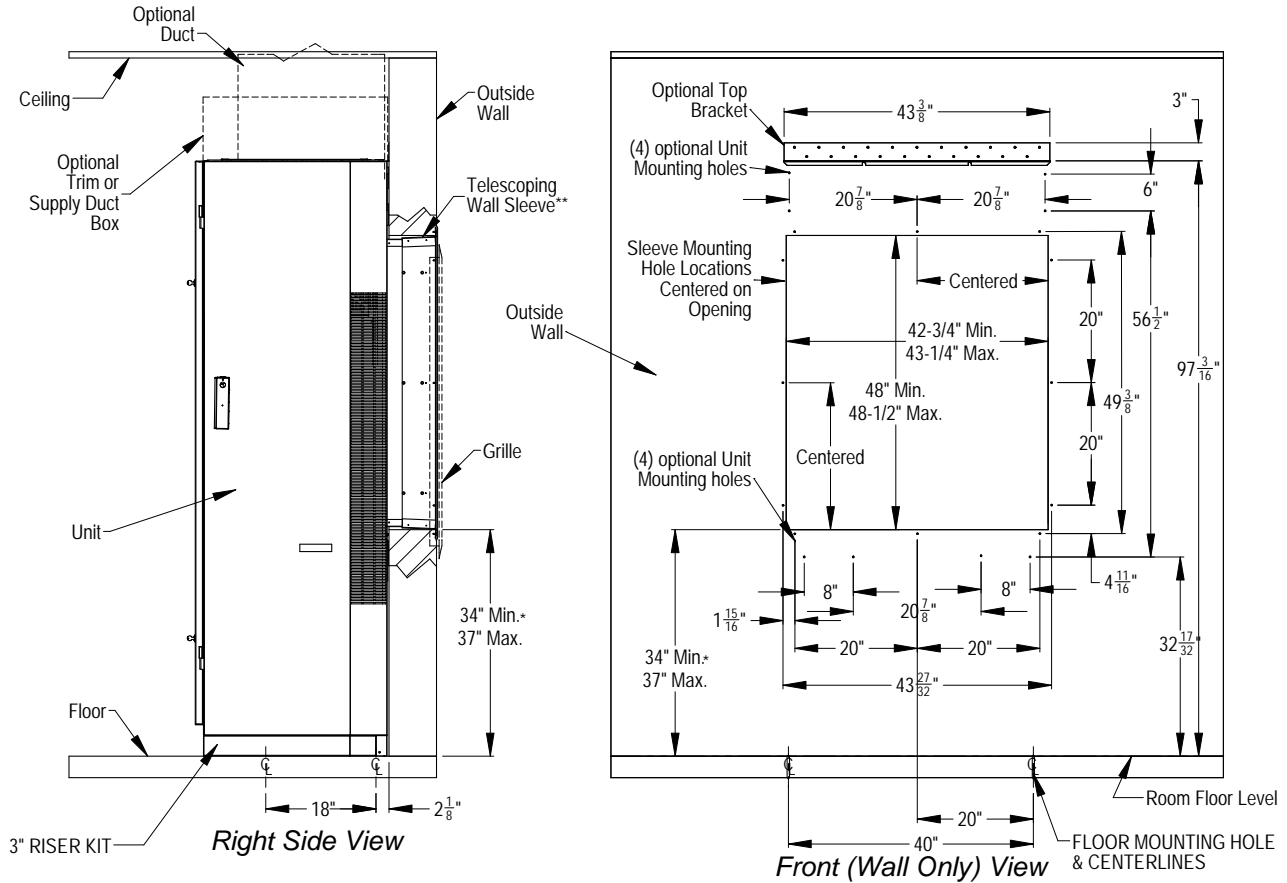
MIS-4358

## Unit Installation

1. Install sleeve following all procedures and steps provided in sleeve instruction manual. Refer to Figures 3 and 4 for wall opening dimensions when using riser kit.

Figure 3

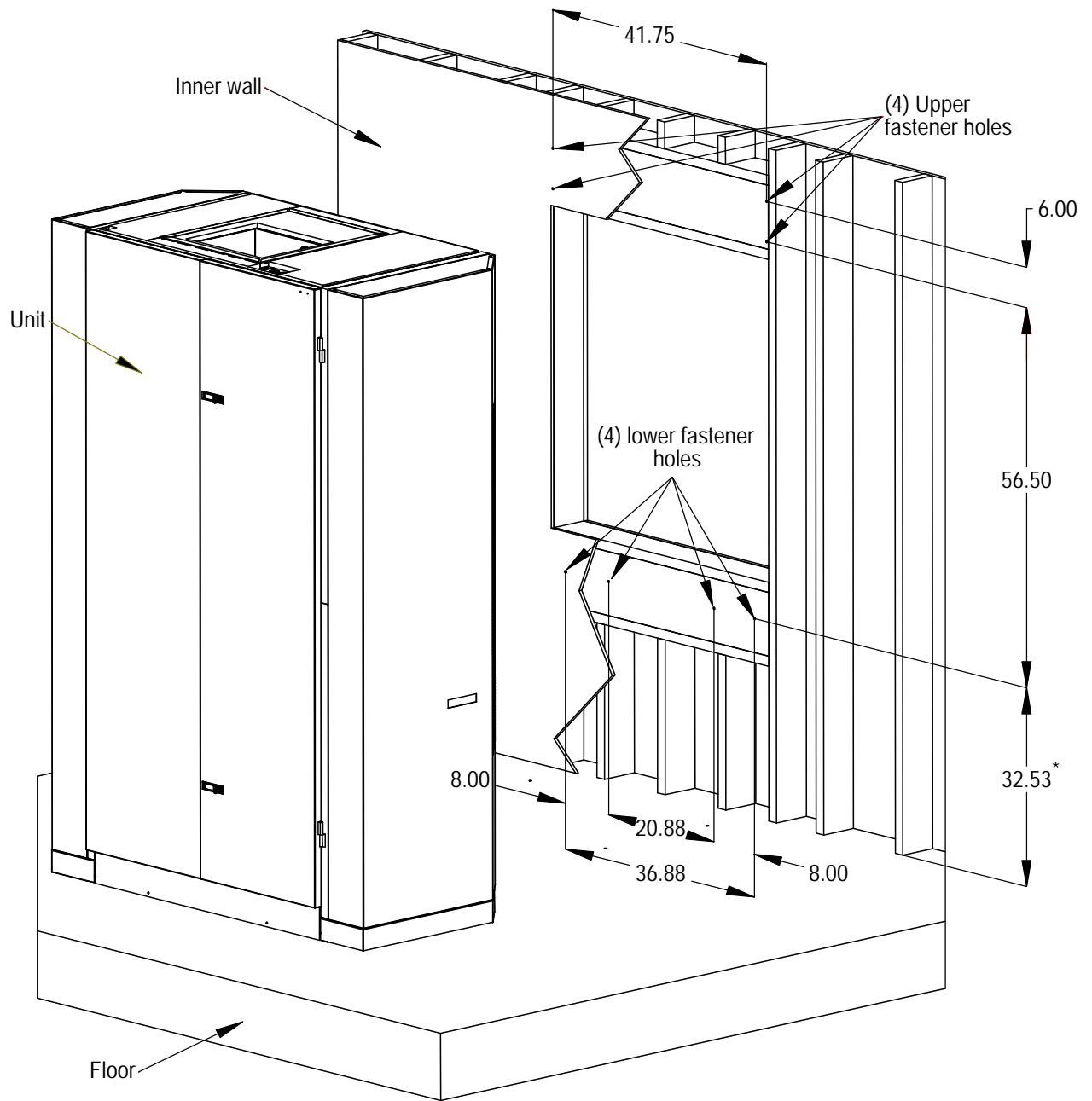
## Wall Section View



\* Higher Sill Heights Achievable With Base Kit.  
 \*\* Separate telescoping sleeves available for different wall thicknesses.

MIS-3241

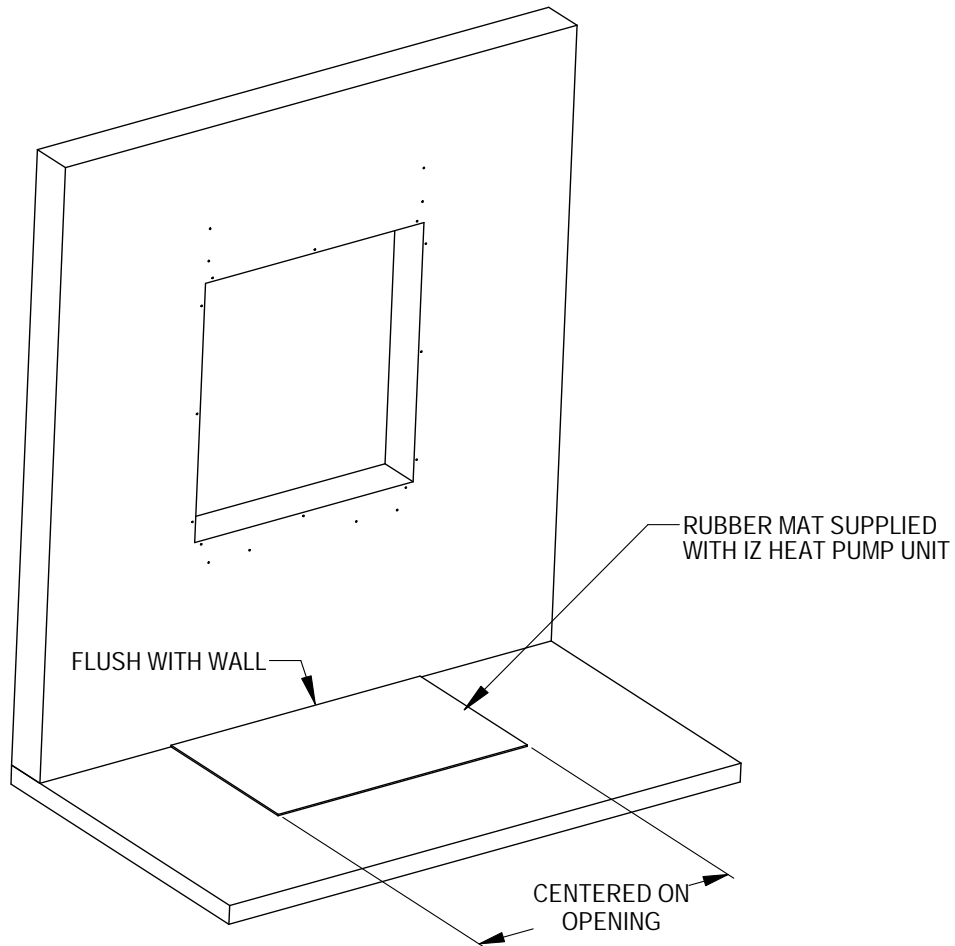
Figure 4



MIS-3245

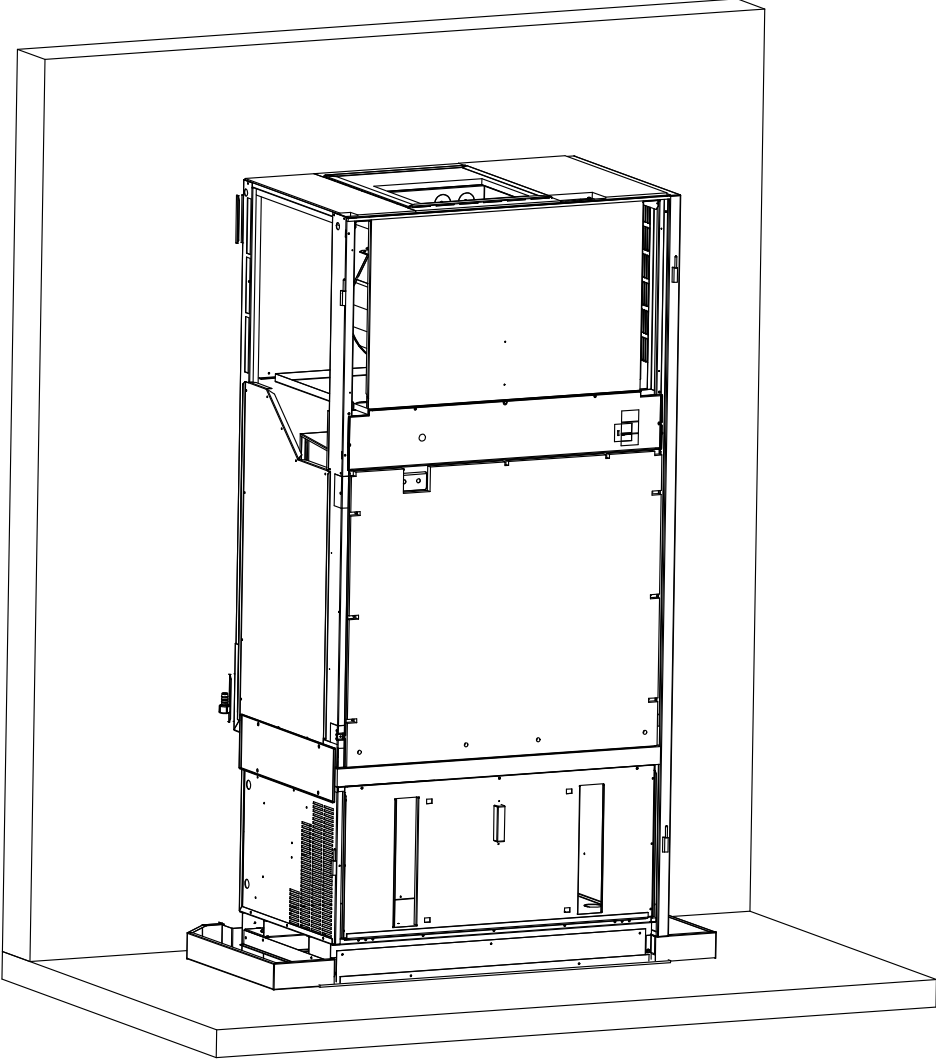
2. Use rubber mat provided with IZ Series heat pump and place in center/front of wall opening (sleeve flush with wall) as shown in Figure 5.
3. Set unit on rubber mat; mechanical lift is recommended for this using fork holes in front and sides of unit. Install field-supplied mounting plates with lags through the base rails, if required (see Figure 6).
4. Install left and right side trim pieces using two (2) supplied screws in front of trim and two (2) supplied clips in back area (see Figure 7).

**Figure 5**



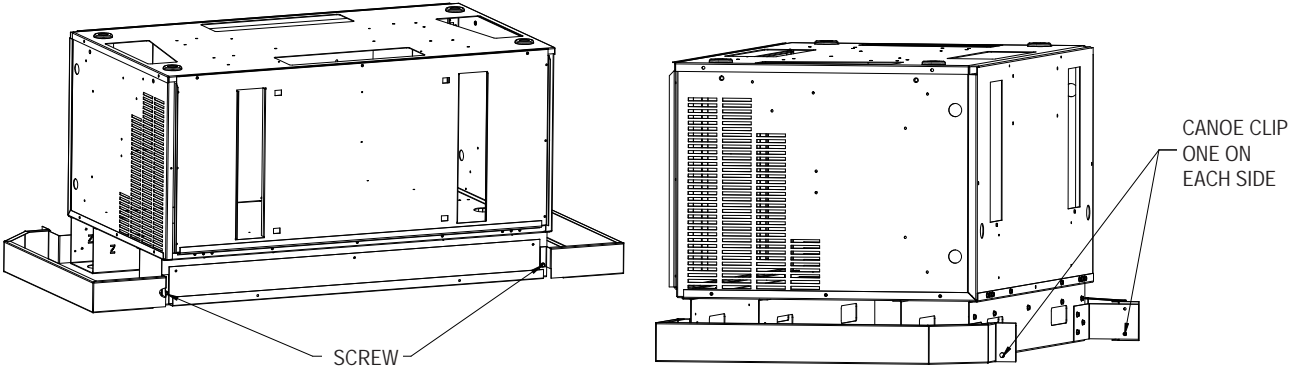
MIS-3248

Figure 6



MIS-6007

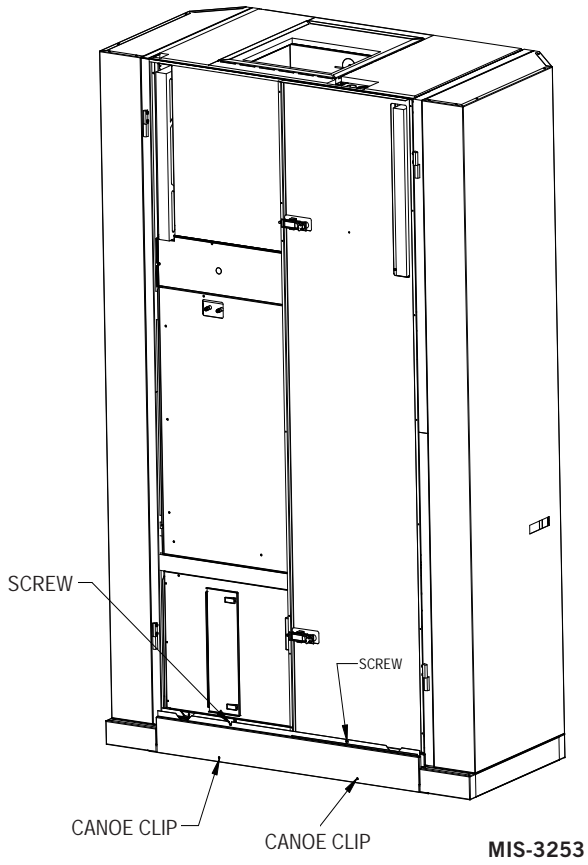
Figure 7



MIS-4359

5. Install front trim piece using two (2) supplied screws to attach to unit and two (2) clips to riser base (see Figure 8).

**Figure 8**



6. Re-install sides and doors of unit per IZ Series installation instructions manual (see Figure 9).

**Figure 9**

