
Supplemental Instructions

Commercial Room Ventilator Actuator Motor and Control Reference Guide

Bard commercial room ventilator (CRV) models have undergone several changes in the actuator motor and control designs used in Bard WG, TS/TH/CH/WA/SH and Q-TEC™ QWS/QC units. This document is designed to ensure the correct replacement parts are used. See **General Instructions** below and more detailed instructions provided on the following pages.

General Instructions

If replacing a **Honeywell black box actuator**, use a replacement black box from service stock (until depleted). If service stock is no longer available, replace with one of the following replacement kits:

- 8620-353: On/Off Black Box Actuator Replacement Kit
- 8620-354: Modulating Black Box Actuator Replacement Kit

If replacing a **Honeywell diamond actuator** (8612-114 actuator or 8612-115 crank arm kit), use the appropriate Belimo actuator assembly (see tables on pages 2, 3 and 4).

If replacing a **Belimo actuator and crank arm assembly or actuator bracket**, use the appropriate part from current production (see tables on pages 2, 3 and 4).

Navigation Key

1. Find the page for the correct basic unit (WG, Q-TEC, etc.) from the list provided below.
2. Determine which actuator family the customer has (Belimo, Honeywell Diamond, Honeywell Black Box).
3. Refer to the section for the proper actuator family to find available replacement parts.

For WG models, see page 2.

For TS/TH/CH/WA/SH models, see page 3.

For Q-TEC QWS/QC models, see page 4.



Climate Control Solutions

Bard Manufacturing Company, Inc.
Bryan, Ohio 43506
www.bardhvac.com

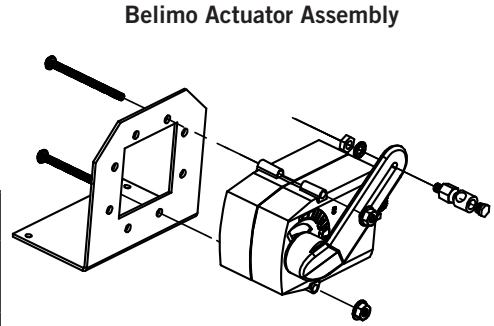
Manual: 7960-934B
Supersedes: 7960-934A
Date: 2-21-23

WG Models

Belimo Actuator

If the V option CRV was produced after 8/10/22, it will most likely have a Belimo actuator assembly (see image). These include the vent models and assembly numbers listed in the table. Use replacement part numbers listed in table.

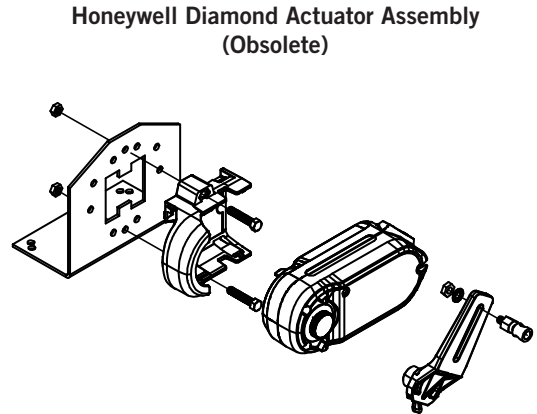
Original Assemblies		Available Service Parts		
Vent Model	Vent Assembly	Actuator Bracket	Actuator Motor & Hardware	Entire Actuator Assembly
WGCRVS-3C	920-0565	113-962BX	8602-117BX	910-2230BX
WGCRVS-5C	920-0566	113-962BX	8602-117BX	910-2230BX
WGSCRVMP-5A	920-0570	113-962BX	8602-117BX	910-2230BX



Honeywell Diamond Actuator

If the V option CRV was produced between 12/31/21 and 8/10/22, it will most likely have a Honeywell Diamond actuator assembly (see image). These include the vent models and assembly numbers listed in the table. Please use the new Belimo 910- assemblies listed as drop-in replacement for the Diamond actuator or any associated parts.

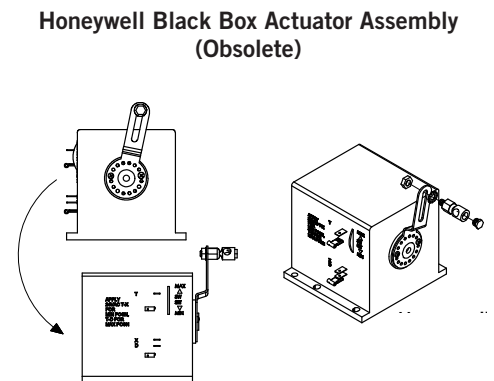
Original Assemblies		Available Service Parts
Vent Model	Vent Assembly	Entire Actuator Assembly (Use to replace 910-2187, 8602-114 or 8602-115)
WGCRVS-3C	920-0533	910-2230BX
WGCRVS-5C	920-0532	910-2230BX
WGSCRVMP-5A	920-0537	910-2230BX



Honeywell Black Box Actuator

If the V option vent was produced before 12/31/21, it will most likely have one of the Honeywell Black Box actuator models listed in the table. Use replacement motors from service stock until depleted. If stock is depleted, use the associated replacement kit number in table.

Original Assemblies & Part Numbers				Available Service Parts
Vent Model	Vent Assembly	Bard Part #	Honeywell Black Box Part #	Actuator Replacement Kit
WGCRVS-3B	920-0060	8602-020	M8405A1006	8620-353
WGCRVS-5B	920-0058	8602-020	M8405A1006	8620-353
WGSCRVMP-5	920-0042	8602-037	M7415A1004	8620-354



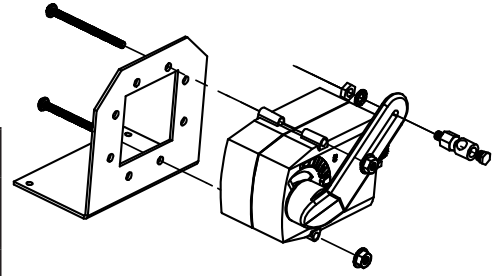
MIS-4389

TS/TH/CH/WA/SH Models

Belimo Actuator

If the V option CRV was produced after 8/10/22, it will most likely have a Belimo actuator assembly (see picture). These include the vent models and assembly numbers listed in the table. Use replacement part numbers listed in table.

Belimo Actuator Assembly

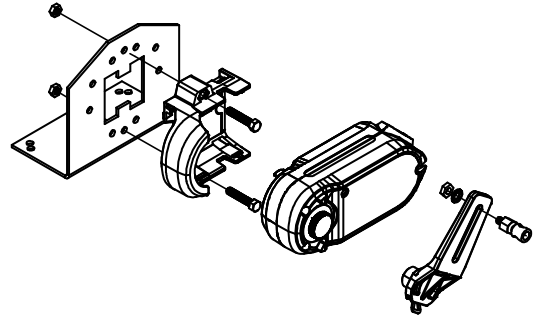


Original Assemblies		Available Service Parts		
Vent Model	Vent Assembly	Actuator Bracket	Actuator Motor & Hardware	Entire Actuator Assembly
CRVS-3A	920-0567	113-965BX	8602-117BX	910-2231BX
CRVS-5A	920-0568	113-962BX	8602-117BX	910-2230BX
CHCRV-5A	920-0569	113-964BX	8602-117BX	910-2232BX

Honeywell Diamond Actuator

If the V option CRV was produced between 2/28/22 and 8/10/22, it will most likely have a Honeywell Diamond actuator assembly (see picture). These include the vent models and assembly numbers listed in the table. Please use the new Belimo 910-assemblies listed as drop-in replacement for the Diamond actuator or any associated parts.

Honeywell Diamond Actuator Assembly (Obsolete)

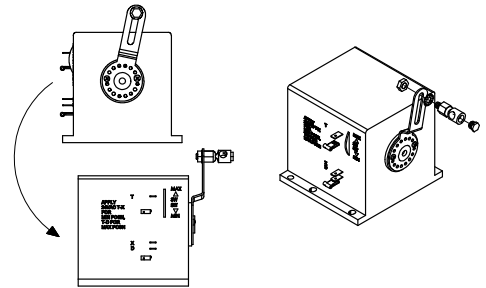


Original Assemblies		Available Service Parts
Vent Model	Vent Assembly	Entire Actuator Assembly (Use to replace 910-2187, 910-2192, 910-2193, 8602-114 or 8602-115)
CRVS-3A	920-0534	910-2231BX
CRVS-5A	920-0535	910-2230BX
CHCRV-5A	920-0536	910-2232BX

Honeywell Black Box Actuator

If the V option vent was produced before 2/28/22, it will most likely have one of the Honeywell Black Box actuator models listed in the table. Use replacement motors from service stock until depleted. If stock is depleted, use the associated replacement kit number in table.

Honeywell Black Box Actuator Assembly (Obsolete)



Original Assemblies & Part Numbers				Available Service Parts
Vent Model	Vent Assembly	Bard Part #	Honeywell Black Box Part #	Actuator Replacement Kit
CRVS-3	920-0004	8602-020	M8405A1006	8620-353
CRVS-5	920-0009	8602-020	M8405A1006	8620-353
CRVMWH-3	920-0090	8602-017	M7415A1006	8620-354
--	920-0268	8602-020	M8405A1006	8620-353
CHCRV-5	920-0040	8602-017	M7415A1006	8620-354

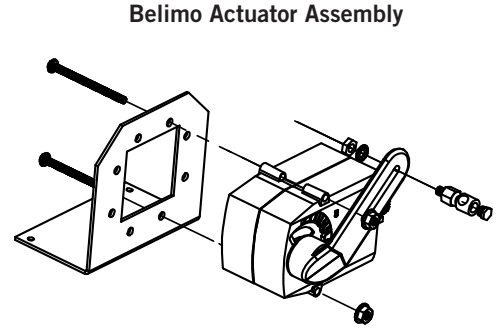
MIS-4390

Q-TEC QWS/QC Models

Belimo Actuator

If the V option CRV was produced after 8/10/22, it will most likely have a Belimo actuator assembly (see picture). These include the vent models and assembly numbers listed in the table. Use replacement part numbers listed in table.

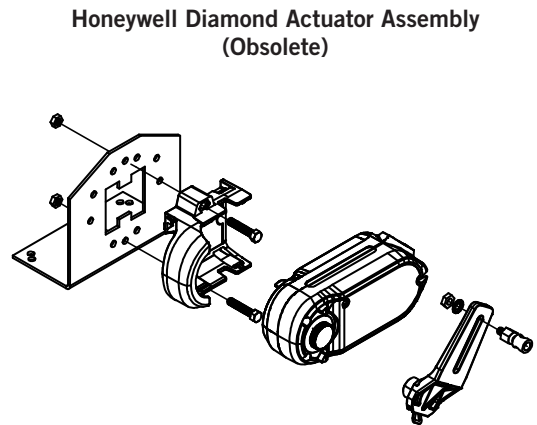
Original Assemblies		Available Service Parts		
Vent Model	Vent Assembly	Actuator Bracket	Actuator Motor & Hardware	Entire Actuator Assembly
QWSCRV	920-0571	113-962BX	8602-117BX	910-2233BX
QCRV-4	920-0572	113-962BX	8602-117BX	910-2233BX



Honeywell Diamond Actuator

If the V option CRV was produced between 4/11/22 and 8/10/22, it will most likely have a Honeywell Diamond actuator assembly (see picture). These include the vent models and assembly numbers listed in the table. Please use the new Belimo 910-assemblies listed as drop-in replacement for the Diamond actuator or any associated parts.

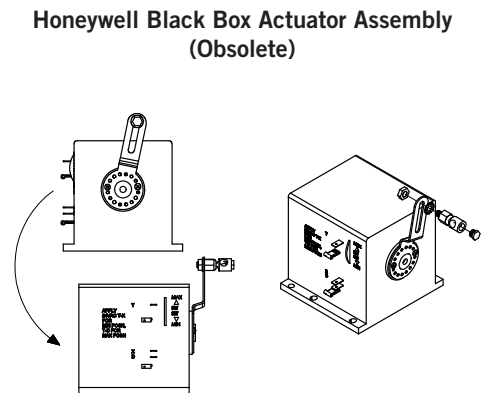
Original Assemblies		Available Service Parts
Vent Model	Vent Assembly	Entire Actuator Assembly (Use to replace 910-2201, 8602-114 or 8602-115)
QWSCRV	920-0538	910-2233BX
QCRV-4	920-0540	910-2233BX



Honeywell Black Box Actuator

If the V option vent was produced before 4/11/22, it will most likely have one of the Honeywell Black Box actuator models listed in the table. Use replacement motors from service stock until depleted. If stock is depleted, use the associated replacement kit number in table.

Original Assemblies & Part Numbers				Available Service Parts
Vent Model	Vent Assembly	Bard Part #	Honeywell Black Box Part #	Actuator Replacement Kit
QWSCRV	920-0063	8602-017	M7415B1004	8620-354
QCRV-4	962138	8602-020	M8405A1006	8620-353



MIS-4391