



WGWC3 WALL CURB - For Use With WG24-30-36 Models In Replacing WAG30-36-40 Series Models

These wall curbs are specially designed for use with new WG24-30-36 models in replacing older WAG-Series Bard gas/electric models when it is not possible or desirable to relocate the return air opening. The return air opening on the WG24-30-36 models is the same size (14 x 28) as the older WAG-Series models, but is located 12 inches lower than the WAG-Series models.

The use of the WGWC3 Wall Curb permits the WG24-30-36 models to be located and mounted over the existing wall openings without having to make expensive wall modifications. It can also be used to install the WG24-30-36 models in place of Bard 2.5 or 3 ton all electric air conditioners or heat pumps that have been manufactured for over 30 years. Most competitive brands of wall-mounted equipment have the same wall opening sizes as Bard, and the WG-Series models with WGWC3 curb can be used to replace those systems as well. **See Figure 1.**

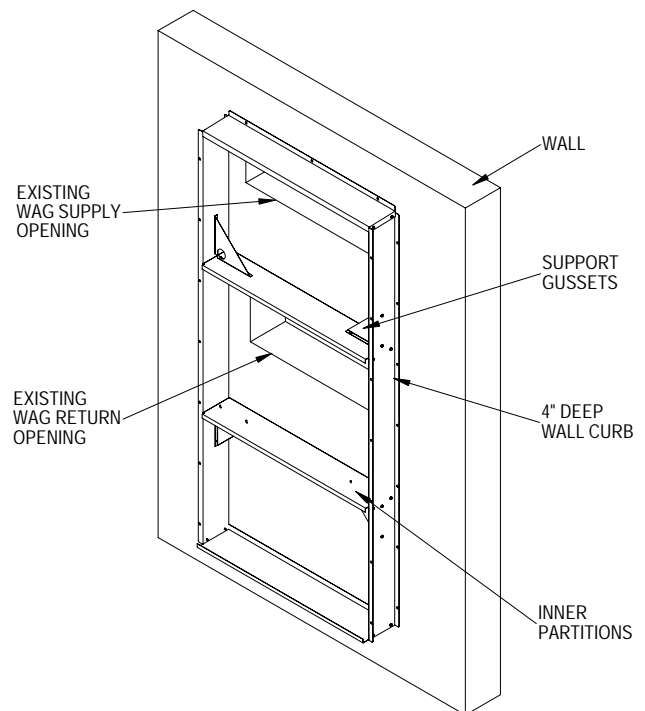
It is very important that a supply duct connection be extended through the wall curb and wall itself, and that the 1-inch clearance be maintained if combustible materials are used in the wall structure. **See Figure 2.**

Wall Curb Models Available		
For Use To Replace Any of These Models	Curb Model Number	Curb Color
WAG30, 36, 40, WA / WL30, 36, 37, WH30, 36	WGWC3-X WGWC3-4 WGWC3-8	Beige Gray Dark Bronze

① Select wall curb to match color of new WG unit.

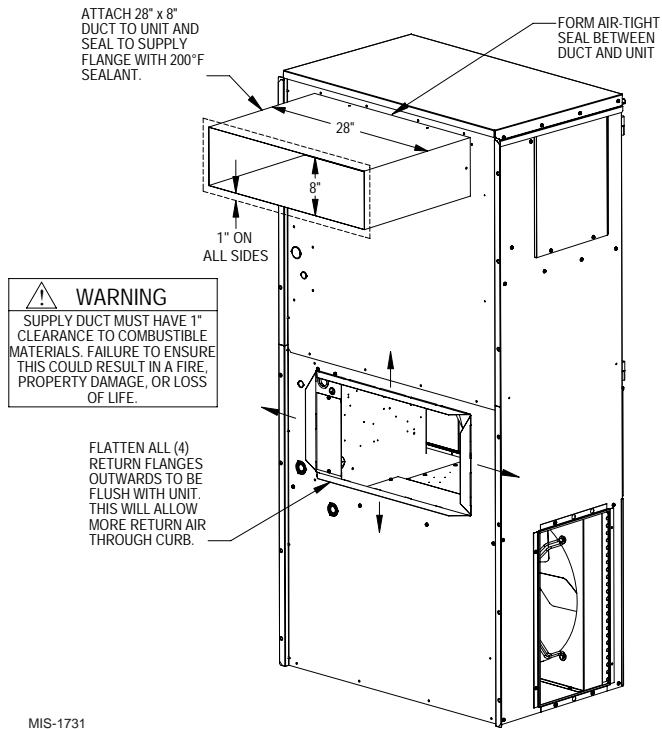
- Note:**
1. All curbs are 4 inches deep to provide proper airflow.
 2. Curbs are shipped knocked down. Assemble with screws provided.
 3. Hardware for securing air conditioner to curb is included.
 4. Fasteners to secure curb to wall must be field supplied.
 5. Field supplied sealant required where curb meets wall structure and across the top between unit and curb.
 6. Curbs are insulated in all critical areas.

FIGURE 1
3 TON WG WALL CURB



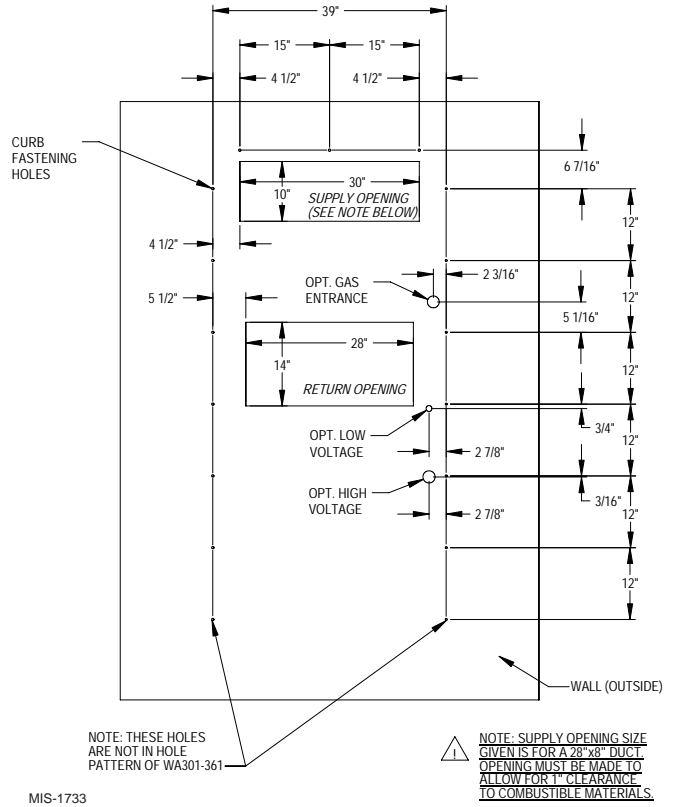
MIS-1785

**FIGURE 2
UNIT MOUNTING PREPARATION**

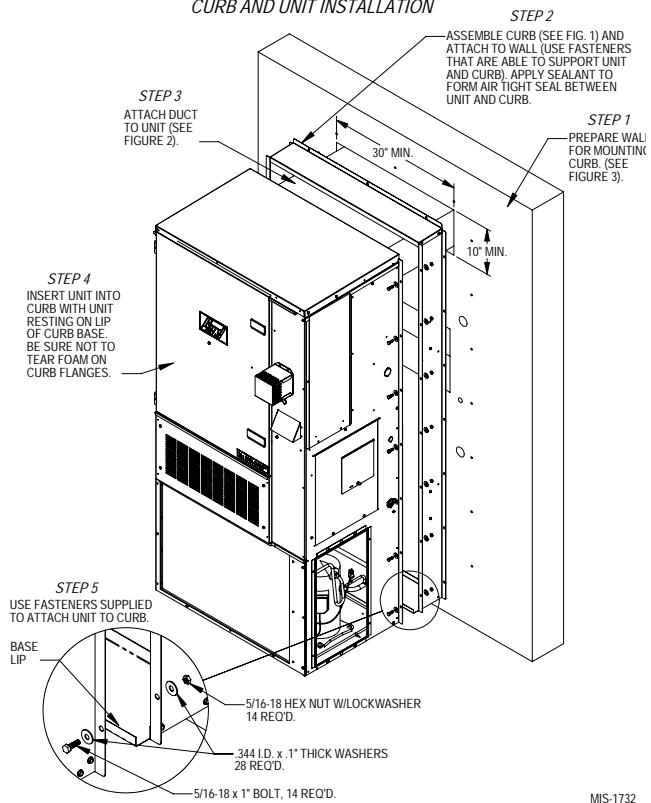


BACK OF WG UNIT

**FIGURE 3
WALL PREPARATION**



**FIGURE 4
CURB AND UNIT INSTALLATION**



**FIGURE 5
CAULKING TOP OF UNIT AND WALL CURB**

