



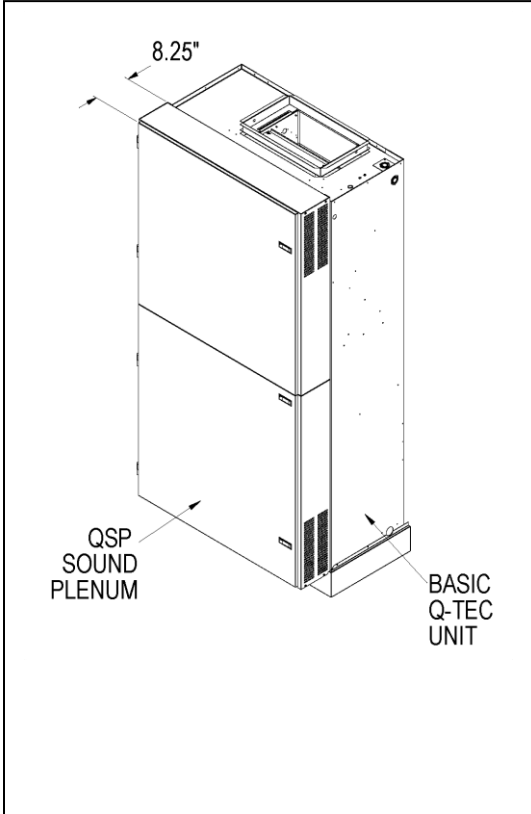
# QSP Series Sound Plenum For Q-Tec QA / QC / QH / QW Series Units

**Applications:**

- QA24–QA60 Series Q-Tec Air Conditioners
- QC501 Series Q-Tec Chilled Water Units
- QH24–QH60 Series Q-Tec Air-to-Air Heat Pumps
- QW24–QW60 Series Q-Tec Water-to-Air Heat Pumps

**Features:**

- Two Plenum Finishes To Match Unit Cabinets
  - Vinyl or Painted Steel
- Compatible With New or Existing Units
- Removable Cam Lock Hinge Doors
- Easy Unit Service Access
- Sound Absorbing Insulation
- Reduces Equipment dBA Operating Levels
  - Up to 5 dBA with Energy Recovery Ventilator option.
  - Provides general muffling of basic unit operation.
  - Actual sound reduction many vary depending on system operating conditions and other site variables.



The QSP3 - QSP5 Series Sound Plenum has been designed for use with ALL Bard Q-Tec Series units, both Generation I and Generation II systems. Installation is quick and easy with removal/replacement of six existing screws from the unit cabinet. (See installation instructions 7960-518 for complete details) Once installed the sound plenum enhances the current quiet operation of the Q-Tec Series units, and the hinged door with cam locks provides easy access to the basic Q-Tec system. Model selection is based on equipment cabinet size and finish.

Sound Plenum Pt#	Cabinet Finish	Equipment Selection
QSP3-4	Painted Steel – Gray	QA/QH24-42 QC/QW24-60
QSP3-V	Texture Vinyl <sup>1</sup>	QA/QH24-42 QC/QW24-60
QSP5-4	Painted Steel – Gray	QA/QH48-60
QSP5-V	Texture Vinyl <sup>1</sup>	QA/QH48-60

<sup>1</sup>Front Panels Slate Finish, Side Panels Platinum Gray matching Q-tec vinyl cabinet finishes.

Form F1849-904