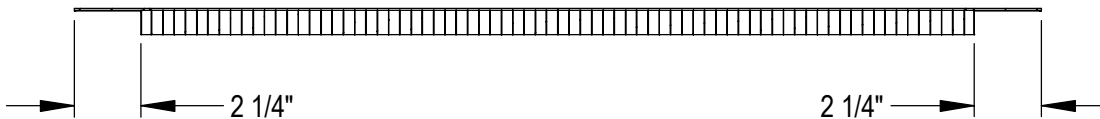
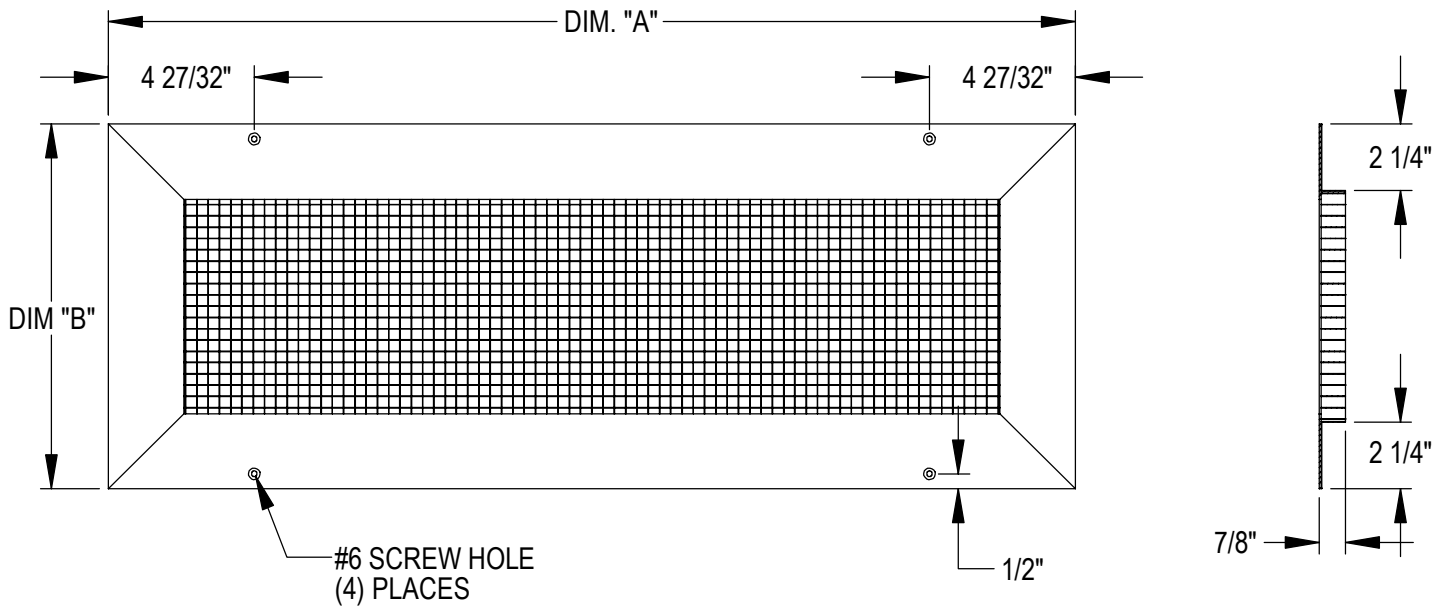


"RGR" Series Return Air Grilles



Grille Size Chart			
Grille part number	Use with unit(s)	Dim. "A"	Dim. "B"
RGR-3W (8"x28")	HR35, WR35	32.125	12.125
RGR-5W (10"x30")	HR36, WR36, HR58, WR58	34.250	14.250

Standard industry tolerances apply. Specs. are subject to change without notice.

Construction: Aluminum frame - white finish.

MIS-3914

Job Name:	Architect:
Location:	Engineer:
	Contractor: