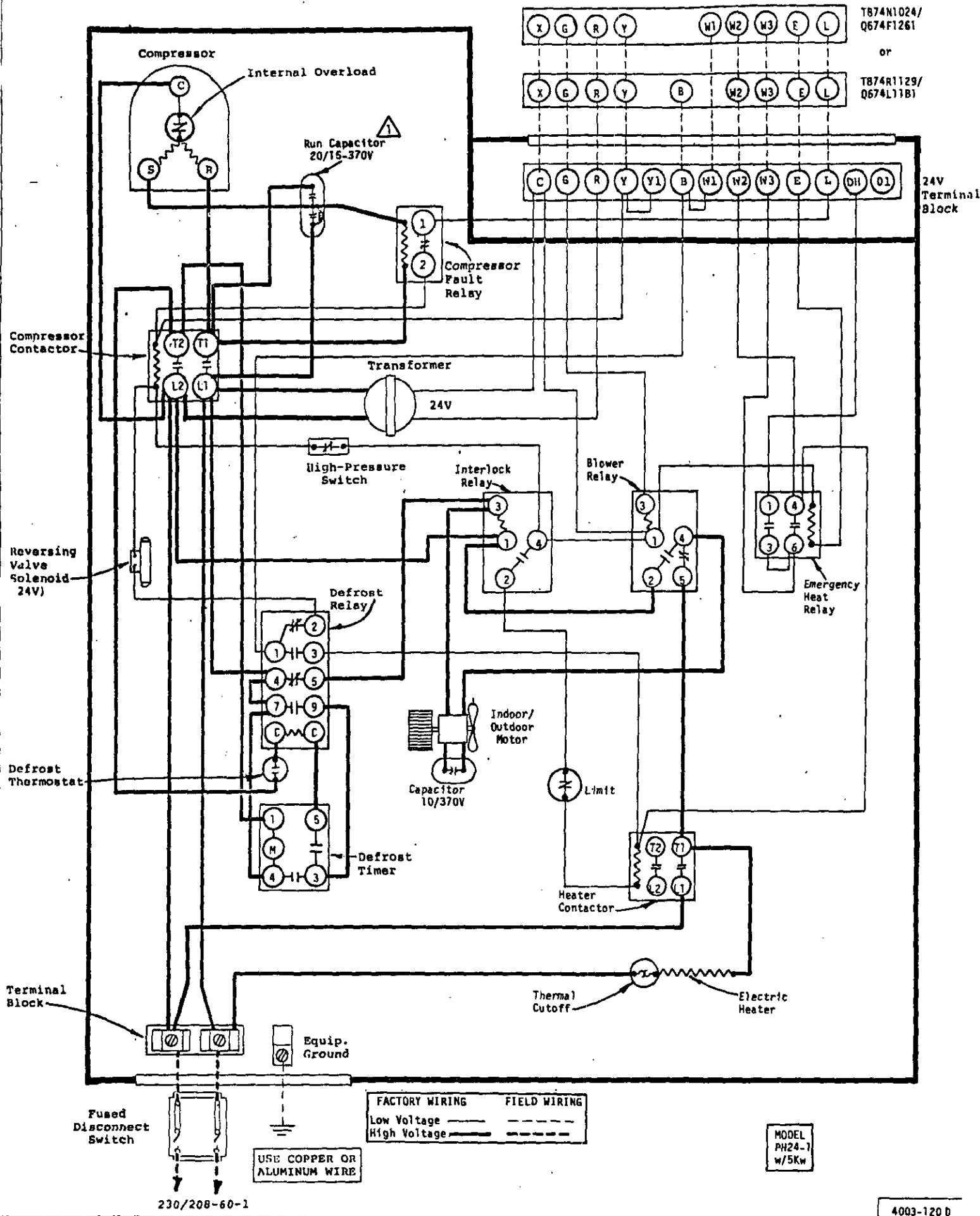


⚠ Capacitor provides off-cycle crankcase heat.



T874N1024/
Q674F1261
or
T874R1129/
Q674L1181

24V
Terminal
Block

FACTORY WIRING FIELD WIRING
Low Voltage ———
High Voltage - - - -

MODEL
PH24-1
w/5Kw

USE COPPER OR
ALUMINUM WIRE

230/208-60-1

4003-120 D