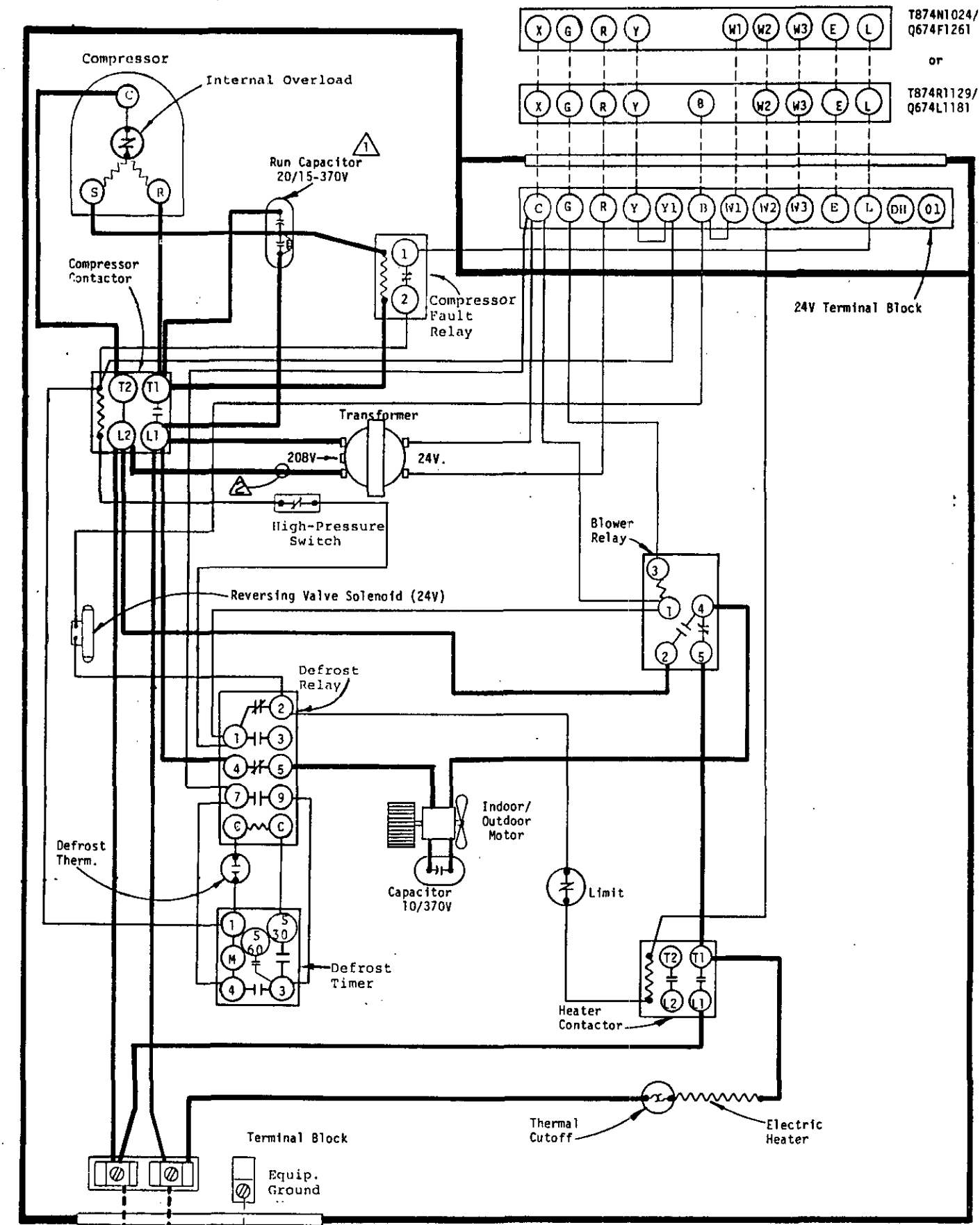


⚠ Capacitor provides off-cycle crankcase heat.

⚠ For 208V operation move this wire to 208V transformer tap.



T874N1024/
Q674F1261
or
T874R1129/
Q674L1181

Fused Disconnect Switch

USE COPPER OR ALUMINUM WIRE

FACTORY WIRING	FIELD WIRING
Low Voltage	-----
High Voltage	- - - - -

MODEL PH24-2 w/5Kw