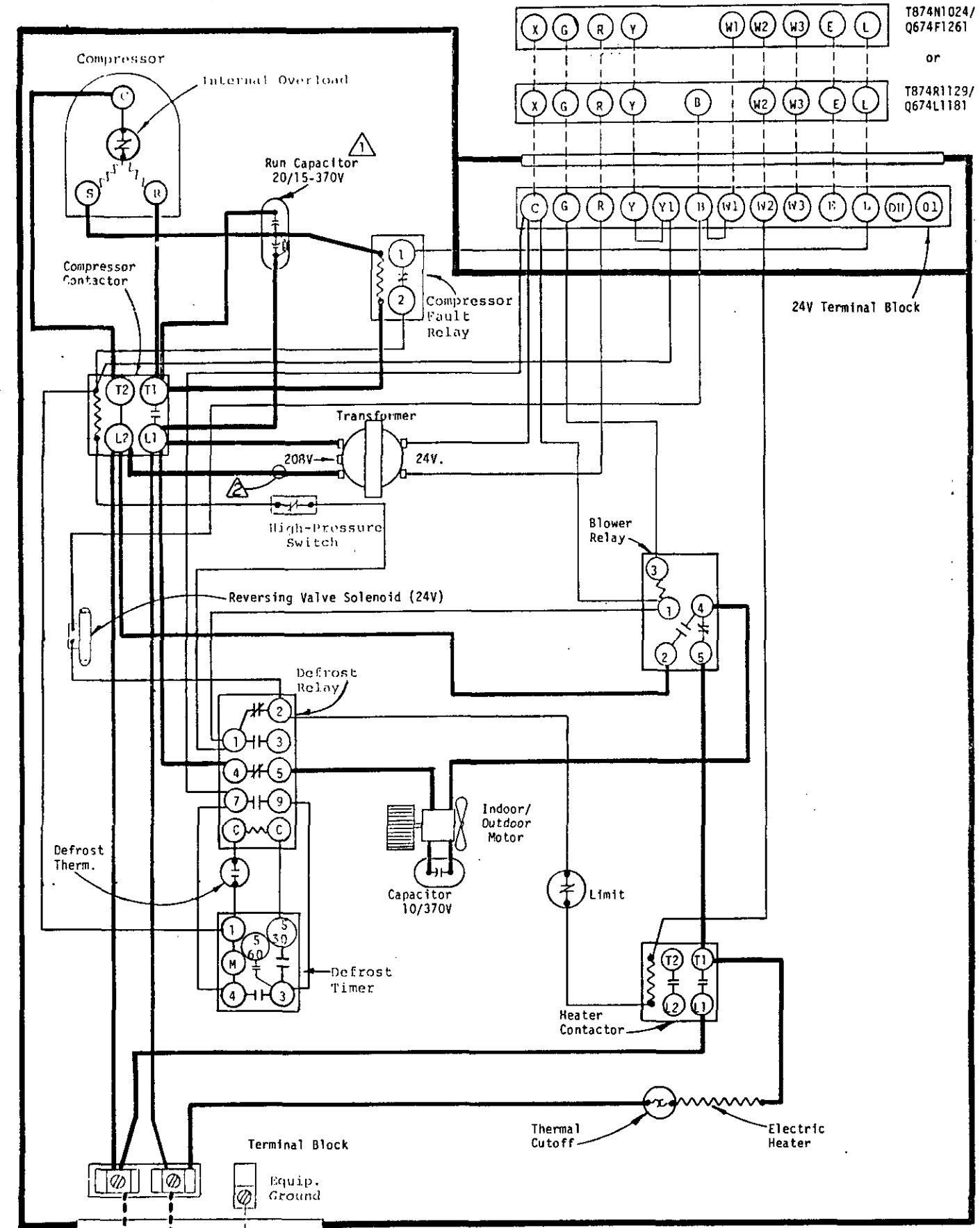


⚠ Capacitor provides off-cycle crankcase heat.

⚠ For 208V operation move this wire to 208V transformer tap.



T874N1024/
Q674F1261
or
T874R1129/
Q674L1181

USE COPPER OR ALUMINUM WIRE

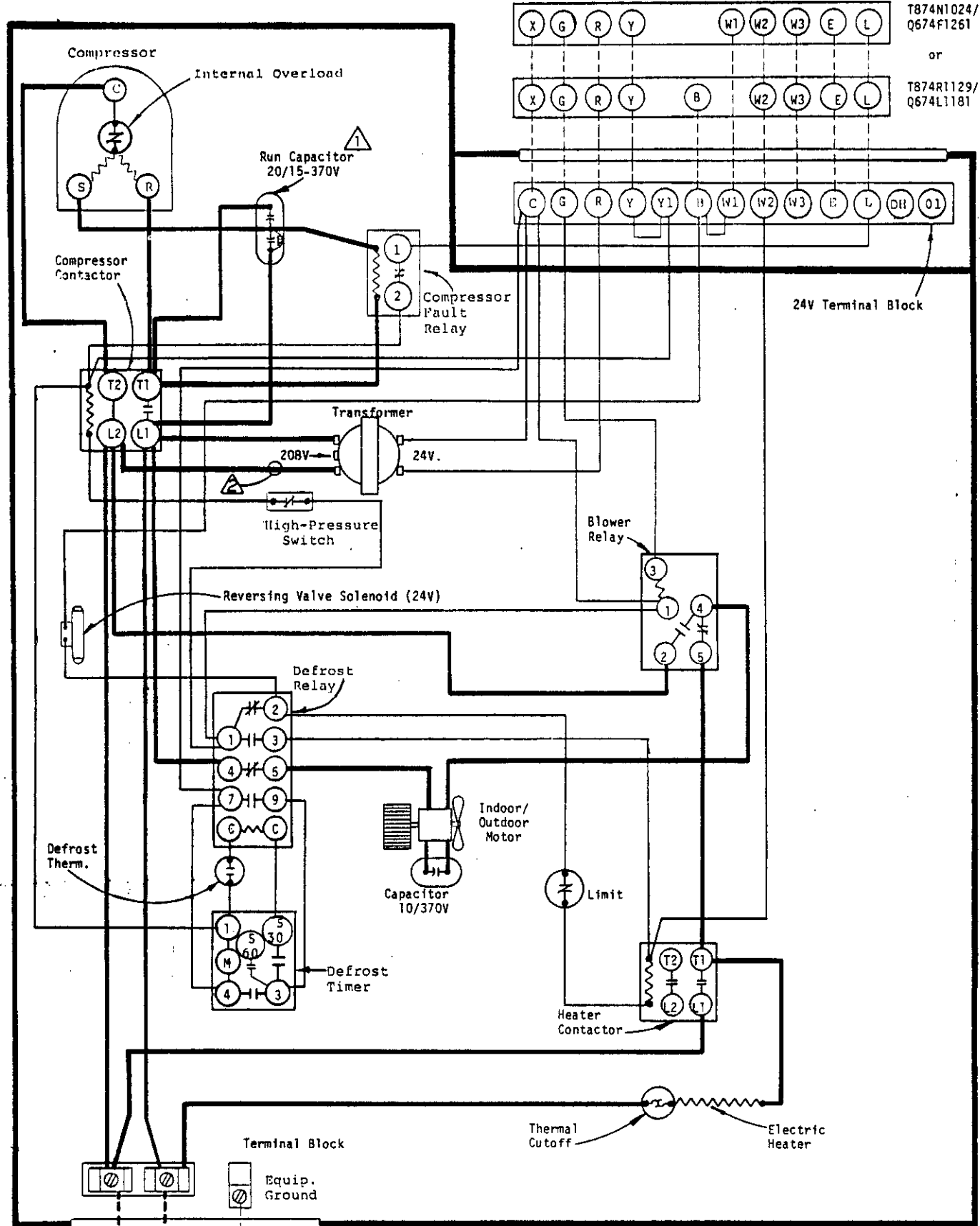
FACTORY WIRING	FIELD WIRING
Low Voltage	-----
High Voltage	-----

MODEL
PH24-2
w/5kw

1003-120T

⚠ Capacitor provides off-cycle crankcase heat.

⚠ For 208V operation move this wire to 208V transformer tap.



T874N1024/
Q674F1261

or

T874R1129/
Q674L1181

24V Terminal Block

Fused Disconnect Switch

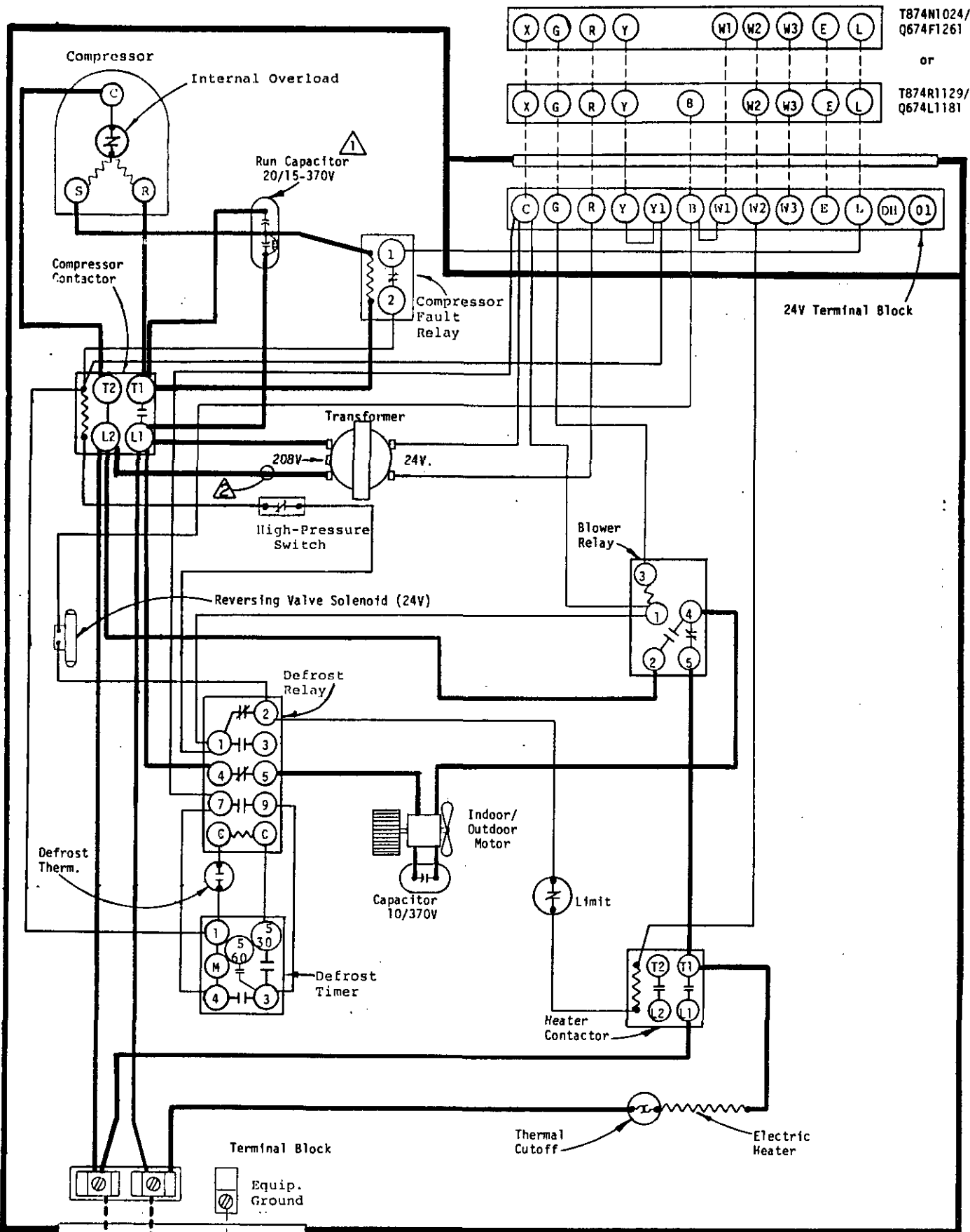
USE COPPER OR ALUMINUM WIRE

	FACTORY WIRING	FIELD WIRING
Low Voltage	————	-----
High Voltage	————	-----

MODEL
PH24-2
w/5Kw

⚠ Capacitor provides off-cycle crankcase heat.

⚠ For 208V operation move this wire to 208V transformer tap.



T874N1024/
Q674F1261

or

T874R1129/
Q674L1181

24V Terminal Block

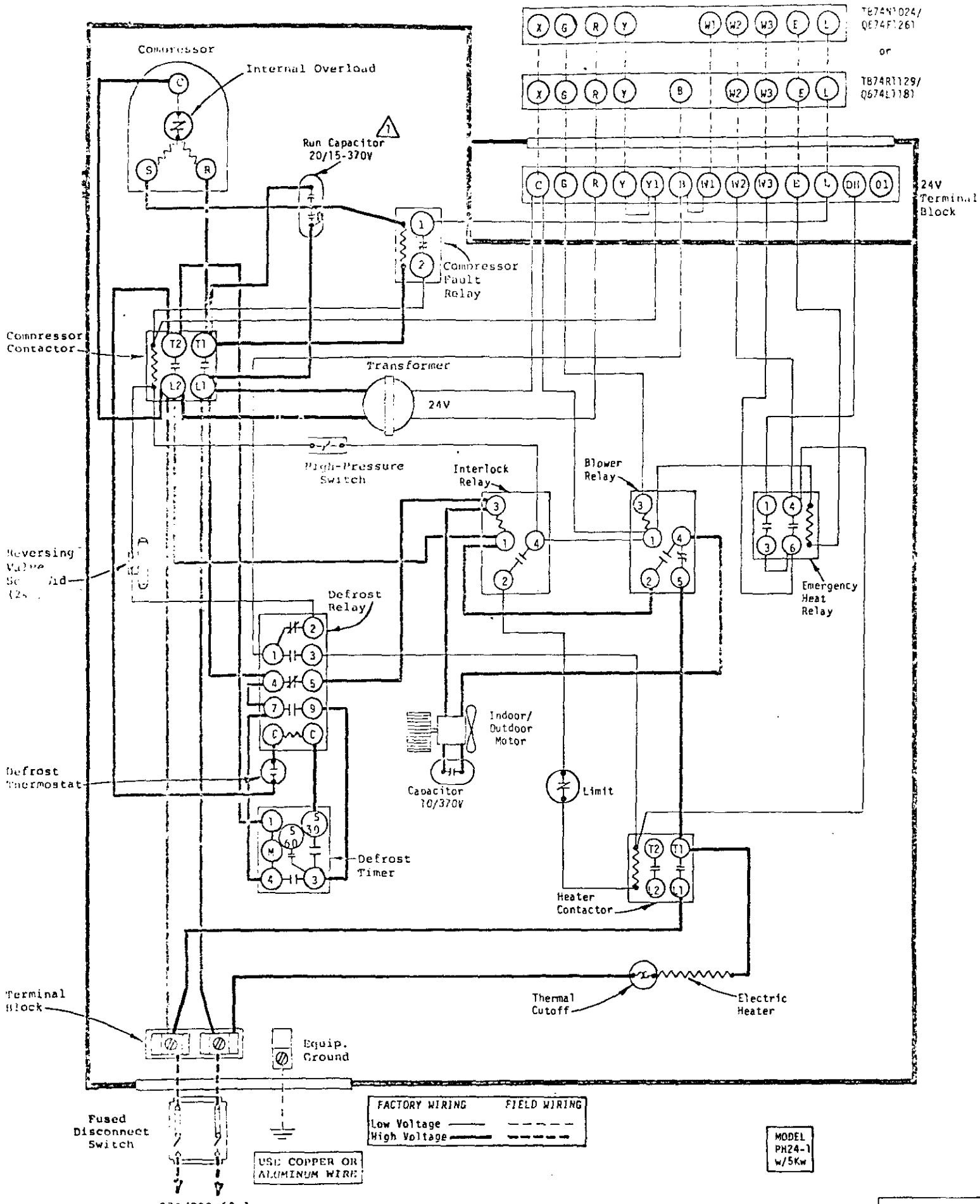
Fused Disconnect Switch

USE COPPER OR ALUMINUM WIRE.

FACTORY WIRING	FIELD WIRING
Low Voltage	-----
High Voltage	-----

MODEL
PH24-2
w/5Kw

△ Capacitor provides off-cycle crankcase heat.



T874N1024/
Q674F1261

or
T874R1129/
Q674L1181

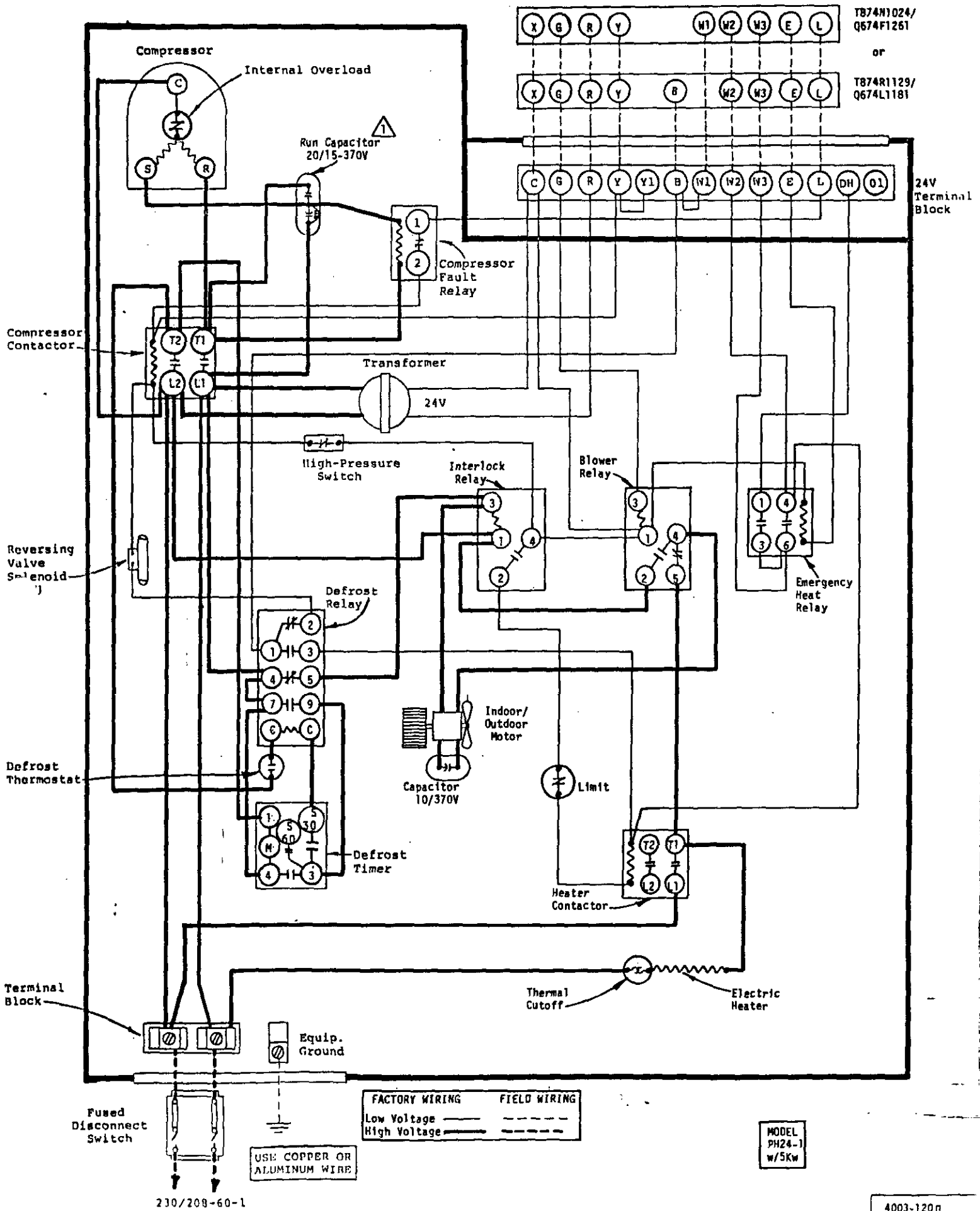
24V
Terminal
Block

FACTORY WIRING	FIELD WIRING
Low Voltage ———	-----
High Voltage ———	-----

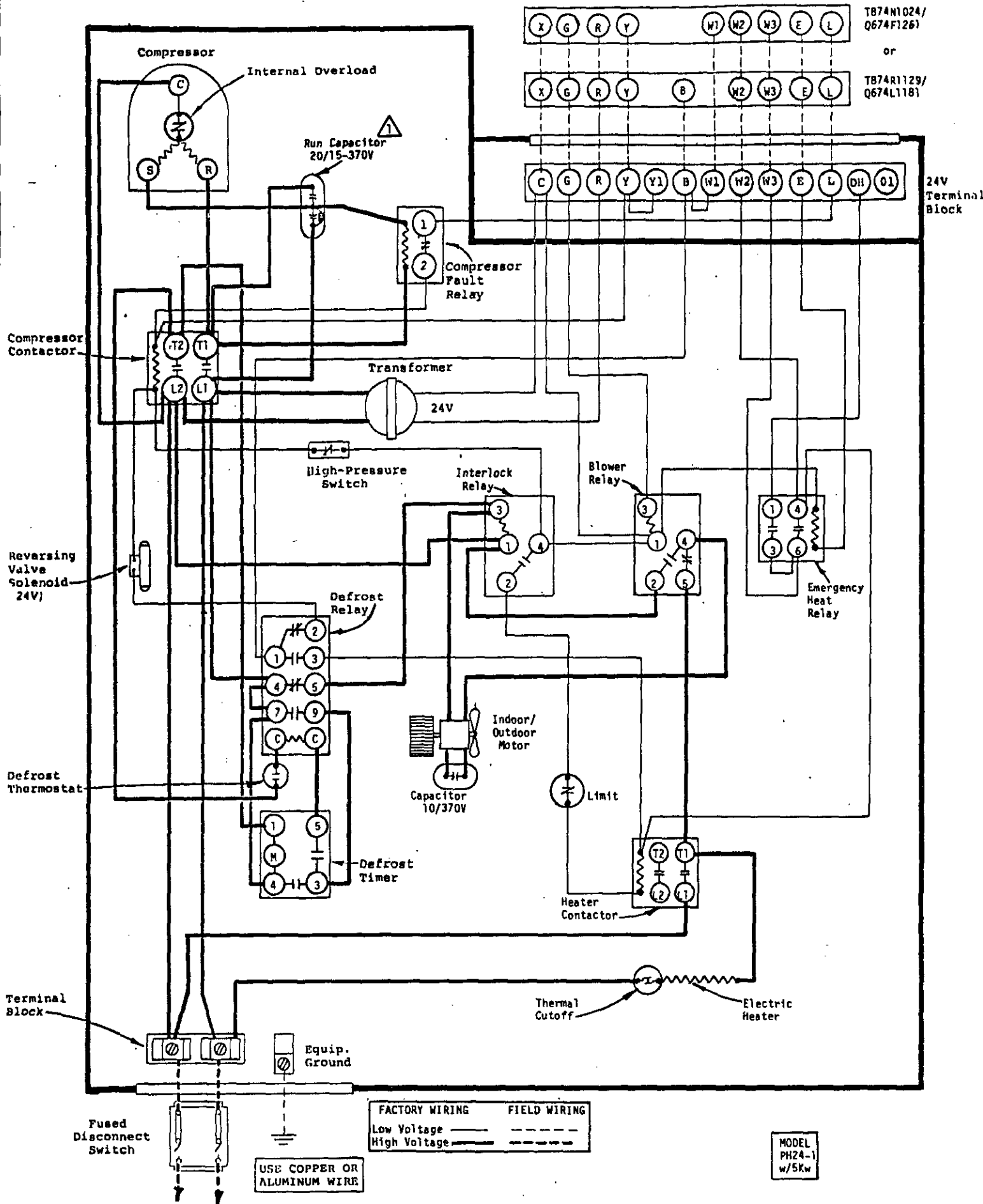
MODEL
PH24-1
w/5Kw

USE COPPER OR
ALUMINUM WIRE

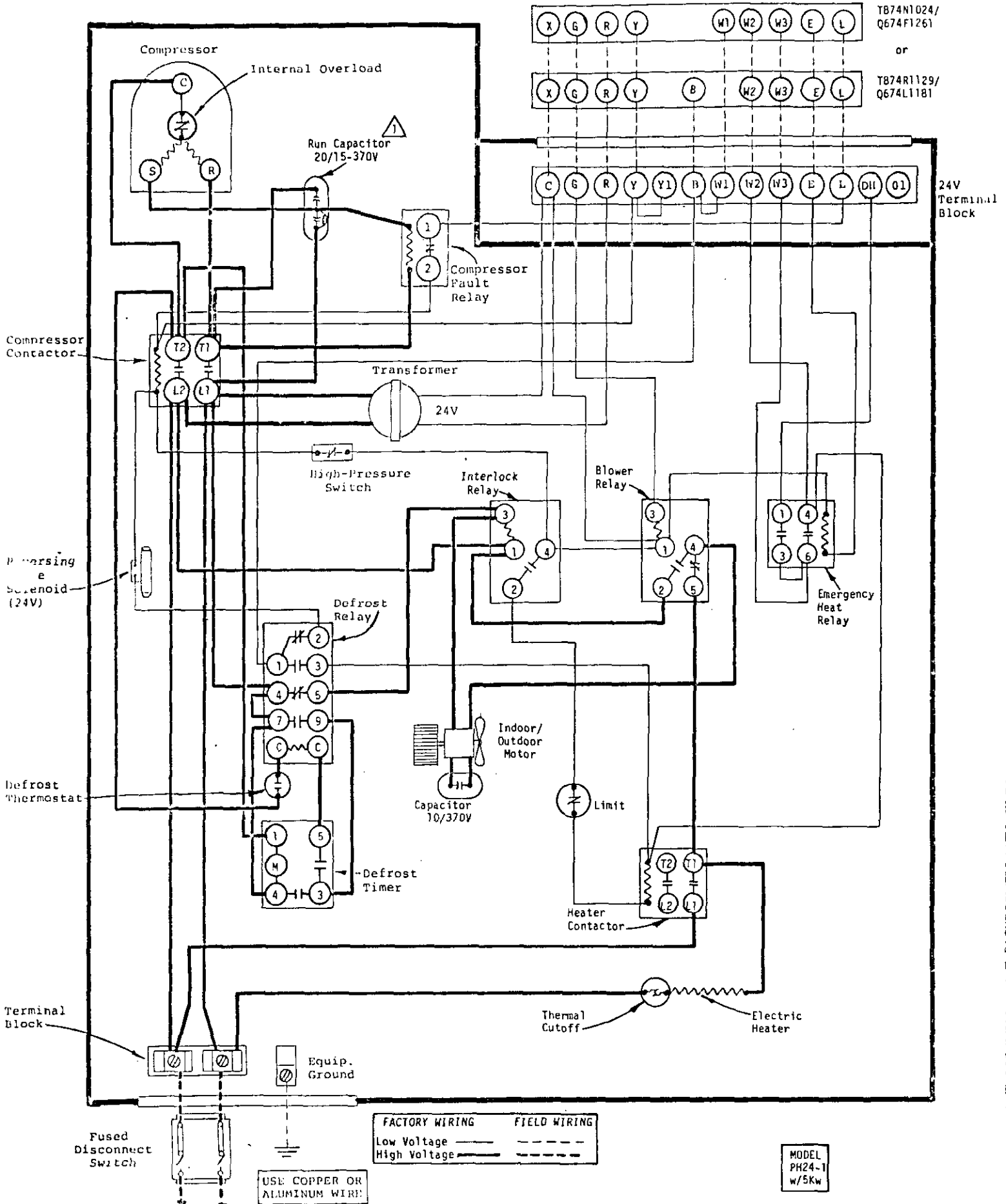
⚠ Capacitor provides off-cycle crankcase heat.

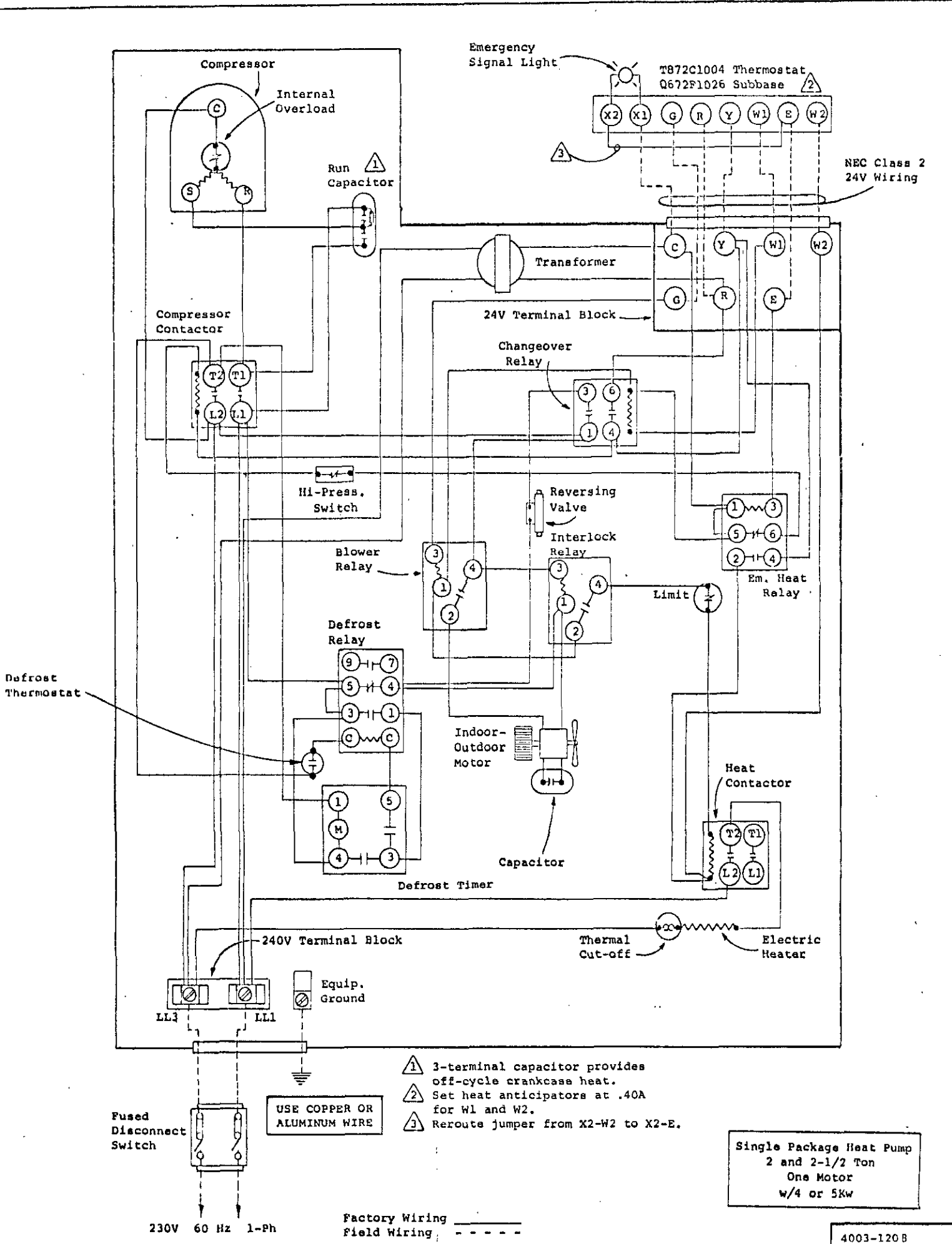


⚠ Capacitor provides off-cycle crankcase heat.



⚠ Capacitor provides off-cycle crankcase heat.





Emergency Signal Light

T872C1004 Thermostat
Q672F1026 Subbase

NEC Class 2
24V Wiring

Defrost Thermostat

- ⚠ 3-terminal capacitor provides off-cycle crankcase heat.
- ⚠ Set heat anticipators at .40A for W1 and W2.
- ⚠ Reroute jumper from X2-W2 to X2-E.

Single Package Heat Pump
2 and 2-1/2 Ton
One Motor
w/4 or 5kw

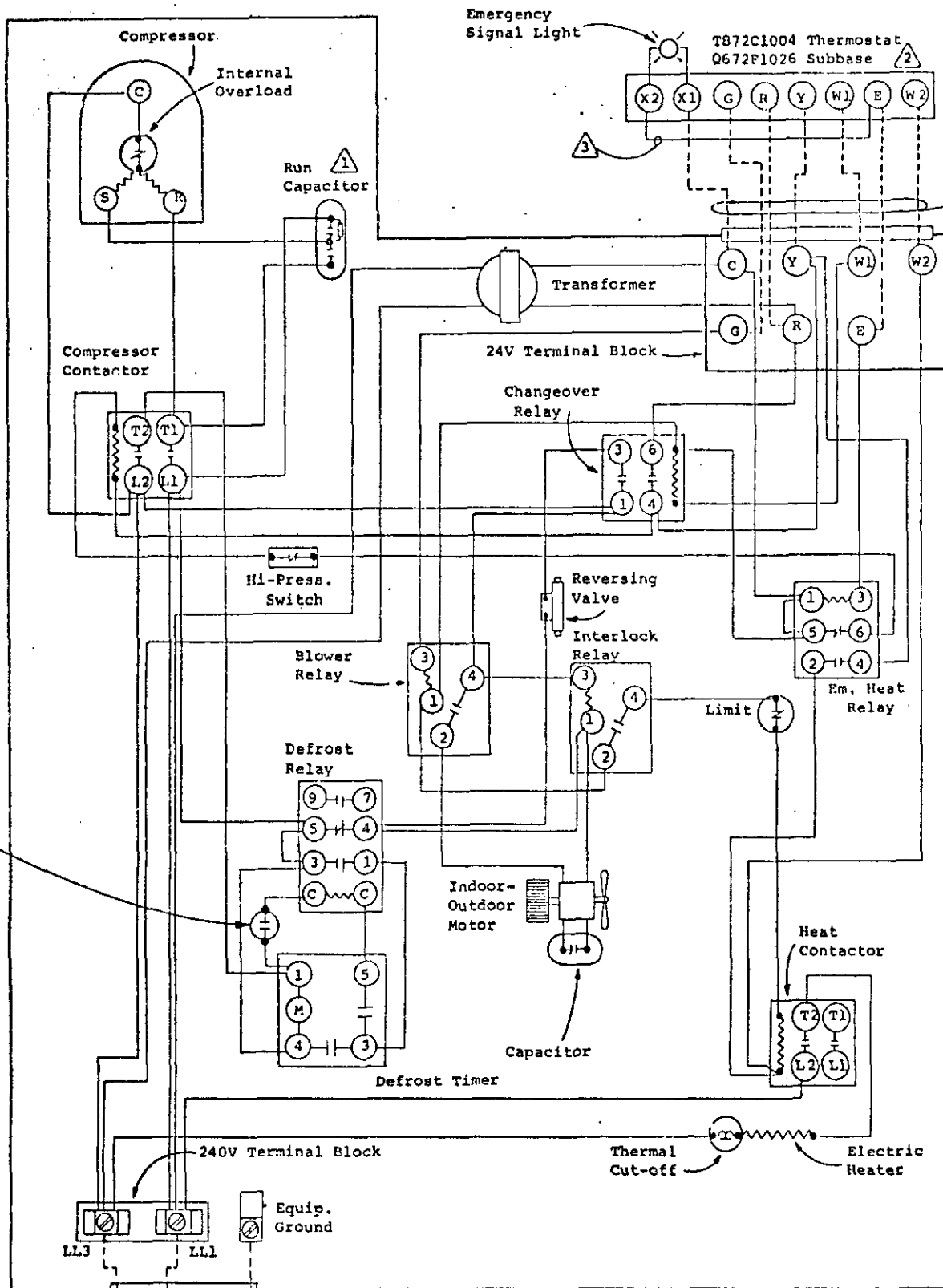
4003-120 B

Fused Disconnect Switch

USE COPPER OR ALUMINUM WIRE

230V 60 Hz 1-Ph

Factory Wiring ———
Field Wiring - - - - -



- ⚠ 3-terminal capacitor provides off-cycle crankcase heat.
- ⚠ Set heat anticipators at .40A for W1 and W2.
- ⚠ Reroute jumper from X2-W2 to X2-E.

Fused Disconnect Switch

USE COPPER OR ALUMINUM WIRE

Single Package Heat Pump
2 and 2-1/2 Ton
One Motor
w/4 or 5Kw

230V 60 Hz 1-Ph

Factory Wiring ———
Field Wiring - - - - -

4003-170 Rev.A