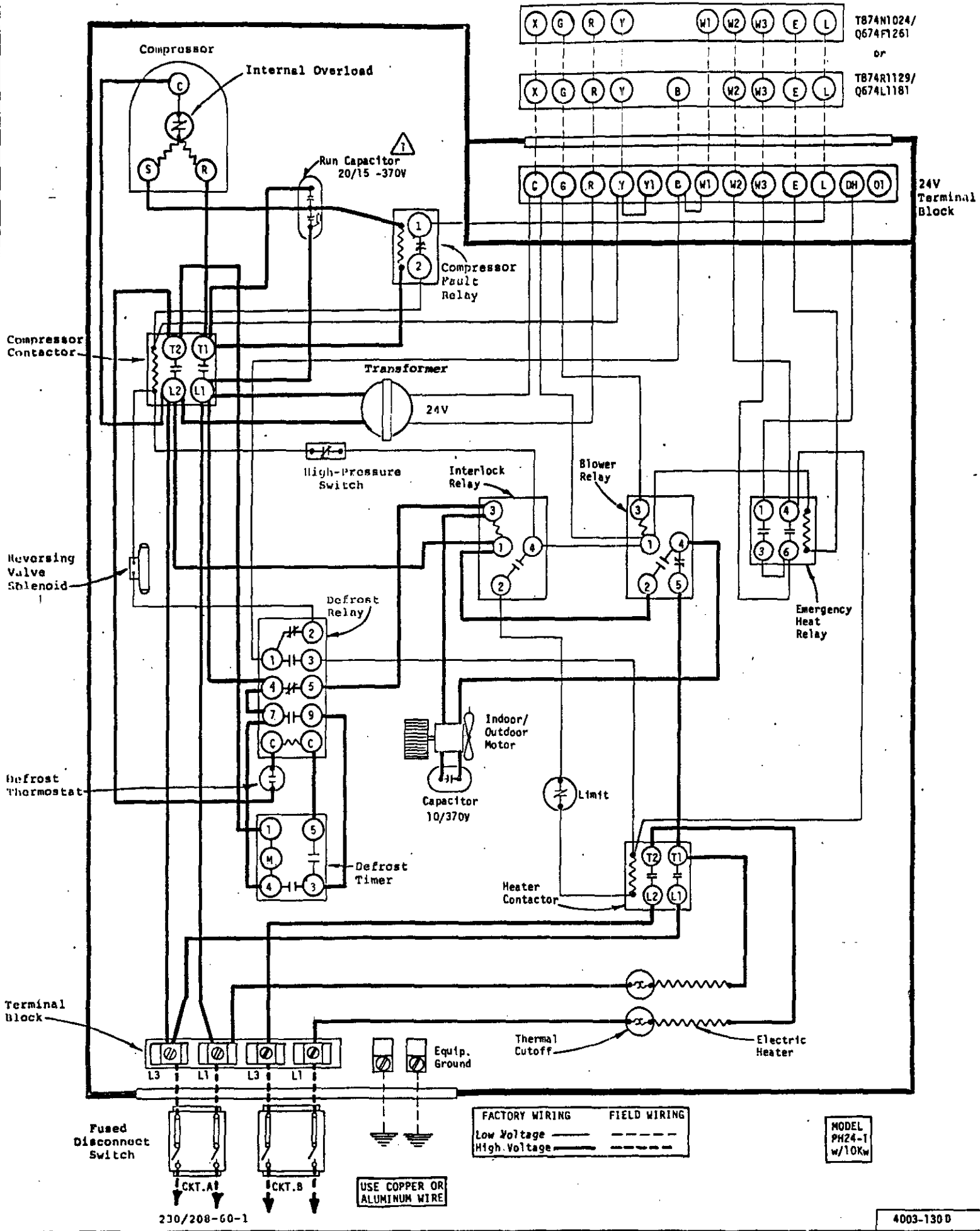


⚠ Capacitor provides off-cycle crankcase heat.



230/208-60-1

USE COPPER OR ALUMINUM WIRE

FACTORY WIRING FIELD WIRING
 Low Voltage High Voltage

MODEL
 PH24-1
 w/10Kw

4003-130 D