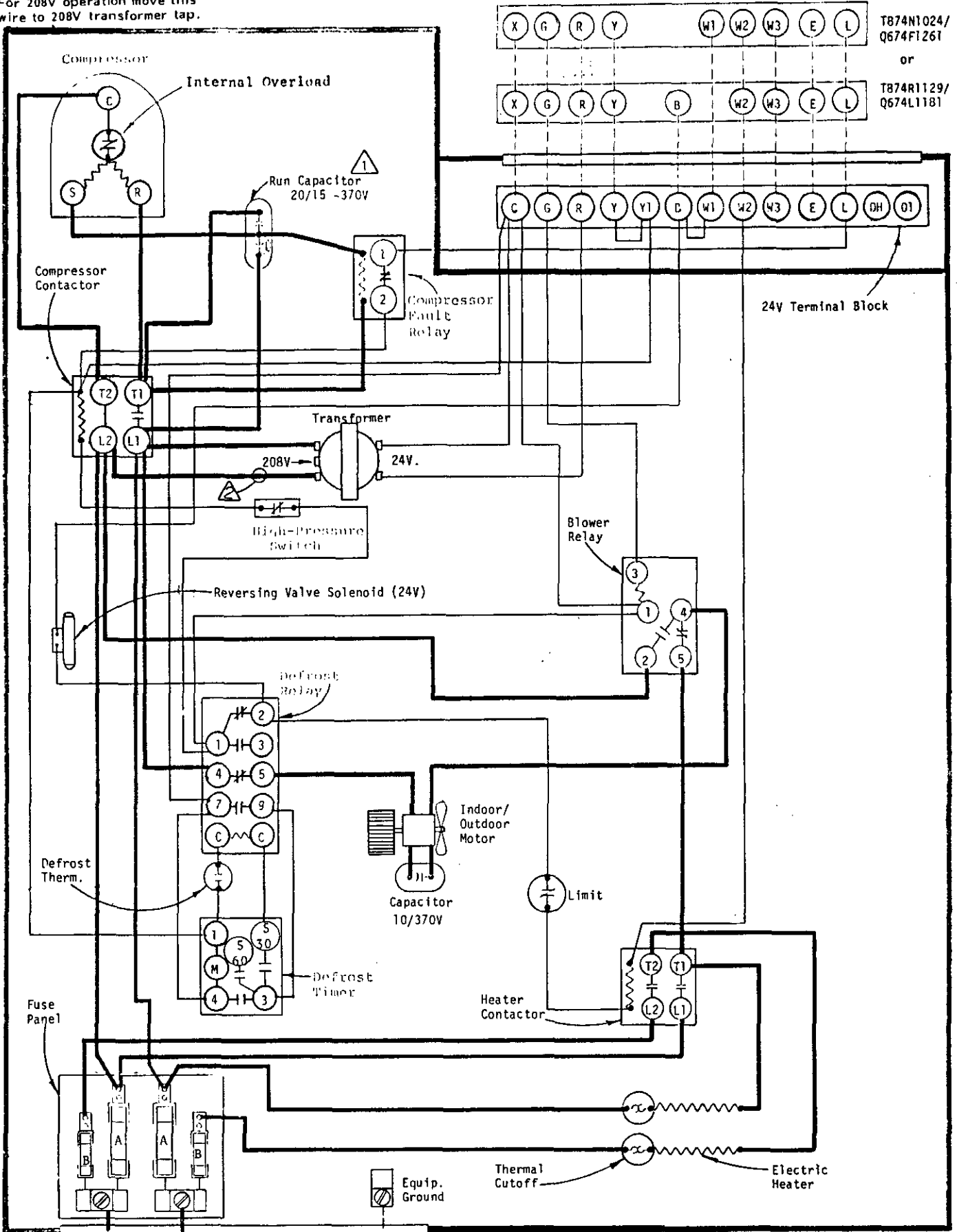


⚠ Capacitor provides off-cycle crankcase heat.

⚠ For 208V operation move this wire to 208V transformer tap.



230/208-60-1

USE COPPER OR ALUMINUM WIRE

FACTORY WIRING	FIELD WIRING
Low Voltage ———	-----
High Voltage ———	-----

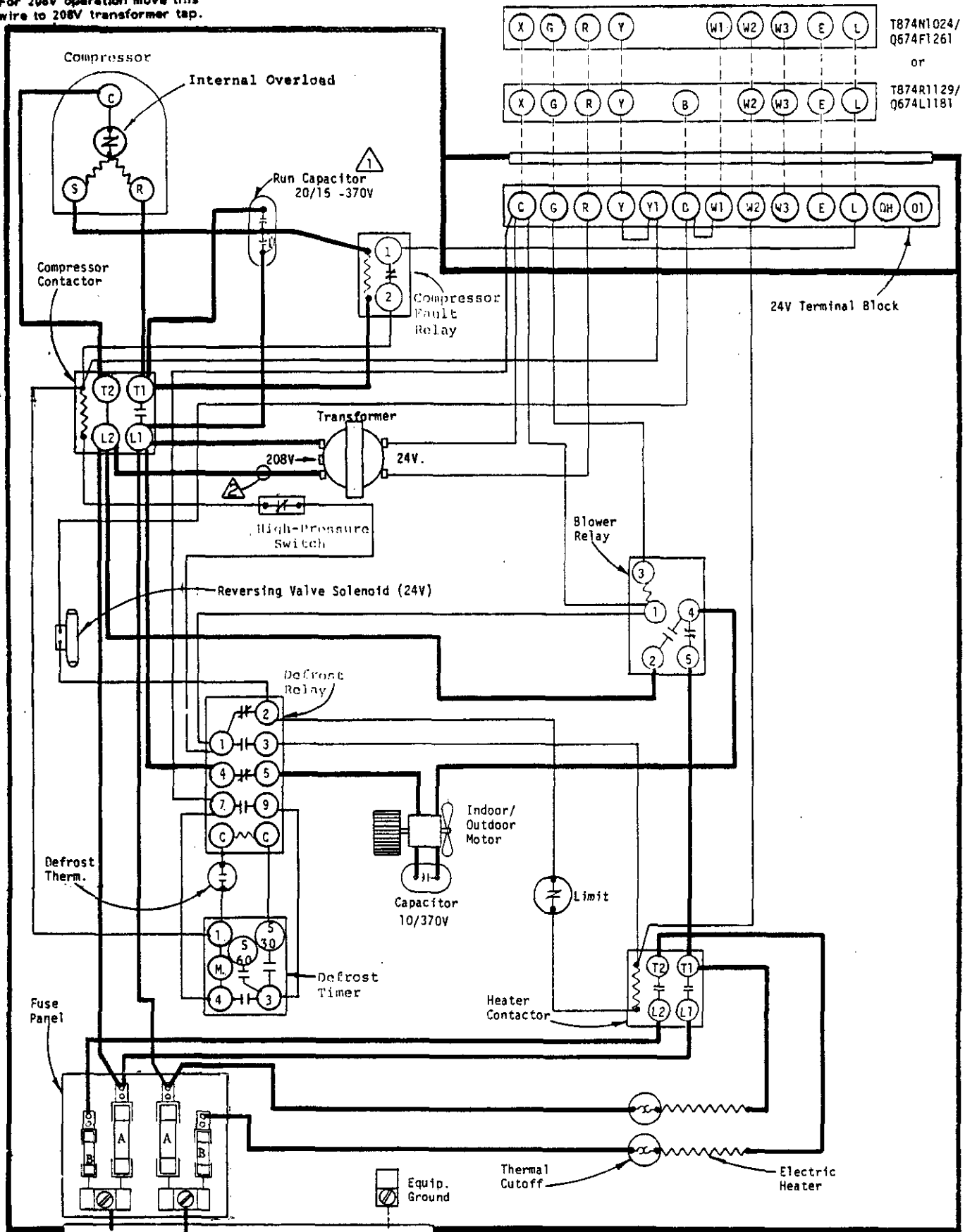
Fuse A - 60A Time Delay  
Fuse B - 30A Standard

MODEL PH24-2 w/10Kw

4003-1301

⚠ Capacitor provides off-cycle crankcase heat.

⚠ For 208V operation move this wire to 208V transformer tap.



FACTORY WIRING	FIELD WIRING
Low Voltage ———	-----
High Voltage ———	-----

MODEL  
PH24-2  
w/10Kw

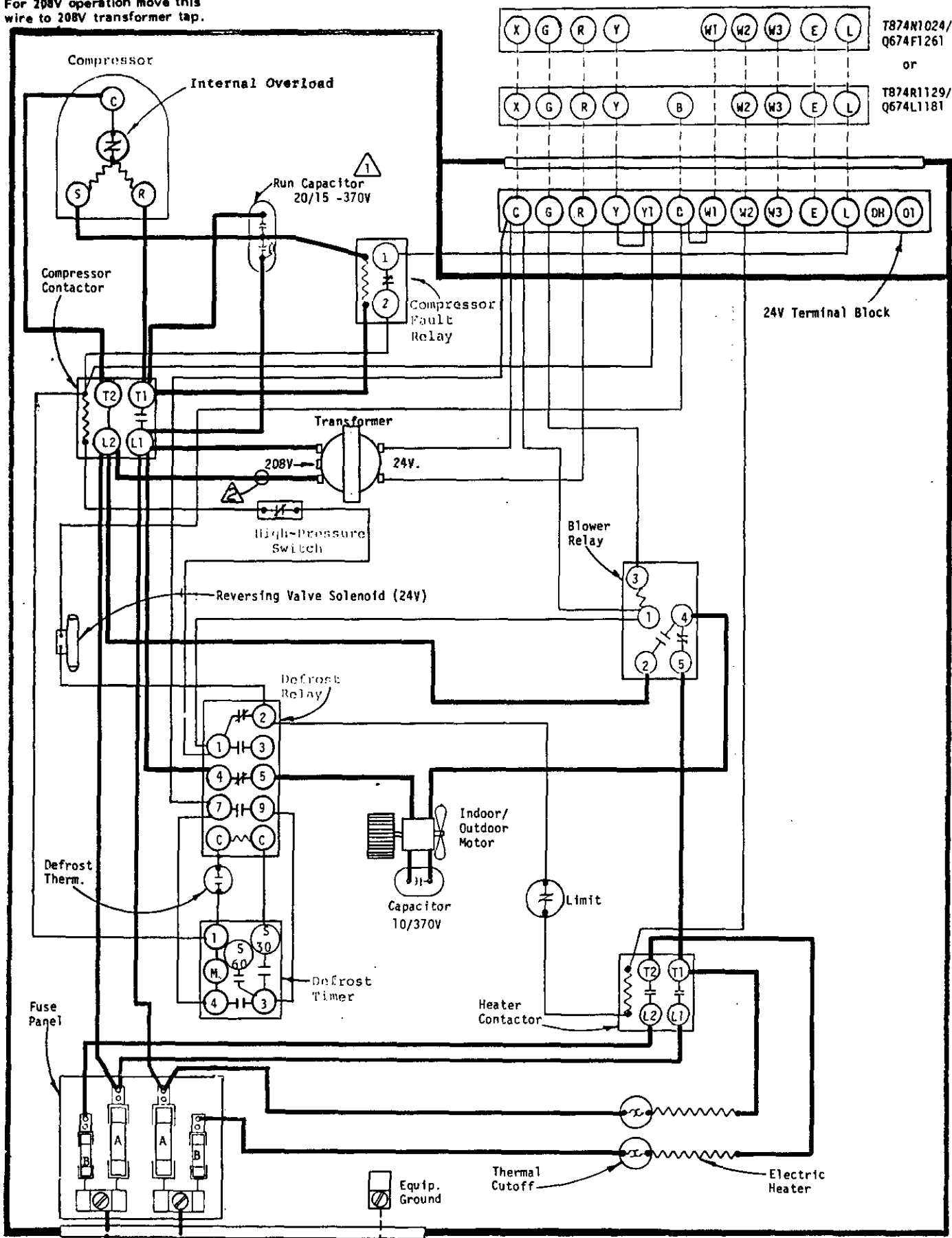
230/208-60-1

USE COPPER OR ALUMINUM WIRE

Fuse A - 60A Time Delay  
Fuse B - 30A Standard

4003 1301

- ⚠️ Capacitor provides off-cycle crankcase heat.
- ⚠️ For 208V operation move this wire to 208V transformer tap.



230/208-60-1

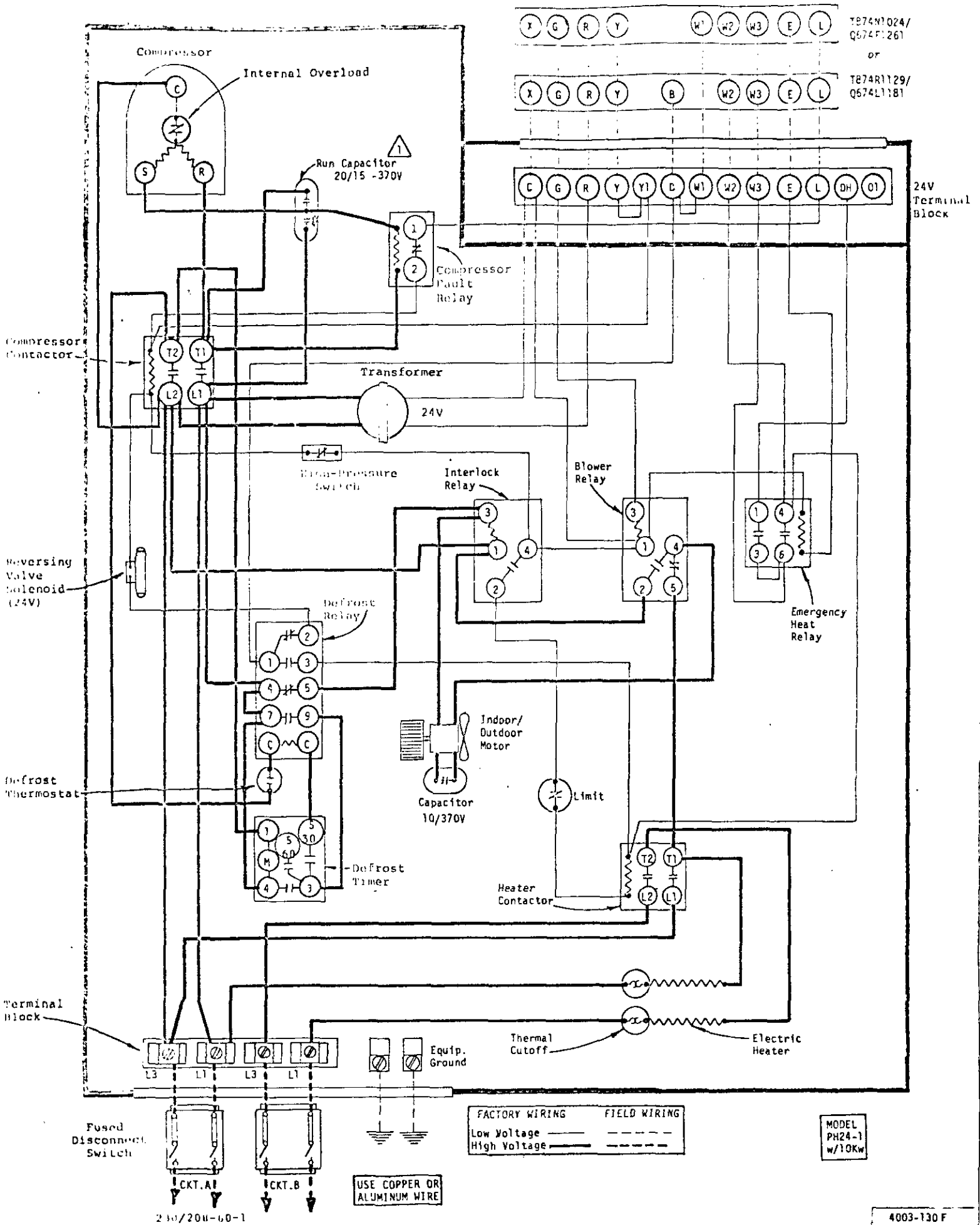
USE COPPER OR ALUMINUM WIRE

FACTORY WIRING	FIELD WIRING
Low Voltage ———	-----
High Voltage ———	-----

Fuse A - 60A Time Delay  
 Fuse B - 30A Standard

MODEL PH24-2 w/10Kw

⚠ Capacitor provides off-cycle crankcase heat.

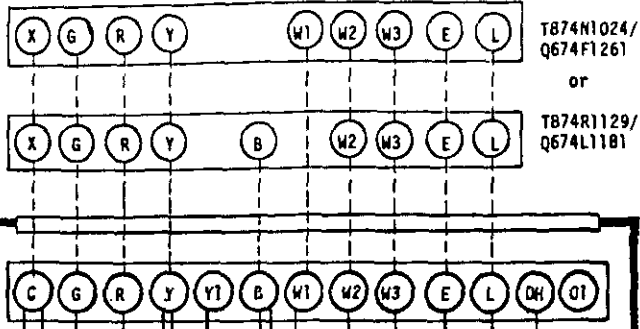
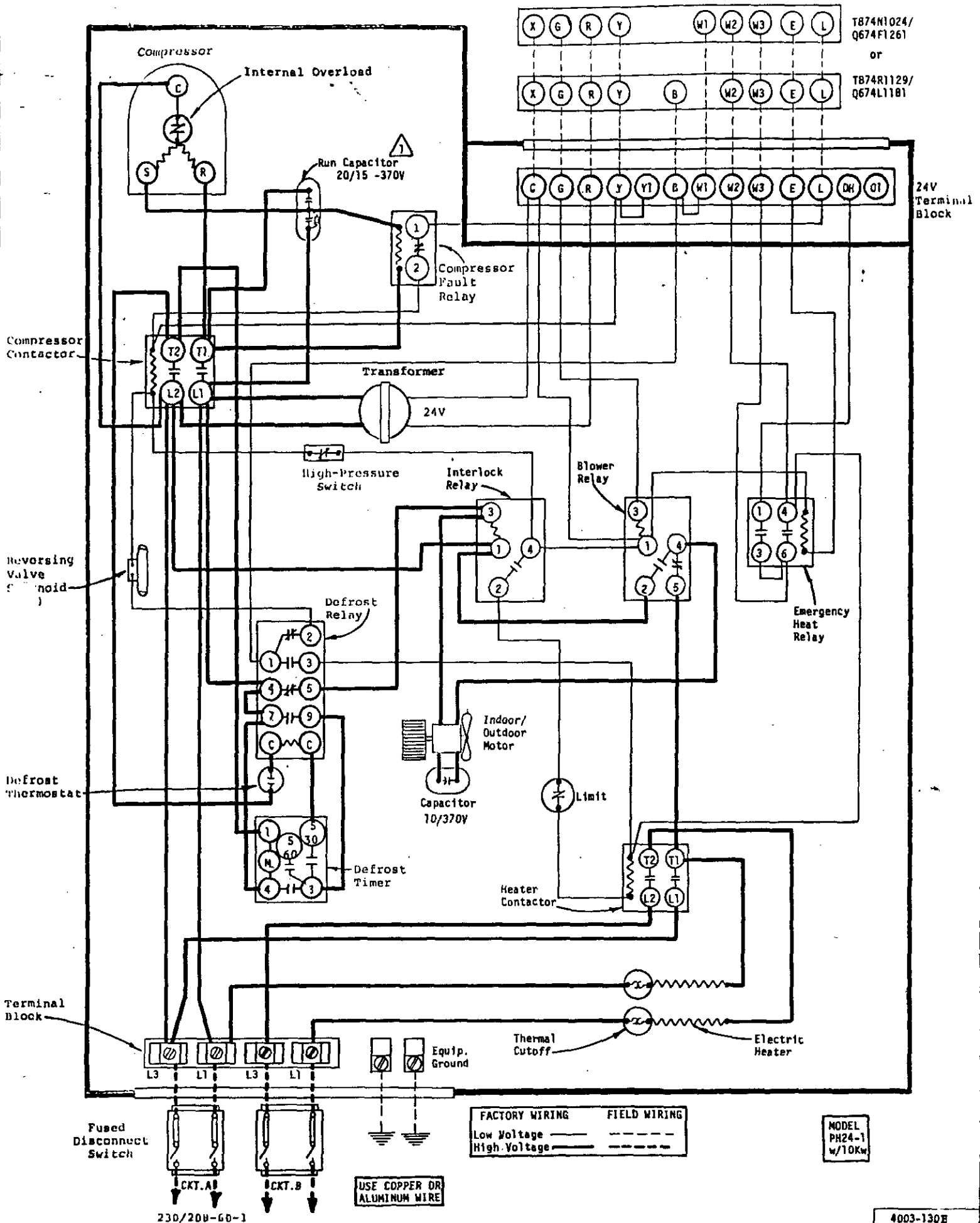


MODEL PH24-1 w/10Kw

4003-130 F

044  
327

⚠ Capacitor provides off-cycle crankcase heat.

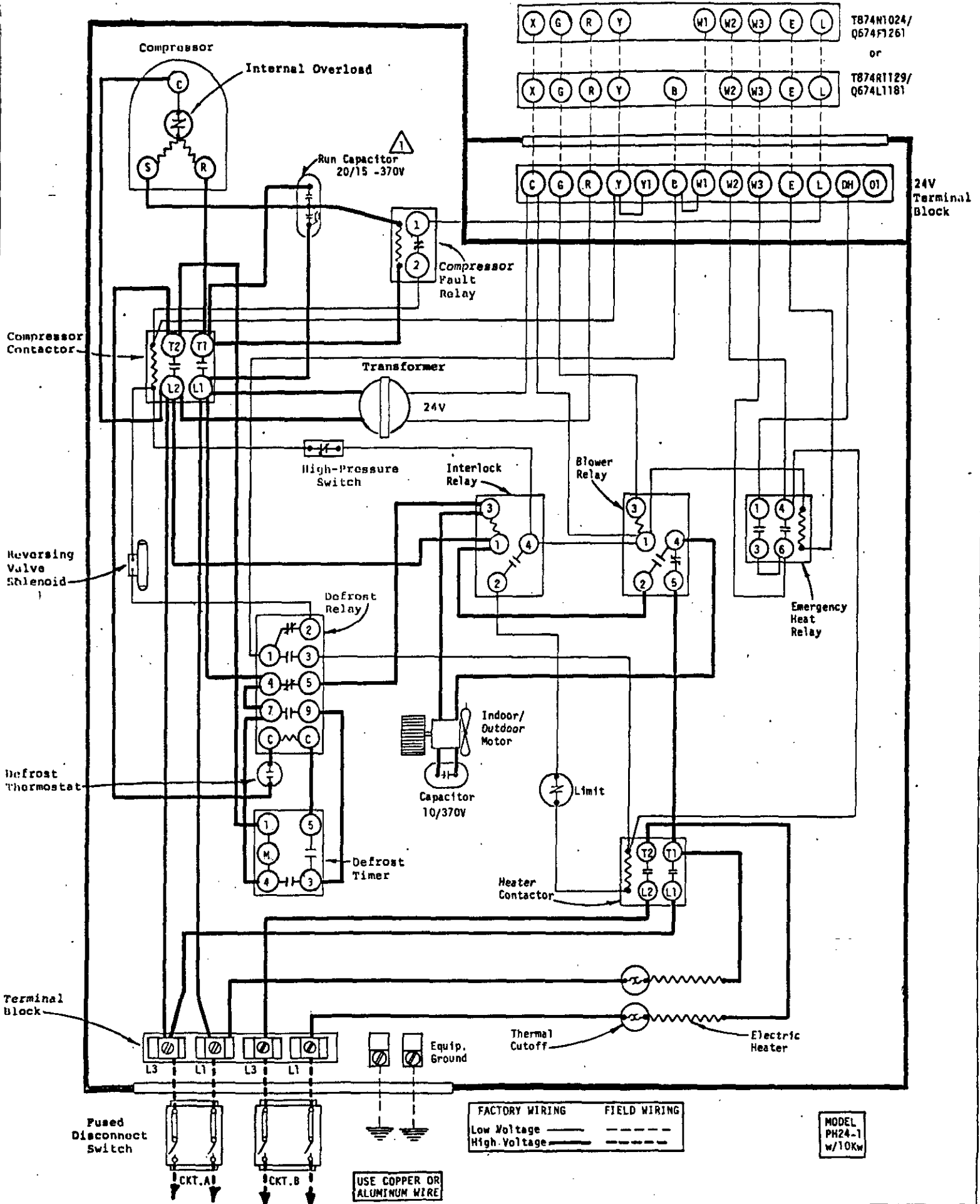


FACTORY WIRING		FIELD WIRING	
Low Voltage	————	-----	-----
High Voltage	————	-----	-----

MODEL  
PH24-1  
w/10Kw

USE COPPER OR  
ALUMINUM WIRE

⚠ Capacitor provides off-cycle crankcase heat.



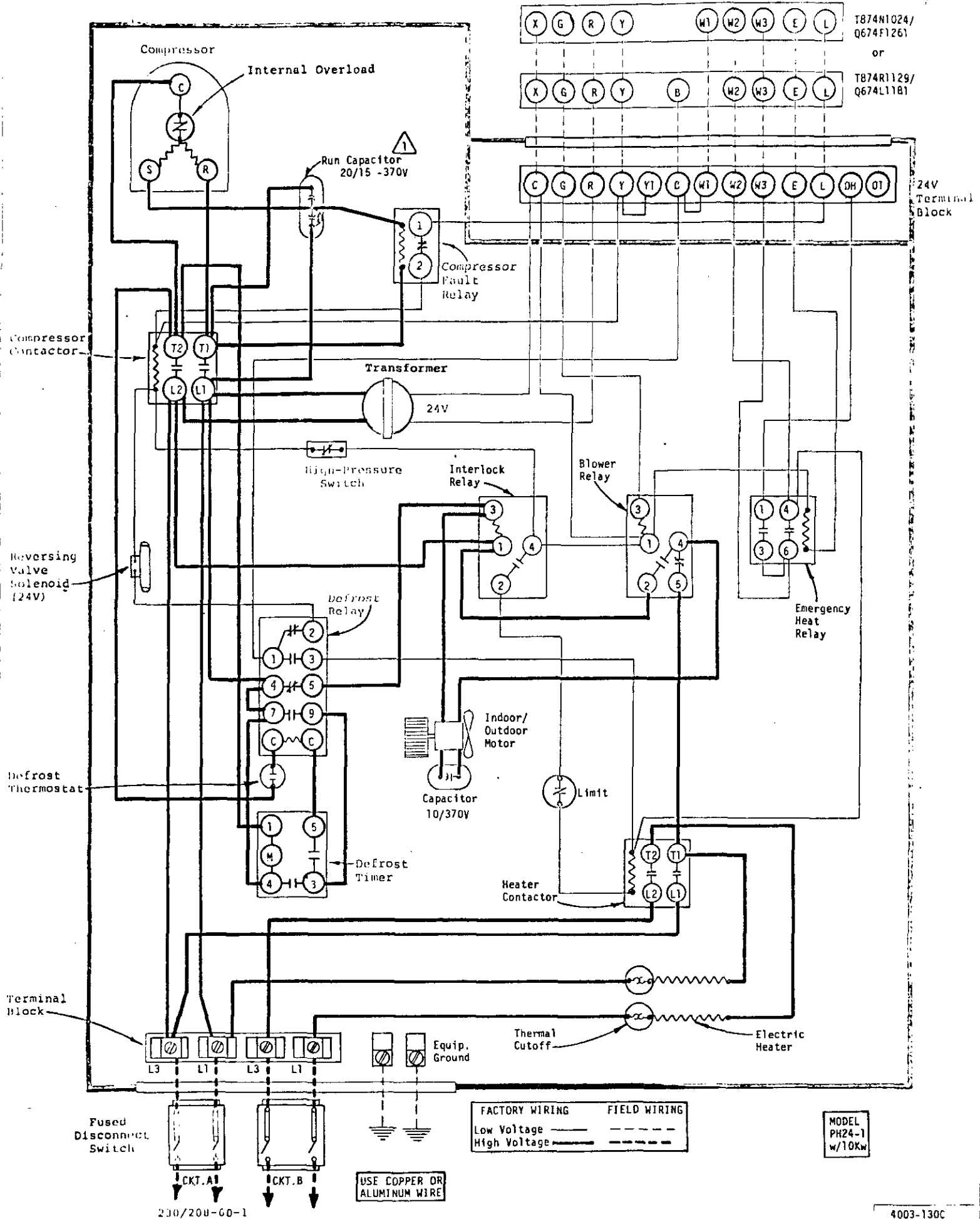
230/208-60-1

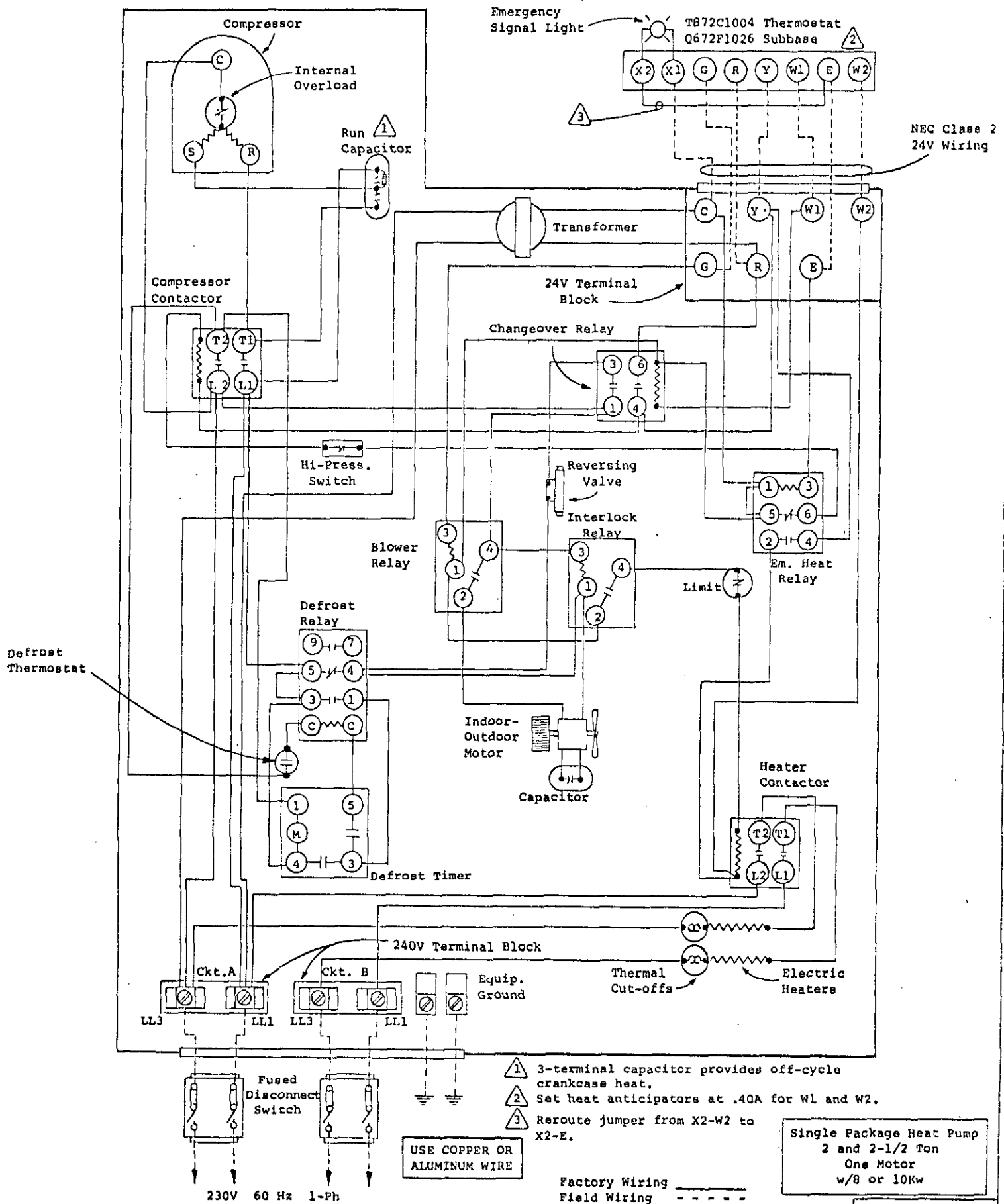
USE COPPER OR ALUMINUM WIRE

MODEL PH24-1 w/10Kw

4003-130D

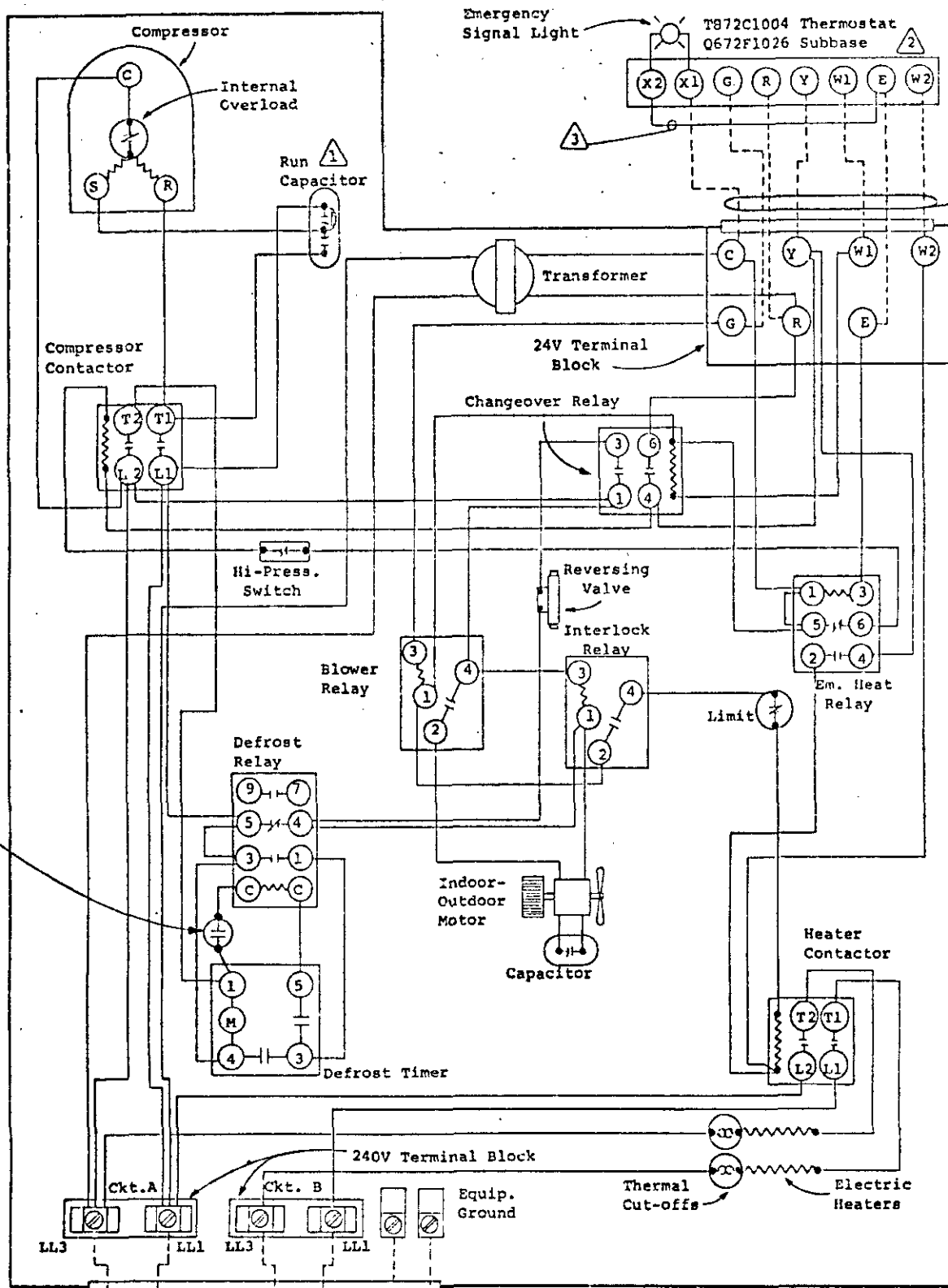
⚠ Capacitor provides off-cycle crankcase heat.





- ① 3-terminal capacitor provides off-cycle crankcase heat.
- ② Set heat anticipators at .40A for W1 and W2.
- ③ Reroute jumper from X2-W2 to X2-E.





Emergency Signal Light

T972C1004 Thermostat  
Q672F1026 Subbase

X2 X1 G R Y W1 E W2

NEC Class 2  
24V Wiring

Defrost  
Thermostat

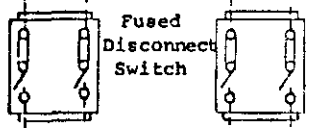
- ⚠ 3-terminal capacitor provides off-cycle crankcase heat.
- ⚠ 2 Set heat anticipators at .40A for W1 and W2.
- ⚠ 3 Reroute jumper from X2-W2 to X2-E.

USE COPPER OR ALUMINUM WIRE

Factory Wiring ———  
Field Wiring - - - - -

Single Package Heat Pump  
2 and 2-1/2 Ton  
One Motor  
w/8 or 10kw

230V 60 Hz 1-Ph



Equip. Ground

Thermal Cut-offs

Electric Heaters

240V Terminal Block

Defrost Relay

Defrost Timer

Indoor-  
Outdoor  
Motor

Capacitor

Reversing  
Valve

Interlock  
Relay

Blower  
Relay

Hi-Press.  
Switch

Changeover Relay

24V Terminal  
Block

Transformer

Run  
Capacitor

Compressor  
Contactor

Compressor

Internal  
Overload