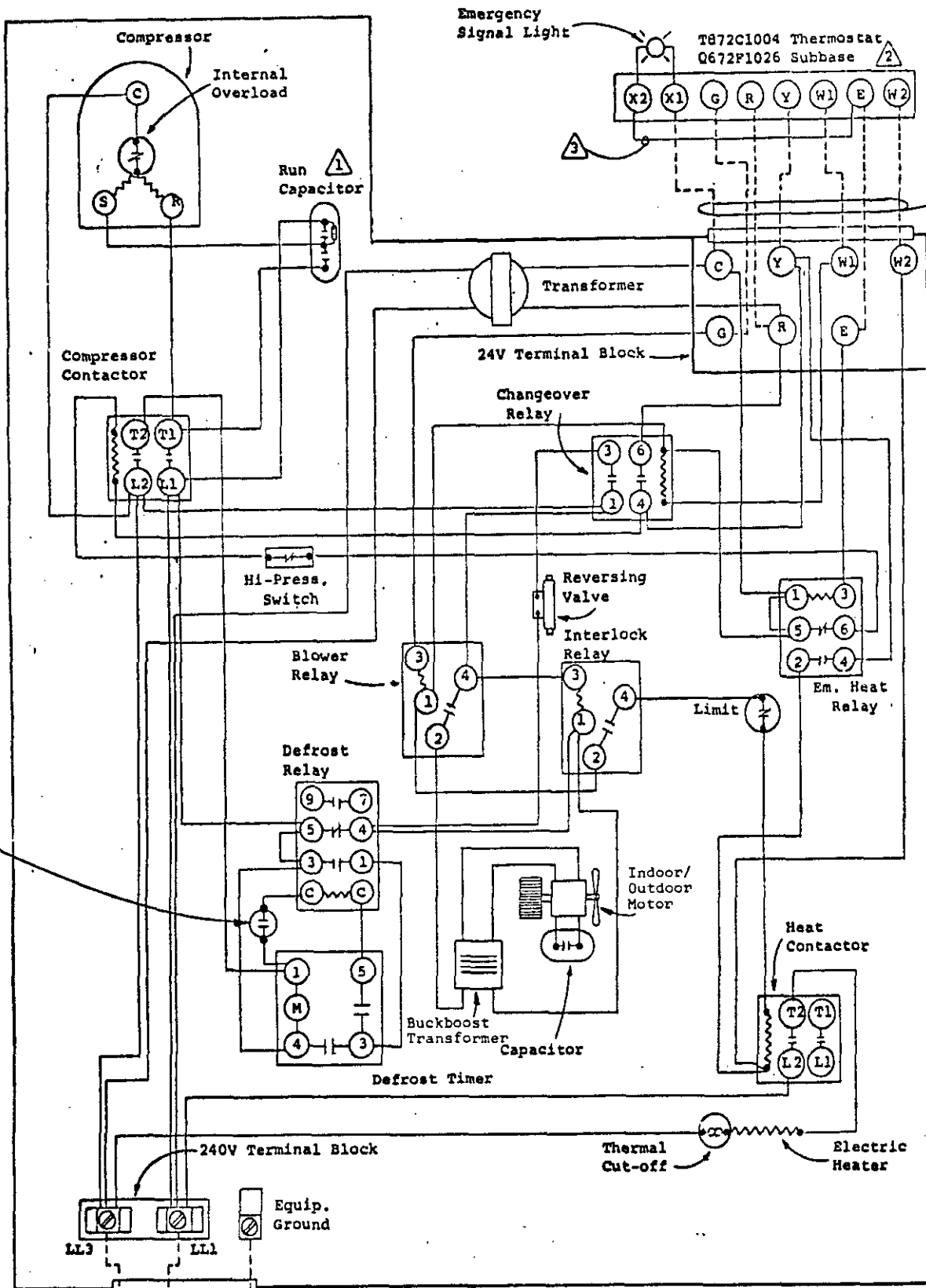


- ⚠ 3-terminal capacitor provides off-cycle crankcase heat.
- ⚠ Set heat anticipators at .40A for W1 and W2.
- ⚠ Reroute jumper from X2-W2 to X2-E.



NEC Class 2
24V Wiring

Defrost
Thermostat

Fused
Disconnect
Switch

USE COPPER OR
ALUMINUM WIRE

- ⚠ 3-terminal capacitor provides off-cycle crankcase heat.
- ⚠ Set heat anticipators at .40A for W1 and W2.
- ⚠ Reroute jumper from X2-W2 to X2-E.

Single Package Heat Pump
2 and 2-1/2 Ton
One Motor
w/5Kw

240/22C-50-1

Factory Wiring ———
Field Wiring - - - - -